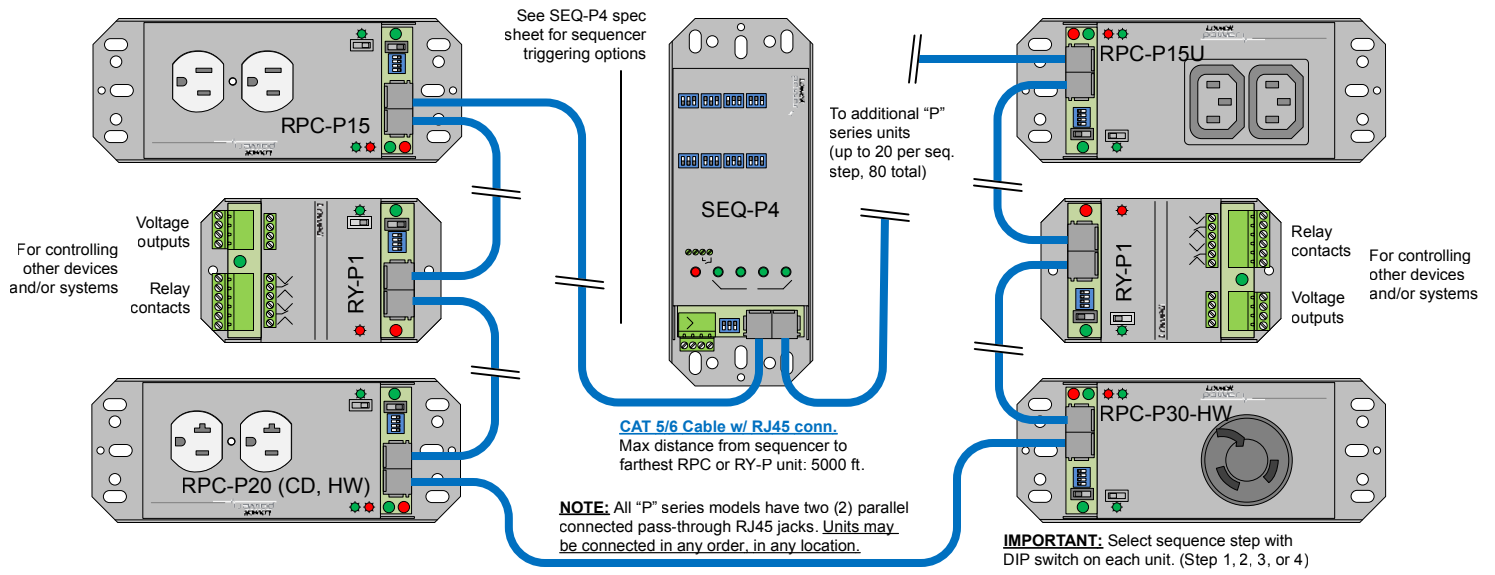


Application Diagram A: SEQ-P4 sequencer can control up to 80 RPC-P and/or RY-P Series units (20 per step) using the pass-through connections.



Application Diagram B: SEQ-P4 sequencer can be used with RY-P series relays to control RPC Series (Classic) units. (Theoretical maximum: 16,000 units)

