



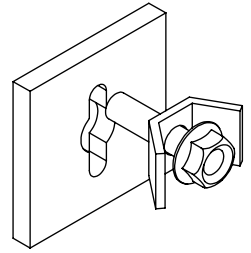
## WALL RACK LWR SERIES INSTALL / CHANGE OVER SHEET

### LWR SERIES

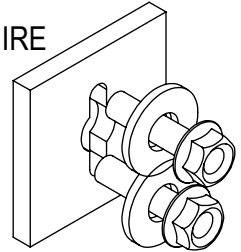
MOUNTING SLOTS PER MODEL      LOAD PER MODEL

UNIT	# OF SLOTS	LOAD PER MODEL
7	4	125
10	4	150
12	4	150
16	6	200
21	6	250
24	6	300
35	8	300

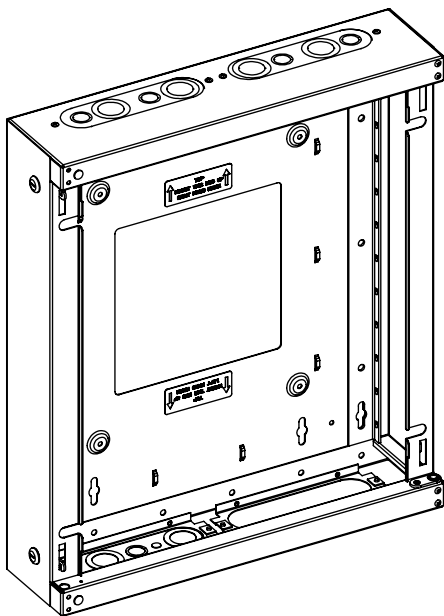
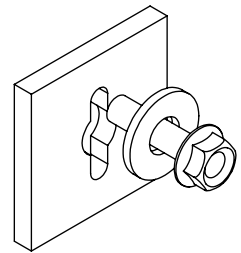
CONCRETE BLOCK INSTALLATION  
USE 3/8 TOGGLE BOLT WITH WASHER  
IN TOP PART OF EACH KEYHOLE  
SLOT IN REAR OF UNIT



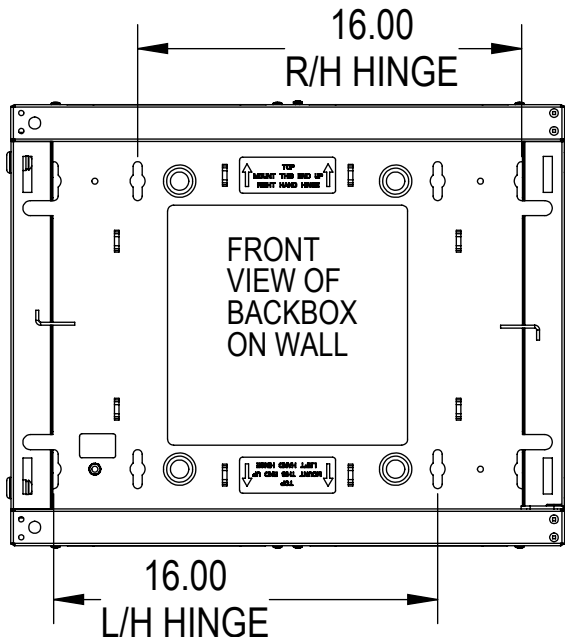
STEEL STUD INSTALLATION  
USE #10 SHEET METAL SCREWS AND WASHERS  
IN TOP PART OF EACH KEYHOLE SLOT IN  
UNIT. HINGE SIDE KEYHOLE SLOTS REQUIRE  
2 FASTENERS EACH.



WOOD STUD INSTALLATION  
USE 5/16 X 2" LAG BLOT WITH WASHER  
IN EACH KEYHOLE SLOT IN REAR  
OF UNIT



R/H SWING REF  
HINGE SIDE  
MUST BE ANCHORED  
THROUGH REINFORCED  
AREA AS SHOWN.



1. "The equipment shall be installed or serviced by trained service personnel in accordance with the applicable requirements of the National Electrical Code, ANSI/NFPA 70 or Canadian Electrical Code and the applicable sections of ANSI C2, the National Electrical Safety Code. The instruction shall not result in the risk of fire, electric shock, or injury to person".

2. "Ambient Temperature- LOWELL racks maximum specified operating ambient of 50 °C so that the installer is able to determine acceptability of use of Accessories and components in the operating state".

ALL FASTENING AND ANCHORING METHODS TO BE SPECIFIED BY SITE ENGINEERS / INSPECTOR AS REQUIRED