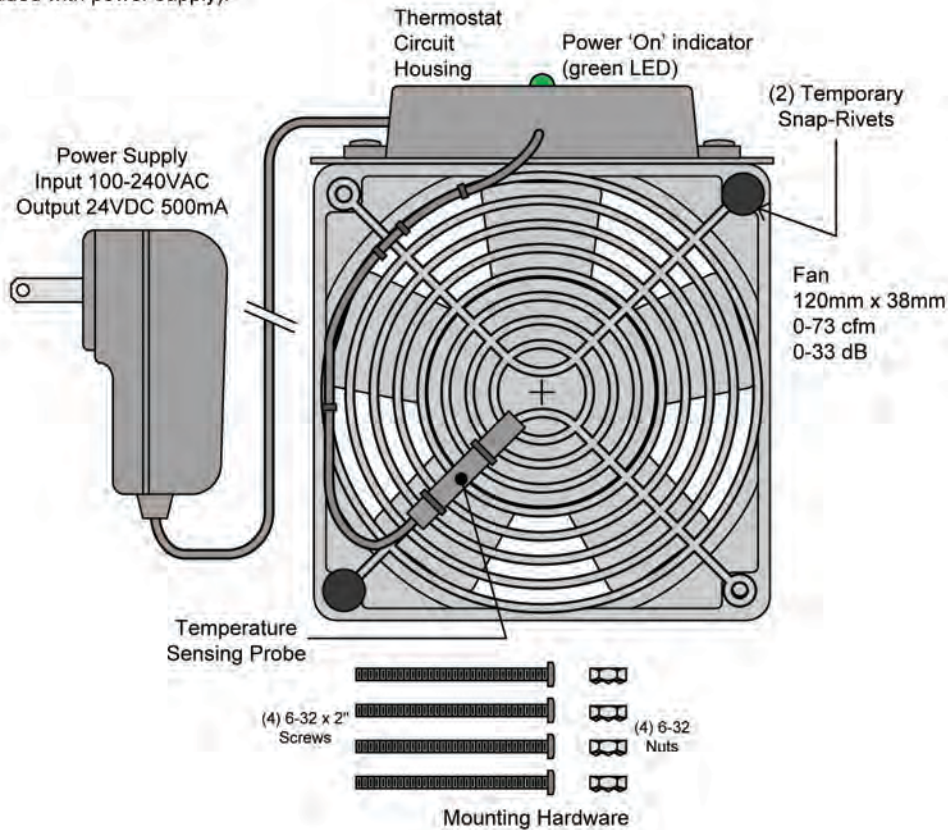
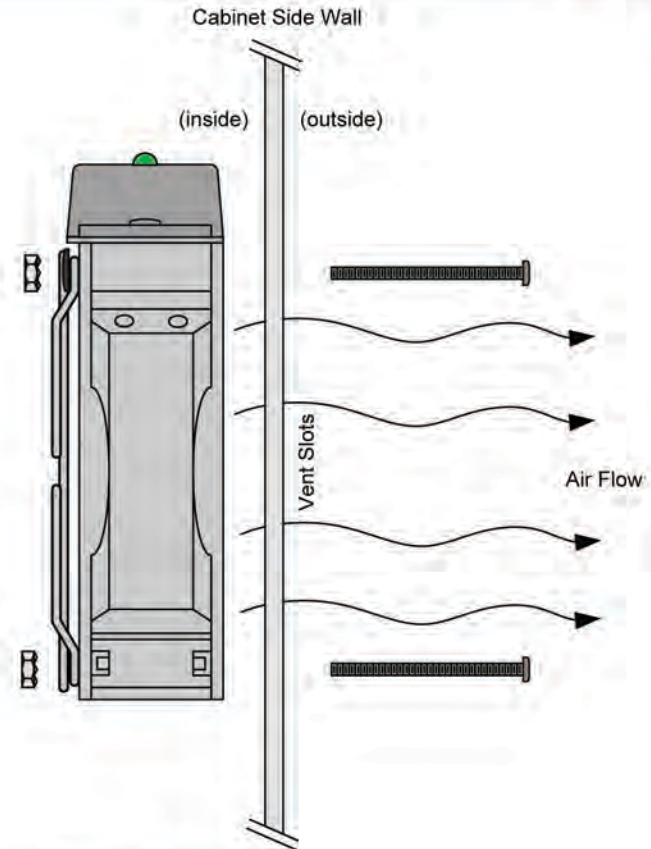
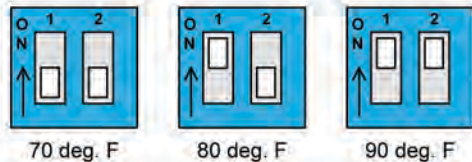


NOTE: If unit is to be used in the central EU or the UK, remove US plug and replace with appropriate adaptor (included with power supply).



NOTE: Thermostat is factory set to turn on fan at approx. 80 deg. F. Turn-on temperature threshold can be changed by opening thermostat circuit housing (remove two screws) and changing switch settings as shown below.



**INSTALLATION STEPS:**

- 1) Position fan kit over ventilation slots in cabinet with finger guard grille facing inside of cabinet.
- 2) Install two (2) 6-32 x 2" screws through cabinet side and fan body into holes *opposite* the holes occupied by snap-rivets. Install nuts on screws finger tight.
- 3) Remove snap-rivets (Push out from behind with finger tip.)
- 4) Install remaining two (2) screws and nuts into holes previously occupied by snap-rivets.
- 5) Place the snap-rivets in your pocket; you may think of some future use for them.
- 6) Tighten all screws securely.
- 7) Plug power supply into appropriate receptacle.
- 8) Verify that green LED power indicator is 'on'.

Note: Power supply has a 1-3 second turn-on delay. Fan will at first turn on at full speed for 1-2 seconds as a self test and then revert to whatever speed is indicated by thermostat.