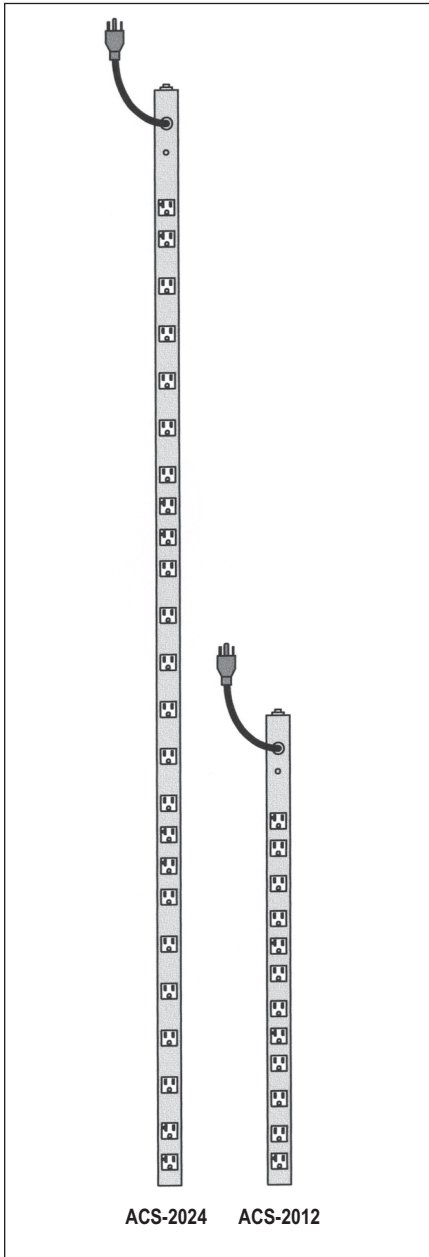
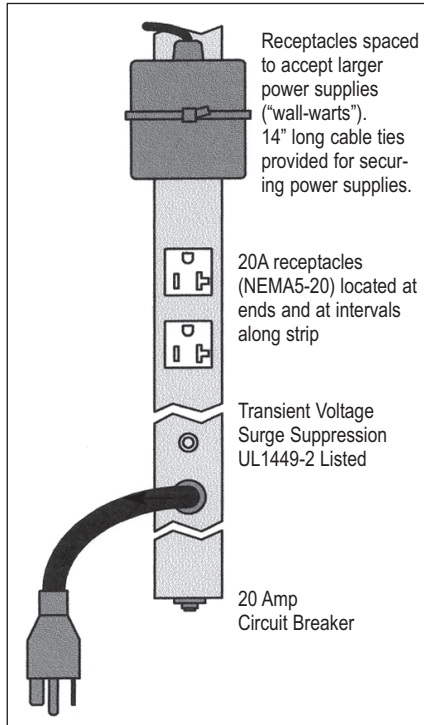


Installation Instructions

Models



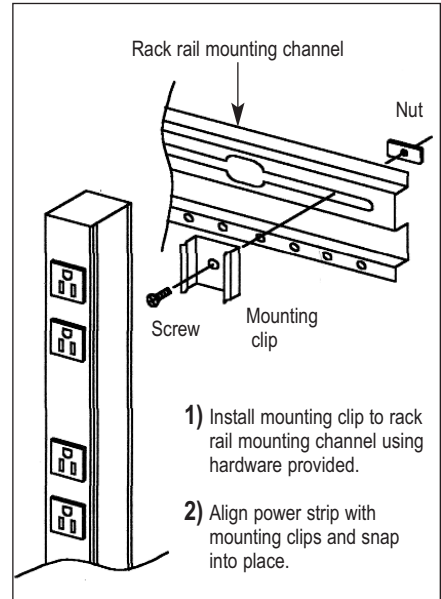
Features



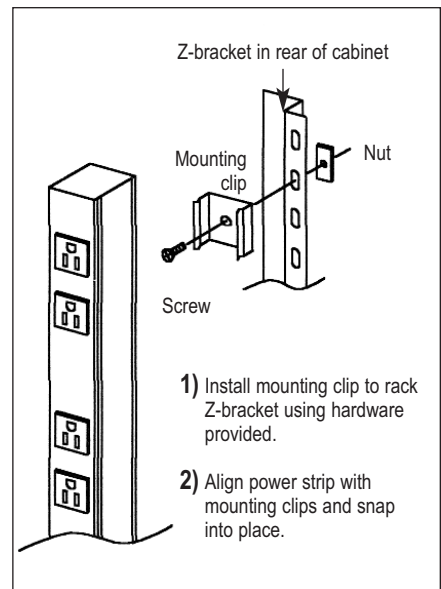
Surge Protection Specifications

Suppressed voltage rating	..330V
Energy dissipation450 Joules
(8 x 20us waveform)
Lines protectedL-N, L-G, N-G
Maximum surge6000V
Maximum peak current6500 Amperes
(H-N, H-G, N-G)
Response timeLess than one (1)
nanosecond
Noise filteringEMI / RFI
IndicatorLED is on when
protection is active

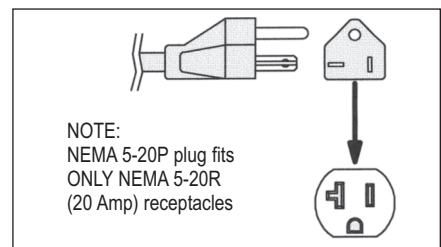
Installation



Easy installation into Lowell cabinets and racks with adjustable mounting rails.



Easy installation into Lowell cabinets with fixed mounting rails.



Model Specifications

ACS-2024	ACS-2012
20 Amp	20 Amp
24 outlets	12 outlets
125 VAC	125 VAC
70"L	30"L
1.5"W	1.5"W
1.625"D	1.625"D
12 ft. cord	12 ft. cord

