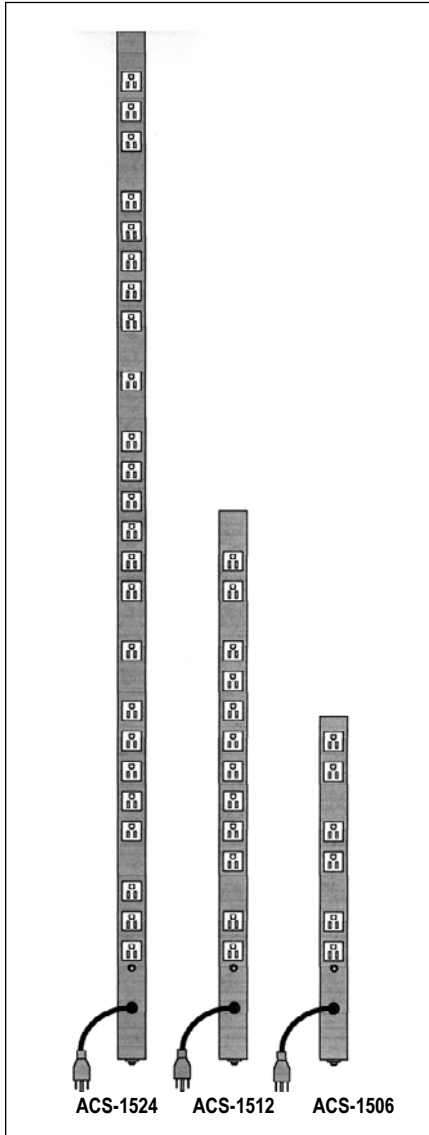


## Installation Instructions

### Models

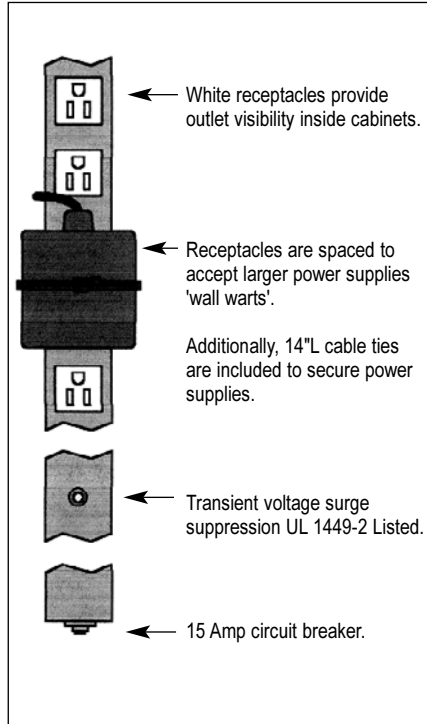


ACS-1524    ACS-1512    ACS-1506

### Model Specifications

| ACS-1524    | ACS-1512    | ACS-1506   |
|-------------|-------------|------------|
| 15 Amp      | 15 Amp      | 15 Amp     |
| 24 outlets  | 12 outlets  | 6 outlets  |
| 125 VAC     | 125 VAC     | 125 VAC    |
| 60"L        | 32"L        | 20"L       |
| 1.5"W       | 1.5"W       | 1.5"W      |
| 1.625"D     | 1.625"D     | 1.625"D    |
| 12 ft. cord | 12 ft. cord | 6 ft. cord |

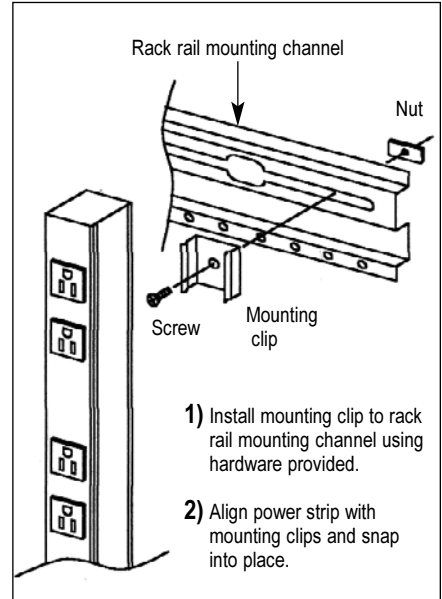
### Features



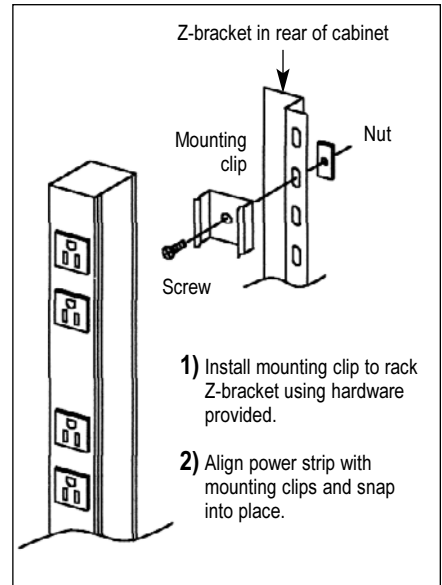
### Surge Protection Specifications

|                           |                           |
|---------------------------|---------------------------|
| Suppressed voltage rating | ..330V                    |
| Energy dissipation        | .....450 Joules           |
|                           | .....(8 x 20us waveform)  |
| Lines protected           | .....L-N, L-G, N-G        |
| Maximum surge             | .....6000V                |
| Maximum peak current      | .....6500 Amperes         |
|                           | .....(H-N, H-G, N-G)      |
| Response time             | .....Less than one (1)    |
|                           | .....nanosecond           |
| Noise filtering           | .....EMI / RFI            |
| Indicator                 | .....LED is on when       |
|                           | .....protection is active |

### Installation



Easy installation into Lowell cabinets and racks with adjustable mounting rails.



Easy installation into Lowell cabinets with fixed mounting rails.

