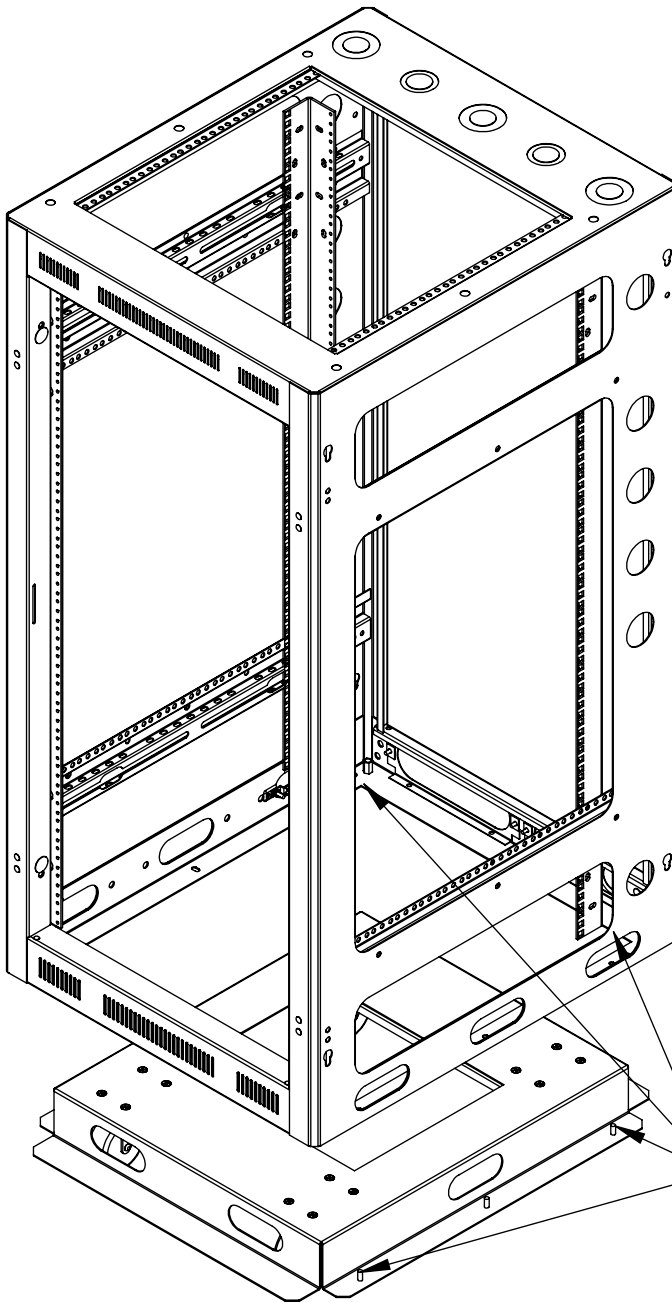


# GENERIC BASE INSTALL SHEET

## LOWELL FLOOR SERIES



### BASE LOADING:

INSERT BASE STUDS  
(6) PLCS THROUGH  
MATING HOLES IN  
BOTTOM OF CABINET  
AND SECURE USING  
HARDWARE PROVIDED.

REFERENCE FOR  
BASE STUDS AND  
NUTS ON EACH  
SIDE OF BASE

### ANCHORING NOTES:

WHEN ANCHORING USE FOUR (4) BOTTOM  
CORNER MOUNTING HOLES IN THE RACK.  
ALL FASTENERS AND ANCHORING METHODS TO BE  
SPECIFIED BY SITE ENGINEERS / INSPECTORS  
AS REQUIRED