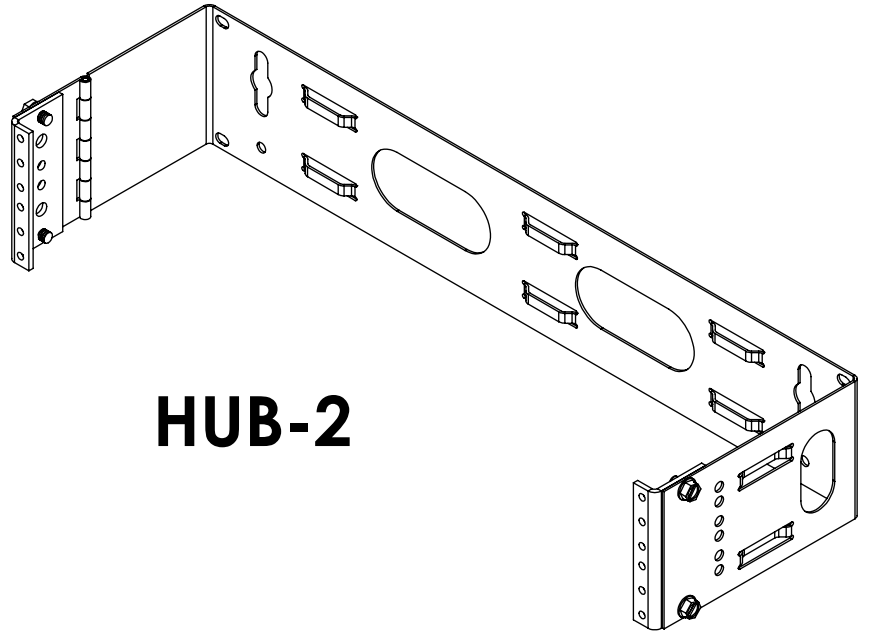


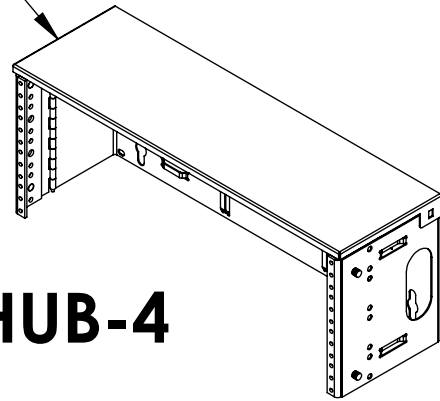
HUB INSTALL SHEET

PN: 23502



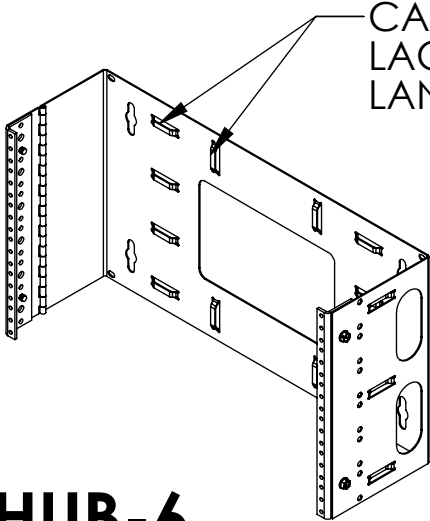
HUB-2

OPTIONAL
COVER/SHELF



HUB-4

CABLE
LACING
LANCES



HUB-6

- FINISH (SEMI-GLOSS BLACK)
- MATERIALS: RACK AND HINGE 16 GA STEEL
RAILS 11 GA TAPPED WITH
10-32 HOLES (EIA SPACING)
- RACK SCREWS AND VELCRO STRAPS INCLUDED
- 16IN MOUNTING KEYHOLE, LEFT OR RIGHT SWING
- 19 IN OPEN FRAME RACKMOUNT CAPABILITY