

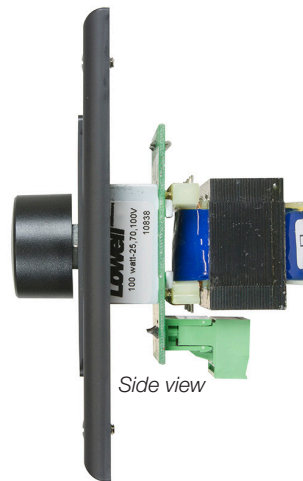
Model No.

# 100LVC-DB

Volume Control

**INCLUDES:**

- 100W attenuator
- 1-gang decora-style wall plate
- Rotary knob



100W ATTENUATOR provides precise level adjustment of single or multiple speaker lines. This unit includes a one-gang decora-style black wall plate with rotary knob.

## FEATURES

**DESCRIPTION:** Mono autoformer attenuator for use with 25V/70V speaker line

**POWER RATING:** 100W

**ATTENUATION:** 3dB per step (33dB total with two steps of 6dB each before off)

**TERMINATION:** Phoenix-style plug-in screw termination strips for pre-wire convenience

**WIRE CAPACITY:** Up to 14-gauge

**SWITCH TYPE:** Rotary knob, black

**SWITCH POSITIONS:** Non-continuous rotation, 0-max (10)

**WALL PLATE:** One-gang decora-style wall plate, black. 2.75 in. x 4.5 in.

**INSTALLATION:** Designed to fit a one-gang EO box with minimum inside dimensions of 1.875-in.W x 2.688-in.H x 2.125-in.D (not included)

**COMPLIANCE & CERTIFICATIONS:**

- ETL Listed. Conforms to UL 60065 / UL 2043. Certified to CSA 22.2 #60065.
- Assembled in the USA with global components
- Trade Agreements Act (TAA) compliant

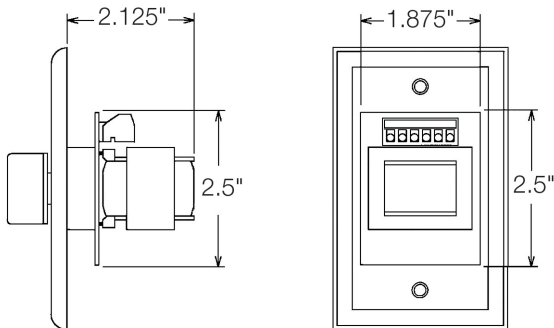
## A&E SPECIFICATIONS

The mono autoformer attenuator volume control shall be Lowell model 100LVC-DB, which shall have a 100W power rating and attenuation of 3dB per step with two steps of 6dB each before off. It shall feature a one-gang decora-style black wall plate (2.75 in. x 4.5 in.) with printing, and rotary knob with non-continuous rotation (0-max). The unit shall be able to mount in an EO box with minimum inside dimensions of 1.875-in.W x 2.688-in.H x 2.125-in.D (not included). It shall be Assembled in USA with global components. The control shall be ETL Listed and Trade Agreement Act (TAA) compliant.

## OPTIONS

**P1X:** One-gang surface-mount steel wall box with knockouts and white powder-coat finish. Includes U-clips.

## TECHNICAL DRAWINGS



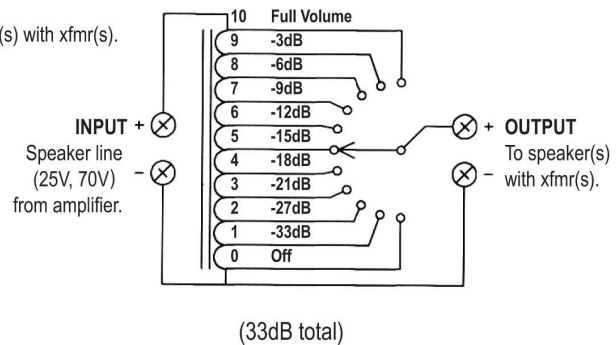
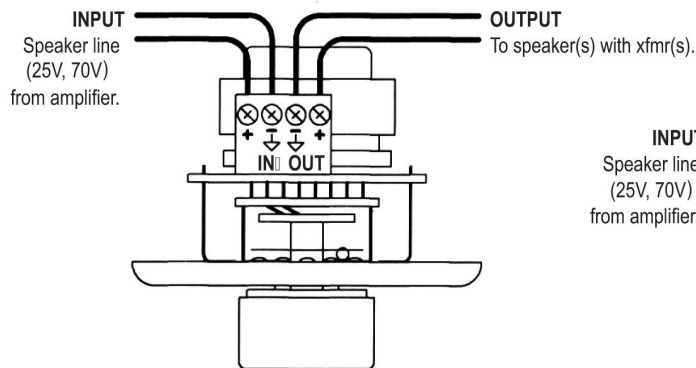
### Mounts E.O. Boxes:

- Lowell surface box (P1X)
- 4" Sq. x 2.125"D with raised mud ring (RACO 232, 235, or equiv.)
- One-gang handy box 2.125"D (RACO 670, 671, 678, or equiv.)

**Note:** Lowell 100W LVC volume controls are deeper than other LVC models so a one-gang handy box will allow only minimal room for control and wiring.

Models with a decorator style wall plate used in multi-device installations (multi-gang trim plate by others) also accept:

- Two-gang switch box 2.125"D (RACO 680, 681, 683, 685, or equiv.)
- Multi-gang switch box 2.5"D (RACO 686, 687, or equiv.)



## OVERVIEW: MONO ATTENUATORS

THIS SPEC

Model No.	Power Rating	Attenuation Steps/Total *	VC Type	Priority Relay	Mount Type **	Plate Size	Color	Switch	Listing	For Use With speaker line	TAA Compliant
10LVC	10 W	3dB/33dB	autoformer	---	standard wall plate	1-gang	ss	knob	----	25V/70V	no
25LVC	25 W	3dB/33dB	autoformer	---	standard wall plate	1-gang	ss	knob	ETL	25V/70V	yes
25LVC-SW	25 W	3dB/33dB	autoformer	---	standard wall plate	1-gang	white	knob	ETL	25V/70V	yes
25LVC-DB	25 W	3dB/33dB	autoformer	---	decorator wall plate	1-gang	black	knob	ETL	25V/70V	yes
25LVC-DW	25 W	3dB/33dB	autoformer	---	decorator wall plate	1-gang	white	knob	ETL	25V/70V	yes
25LVC-RM	25 W	3dB/33dB	autoformer	---	adhesive label	---	black	knob	ETL	25V/70V	yes
50LVC	50 W	3dB/33dB	autoformer	---	standard wall plate	1-gang	ss	knob	ETL	25V/70V	yes
50LVC-DB	50 W	3dB/33dB	autoformer	---	decorator wall plate	1-gang	black	knob	ETL	25V/70V	yes
50LVC-DW	50 W	3dB/33dB	autoformer	---	decorator wall plate	1-gang	white	knob	ETL	25V/70V	yes
50LVC-RM	50 W	3dB/33dB	autoformer	---	adhesive label	---	black	knob	ETL	25V/70V	yes
100LVC	100 W	3dB/33dB	autoformer	---	standard wall plate	1-gang	ss	knob	ETL	25V/70V	yes
100LVC-DB	100 W	3dB/33dB	autoformer	---	decorator wall plate	1-gang	black	knob	ETL	25V/70V	yes
100LVC-DW	100 W	3dB/33dB	autoformer	---	decorator wall plate	1-gang	white	knob	ETL	25V/70V	yes
100LVC-DSB	100 W	3dB/33dB	autoformer	---	decorator wall plate	1-gang	ss / black	knob	ETL	25V/70V	yes
100LVC-RM	100 W	3dB/33dB	autoformer	---	adhesive label	---	black	knob	ETL	25V/70V	yes
10015LVC	100 W	1.5dB/13.5dB	autoformer	---	standard wall plate	1-gang	ss	knob	ETL	25V/70V	yes
10015LVC-DB	100 W	1.5dB/13.5dB	autoformer	---	decorator wall plate	1-gang	black	knob	ETL	25V/70V	yes
10015LVC-DW	100 W	1.5dB/13.5dB	autoformer	---	decorator wall plate	1-gang	white	knob	ETL	25V/70V	yes
10015LVC-RM	100 W	1.5dB/13.5dB	autoformer	---	adhesive label	---	black	knob	ETL	25V/70V	yes
100LVC-PA	100 W	3dB/33dB	autoformer	yes	standard wall plate	1-gang	ss	knob	ETL	25V/70V	yes
100LVC-PA-DB	100 W	3dB/33dB	autoformer	yes	decorator wall plate	1-gang	black	knob	ETL	25V/70V	yes
100LVC-PA-DW	100 W	3dB/33dB	autoformer	yes	decorator wall plate	1-gang	white	knob	ETL	25V/70V	yes
100LVC-PA-RM	100 W	3dB/33dB	autoformer	yes	adhesive label	---	black	knob	ETL	25V/70V	yes
KL100-DW	100 W	3dB/33dB	autoformer	---	decorator wall plate	1-gang	white	key	ETL	25V/70V	yes
KL100-DSB	100 W	3dB/33dB	autoformer	---	decorator wall plate	1-gang	ss / black	key	ETL	25V/70V	yes
200LVC	200 W	3dB/33dB	autoformer	---	standard wall plate	2-gang	ss	knob	ETL	70V	yes
200LVC-DSB	200 W	3dB/33dB	autoformer	---	decorator wall plate	2-gang	ss / black	knob	ETL	70V	yes
200LVC-RM	200 W	3dB/33dB	autoformer	---	adhesive label	---	black	knob	ETL	70V	yes
200LVC-RMDB	200 W	3dB/33dB	autoformer	---	subplate	---	black	knob	ETL	70V	yes
KL100-PA-DSB	100 W	3dB/33dB	autoformer	yes	decorator wall plate	1-gang	ss / black	key	ETL	70V	yes
KL100-PA-DSW	100 W	3dB/33dB	autoformer	yes	decorator wall plate	1-gang	ss / white	key	ETL	70V	yes
KL200-DSB	200W	3dB/33dB	autoformer	---	decorator wall plate	2-gang	ss / black	key	ETL	70V	yes
SVC100-PA-DW	100W	3dB/33dB	autoformer	yes	decorator wall plate	1-gang	white	slide-bar	ETL	70V	yes

\* Note: Models with 33dB total have 2 steps of 6dB each before off. Models with 13.5dB total have 2 steps with 3dB each before off.

\*\* Adhesive labels are used in rackmount panels or custom applications. ss = stainless steel