



features

- **Panel Space:** 4U
- **Overall Depth:** 15.07" [383] with integral handle
- **Overall Width:** 19.00" [483]
- **Description:** Fully welded steel utility drawer mounts to front rails of 19" equipment racks using standard E.I.A. spacing.
- **Construction:** Fully-welded 16-gauge certified U.S. steel. Smooth black powder epoxy finish. Ball bearing slides for smooth operation.
- **Cable Management:** Plastic bushing in rear for wire pass-through (up to 1.06" diameter).
- **Hardware:** Mounting hardware is not included.
- **Origin:** Made in the U.S.A.
- **Compliance:** EIA/TIA compliant.
- **Load Capacity:** 50 lbs.
- **Options:**
 - **DFI-4:** Die-cut foam insert (4U x 15.5" x 14") is pre-scored with pick-and-pull sections to allow the user to create custom nests to secure specific pieces of equipment. Includes solid (3/8"H) foam bottom. Also available for 2U, or 3U drawer.
 - **CDM:** Non-slip perforated mat liner (15.5" x 14") provides a protective barrier for a drawer's metal surface.



Integral handle.



Rear bushing for cable pass-through.

a&e specifications

The rackmount utility drawer shall be Lowell Model #UDE-414, which shall be fully-welded 16-gauge certified U.S. steel with smooth black powder epoxy finish. The 19"W x 15.07"D x 4U drawer shall feature ball-bearing slides for smooth operation, an integral handle, and a plastic bushing in the rear for wire pass-through. Load capacity shall be 50 lbs. The drawer shall be made in the U.S.A.

Options

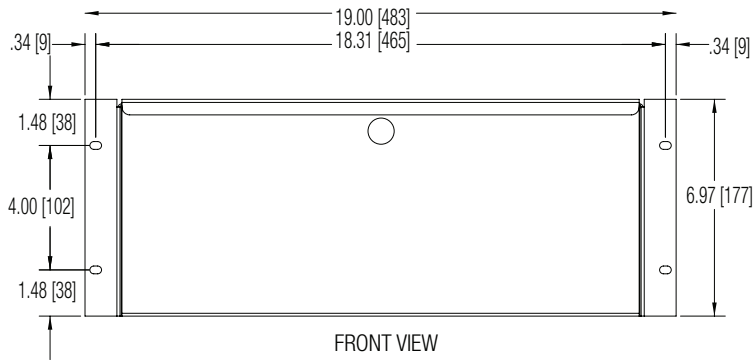
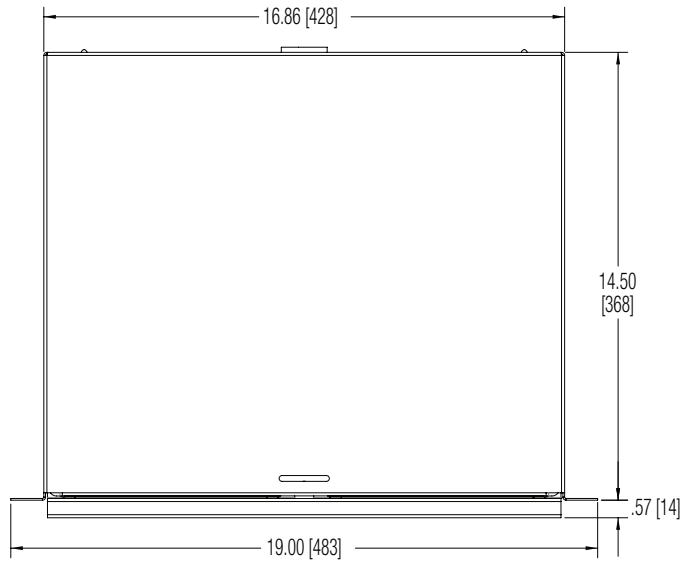
- The drawer shall include die-cut foam insert model #DFI-4 pre-scored with pick-and-pull sections. It shall measure 15.5" x 14" x 4 rack units.
- The drawer shall include a non-slip mat liner (15.5" x 14").

UDE series summary

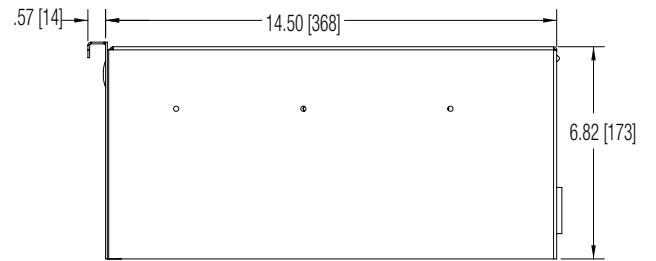
Model No.	Panel Space	Overall Height	Overall Width	Overall Depth	Drawer Width	Drawer Depth
UDE-214	2 U	3.47 [88]	19.00 [483]	15.07 [383]	16.86 [428]	14.5 [368]
UDE-314	3 U	5.22 [133]	19.00 [483]	15.07 [383]	16.86 [428]	14.5 [368]
► UDE-414	4 U	6.97 [177]	19.00 [483]	15.07 [383]	16.86 [428]	14.5 [368]

Dimension = inches [mm]
1U = 1.75"





FRONT VIEW



SIDE VIEW

