

ZERO SPACE SHELF FOR LPTR, LPOR, LXR RACKS

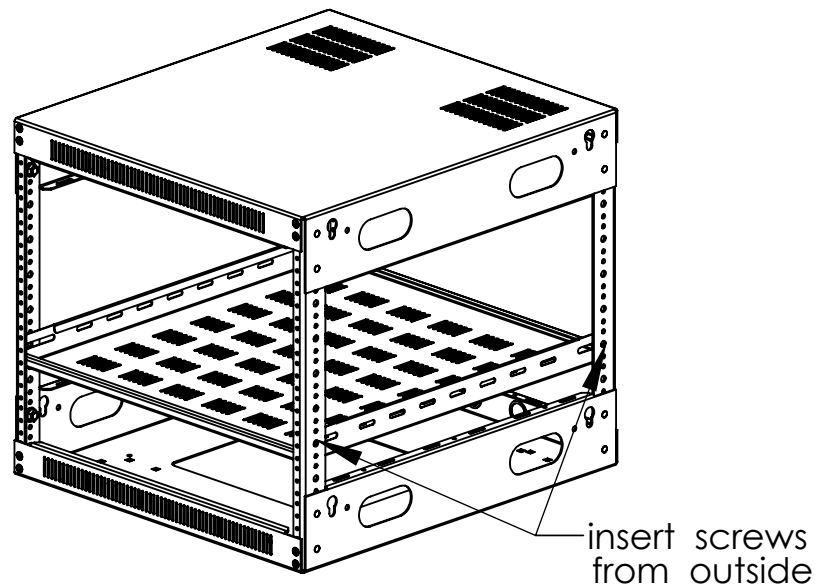
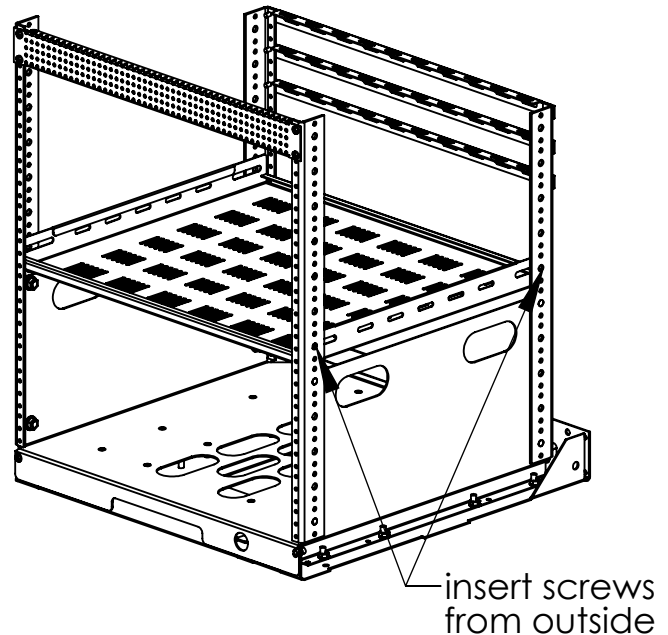
Center the shelf between the flanges on the right and left mounting rails both front and rear.

Align the slot in the shelf with larger holes (.312") in the mounting rails.

Install a 1/4-20 x .500" screw through the mounting rail and then through the slot in the shelf (qty:4).

Secure each screw with a 1/4-20 keps nut (qty:4).

L-brackets are also supplied to position the equipment on the shelf. Place the L-brackets to suit and secure the brackets to the shelf with 6-32 pan head screws (qty:3) and 6-32 keps nuts (qty:3).



HARDWARE SUPPLIED:

- 4 1/4-20 X .500" THMS (P/N: 15531)
- 4 1/4-20 KEPS NUT (P/N: 3913)
- 3 6-32 x 5/16" PHMS (P/N: 4340)
- 3 6-32 KEPS NUTS (P/N: 7876)
- 3 L-BRACKETS (P/N: 19141)

P/N: 20074