



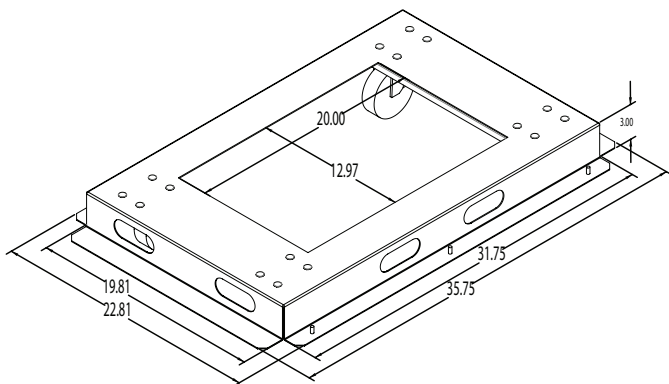
MADE IN THE USA



CERTIFIED US STEEL



The base features casters with a specially formulated rubber tread that won't mar fine floors.



features

- **Description:** Designed to mount inside a rack frame to provide mobility and a floor positioned flush to bottom rack space. Often specified to support extra heavy equipment that is mounted in the lowest rack position.
- **Overall Height:** 3.00" [76]
- **Overall Depth:** 35.75" [908]
- **Overall Width:** 22.81" [579]
- **Construction:** Rugged 14-gauge, fully-welded, steel construction. Black wrinkle powder epoxy finish.
- **Cable Management:** Easy cable access through center opening. Cable pass-through openings on back match up to openings on matching LER and LGR Series racks. Cable pass-through openings on sides match up to openings on matching LGR Series racks.
- **Castors:** Four non-locking 3" swivel casters with specially formulated rubber tread that won't mar fine floors like wood, marble or tile. Total load rating is 800 lbs.
- **Hardware:** Includes hardware for bolt-on installation.
- **Origin:** Made in the USA
- For use with LER, LFR and LGR Series racks.
Do not use with seismic-certified racks.
- Increases rack height 1.50"

a&e specifications

The rack's mobile base shall be Lowell Model LMB-36F, which shall be of an inner platform design that mounts inside the rack frame, adding mobility and a floor positioned flush to bottom rack space. Construction shall be 14-gauge welded steel with a center opening and black wrinkle powder epoxy finish. Side openings shall match openings on LGR Series racks for cable pass-through. Four heavy-duty (3") non-locking swivel casters shall be positioned inside the platform. They shall feature a specially formulated rubber tread that won't mar fine floors. Casters shall have a total load rating of 800 lbs. Increase in overall rack height shall be 1.50". Mounting hardware shall be included.

Model Summary

Model No.	Description	Overall Width	Overall Depth	Overall Height	Center Opening	Weight
LMB-27F	Mobile Base for 27"D rack	22.81 in / 579 mm	26.75 in / 679 mm	3 in / 76 mm	12.97 x 11 in / 329 x 279 mm	28 lbs / 12.7 kg
LMB-32F	Mobile Base for 32"D rack	22.81 in / 579 mm	31.75 in / 806 mm	3 in / 76 mm	12.97 x 16 in / 329 x 406 mm	31 lbs / 14.0 kg
LMB-36F	Mobile Base for 36"D rack	22.81 in / 579 mm	35.75 in / 908 mm	3 in / 76 mm	12.97 x 20 in / 329 x 508 mm	35 lbs / 15.8 kg

One rack unit (RU or U) = 1.75 inches or 44.45 mm.

