

Lowell LVC Series Attenuators Wiring Instructions

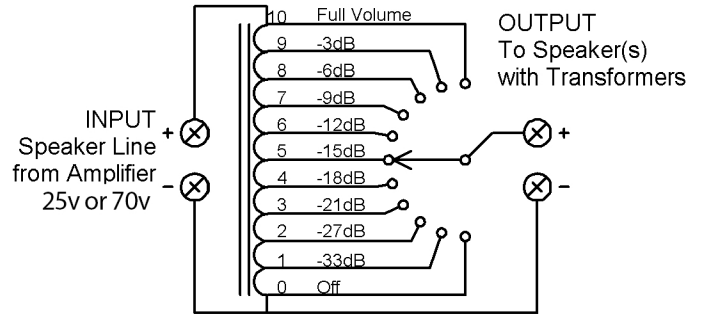
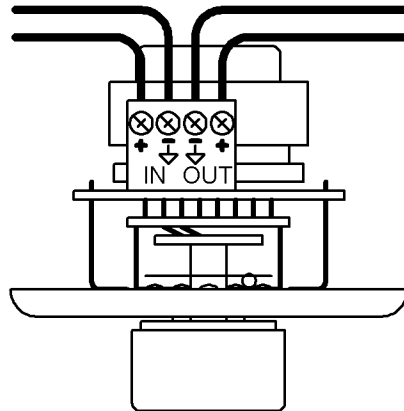
ETL LISTED. Conforms to UL 60065 / UL 2043. Certified to CSA 22.2 #60065

Min. inside dim. of UL listed EO box (if used):
1 7/8" W, 2 5/8" H, 2 1/8" D

INPUT (I/P)
Speaker Line from Amplifier
(25v or 70v)

OUTPUT (O/P)
To Speaker(s)
with Transformers

SCHEMATIC

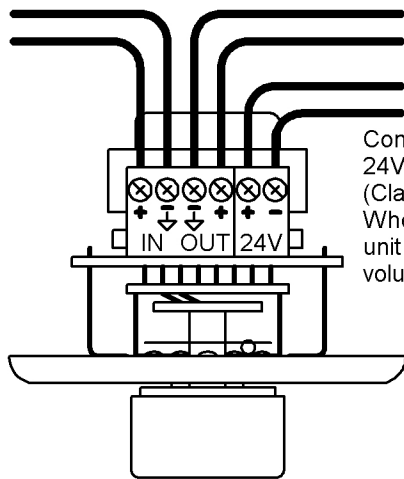


Note: Model 10015LVC has 1.5dB attenuation per step (13.5 dB total).

INPUT (I/P)
Speaker Line
from Amplifier
(25v or 70v)

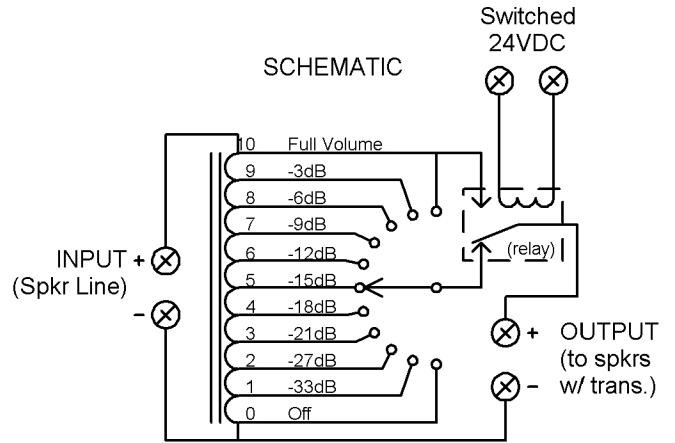
OUTPUT (O/P)
To Spkrs w/ trans.

PRIORITY OPTION ("PA") (Models 100LVC-PA-xx only)

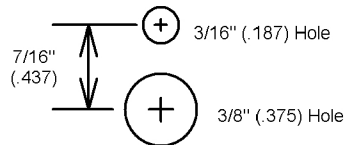


Connect to Switched 24VDC Source (Class 2 wiring) When voltage is applied, unit switches to full volume priority mode.

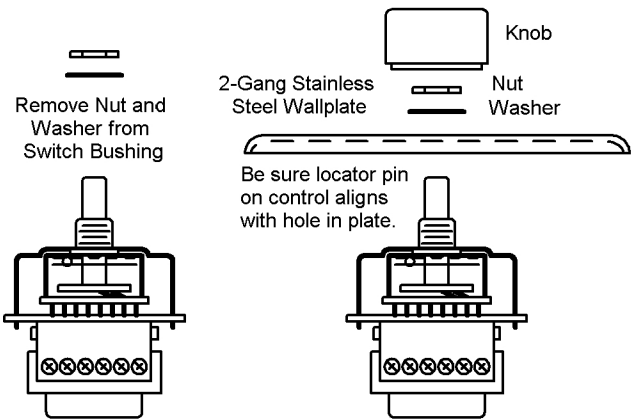
SCHEMATIC



Mounting Hole Detail
(for custom panel,
wallplate, etc.)



Attenuator Mount to ANP-2 Plate for Retrofit to Existing 2G Boxes



NOTICE IMPORTANT SAFETY INSTRUCTIONS

- 1) Read these instructions. 2) Keep these instructions.
- 3) Heed all warnings. 4) Follow all instructions.
- 5) Do not use this apparatus near water.
- 6) Clean only with dry cloth.
- 7) Install in accordance with manufacturer's instructions.
- 8) Do not install near any heat source such as radiators, heat registers, stoves, or other apparatus (including amplifiers) that produce heat.