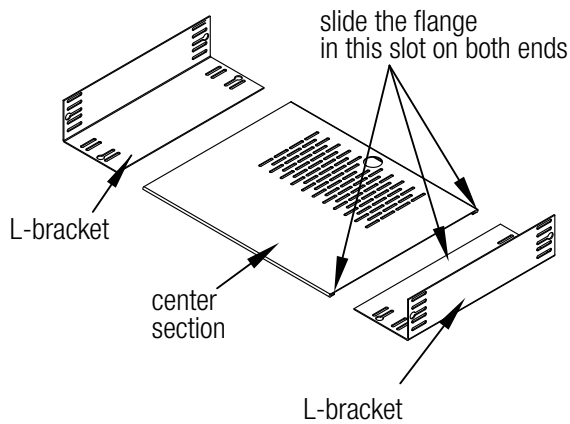


VWS Series Rackmount Shelf

1. Position the L-brackets (side supports) and center section as shown. Slide the longer end of the L-bracket into the slot on the bottom of center section (on both sides). Slide the L-brackets together until they touch the center section.



2. Position the shelf assembly just behind the front flange of the mounting rails and extend the L-brackets out to the inside of the other flange on the mounting rails. Align the slots in the L-brackets with the holes in the mounting rails and insert a 10-32 screw and nut in each hole.

