



100%
CERTIFIED
US STEEL



MADE IN
THE U.S.A.



EIA
TIA
COMPLIANT

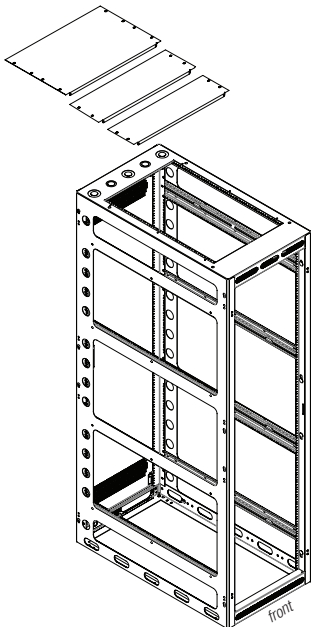


RoHS
COMPLIANT



FEATURES

- **Panel Space:** 44U or 77.125" [1959]
- **Overall Height:** 83.125" [2111]
- **Overall Depth:** 42.00" [1067]
- **Overall Width:** 23.06" [586]
- **Construction:** Fully welded certified U.S. steel, 16-gauge frame with seamless side frame construction and 14-gauge bottom reinforced at load-bearing junctions for robust support, strength equivalent to 11-ga. steel. Black wrinkle powder epoxy finish. Beveled edge corners front and rear.
- **Front:** Upper and lower vents. Frame nutserts are ready to add optional surface-mount door (left or right swing). Order front door separately.
- **Rear:** Laser-cut knockout panels in frame above and below door with combination EKO for conduit (1/2"–3/4" and 1"–1-1/2") and KO for wireless antennae (1/2") above door. Standard model includes recessed rear door with vents and key lock (left or right swing). Rear door can be omitted by placing "LRD" (less rear door) suffix in model no.
- **Sides (open access):** Rear vertical array of 2" dia. holes; 4" x 1.5" obround openings along base for cabling between racks. Optional side panels extend .625"
- **Bottom (open access):** Includes 10-32 threaded grounding stud in corner, 3/8"-16 threaded T-nuts for (optional) leg levelers, and holes for anchor bolts (by others). 37.88"D x 19.94"W opening.
- **Configurable Top (with closure panels):** 17U opening features riveted 10-32 threaded rails on 19" E.I.A. spacing and includes three black 19"W closure panels (3U, 4U, 10U) which can be replaced with optional 19" fan panels. A 6"D rear conduit plane has combination EKO for conduit (1/2"–3/4" and 1"–2"), KO for wireless antennae (1/2"), plus room to field-punch an opening for 4" dia. conduit.
- **Cable Management:** Abundant cable lacing points and generous wire management space of nearly 2" between front rails and front-to-rear rail supports.
- **Rack Rails – 44U (fully adjustable):** Two pairs of 11-gauge steel 10-32 threaded rails on E.I.A. spacing with bi-directional numbered RU increments (rails mount in either direction). Black finish. Clearance from front rail to outside frame (1.75"), from front rail to optional surface-mount front door (2.5").
- **Hardware:** Black pilot point screws with captive washers for quick installation. (50)
- **Compliance:** EIA/TIA compliant. RoHS compliant. UL 2416 Listed in U.S. and Canada.
- **UL Listed Load Capacity:** 3150 lbs. [1429 kg]
- **Optional:**
 - Front door
 - Side panels
 - Mobile or stationary base
 - Plastic bushings
 - Cable chase
 - Fully-vented rear door
 - Rack rails (44U or 21U)*
 - Leg levelers
 - Ganging hardware



The rack includes a rear door and top closure panels (rear door can be omitted if not needed, see ordering option, pg. 2). A front door is optional, order separately.

A&E SPECIFICATIONS

The EIA/TIA compliant 19" gangable equipment rack shall be Lowell model LGR-4442 with overall dimensions of 83.125"H x 42.00"D x 23.06"W; usable height of 44 rack units, and usable depth of 39.34". Rack construction shall be fully welded certified U.S. steel with 16-gauge frame and 14-gauge bottom reinforced at load-bearing junctions, all with black wrinkle powder epoxy finish. Open sides shall feature rear vertical arrays of 2" dia. holes plus 4" x 1.5" obround openings along bottom. The rack shall include a recessed rear door with vents and key lock, laser-cut knockout panels above and below door with 1/2"–3/4" and 1"–1-1/2" EKO for conduit, and 1/2" KO for wireless antennae above door. The front shall feature vents along top and bottom, and provisions to accept an (optional) surface-mount door with left or right hand swing. The top shall feature a 17U opening with solid closure panels (3U, 4U, 10U) and riveted 10-32 threaded rails on 19" E.I.A. spacing, 1/2"–3/4" and 1"–2" EKO for conduit, 1/2" KO for wireless antennae, and a 6"D rear conduit plane with room to field-punch holes for 4" dia. conduit. Rack bottom shall have an opening measuring 37.88" x 19.94" and include a grounding stud. Rack shall include 2 pairs of (44U) adjustable 11-gauge steel rails tapped 10-32 on 19" E.I.A. spacing with black finish and numbered rack unit increments. The UL 2416 Listed rack shall be manufactured in the U.S.A. with a UL Listed load capacity of 3150 lbs.

Optional

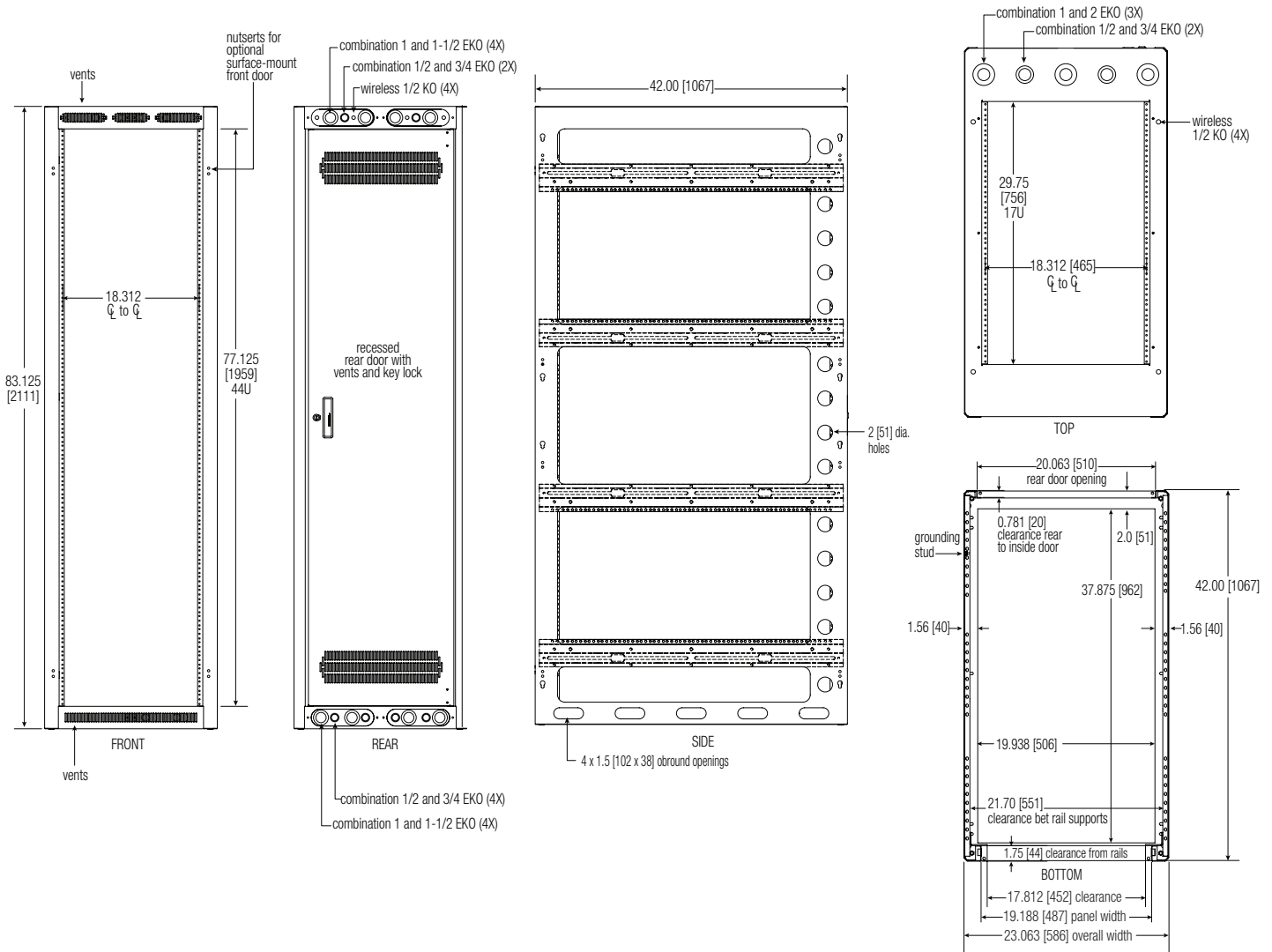
- The rack shall include a solid steel surface-mount front door with key lock model LFD-44.
- The rack shall include a smoked plexiglass surface-mount front door with key lock model LFD-44P.
- The rack shall include a fully-vented surface-mount front door with key lock model LFD-44FV.
- The rack shall include 1-pr. solid side panels model SDP-4442.
- The rack shall include a fully-vented rear door with key lock, model LRD-44FV.
- The rack shall include mobile base model LMB-42, which shall add 1.25" to height.
- The rack shall include a stationary base model LSB-42.
- The rack shall include a cable chase with 4"W channel model LCC4-4442.
- The rack shall include a set of four leg levelers model LL.
- The rack shall include 12 plastic bushings to snap in 2" dia. holes, model LGRB-12.
- The rack shall include ganging hardware model RGH-40.
- The rack shall include an additional pair of ____ (44U, 21U) mounting rails model ____ (RRD-44, RRD-21).

*Note: 21U rack rails mount on top or bottom rack space only.



TECHNICAL DRAWINGS

Dimensions are inches and [mm] unless stated otherwise.



LGR SERIES SUMMARY

Model No.	Rack Units	Overall Depth	Usable Depth	Overall Height	Usable Height	Overall Width	Top Opening	Bottom Opening Depth	Bottom Opening Width	Adj. Rails
LGR-4022	40 U	22.00 [559]	19.34 [491]	76.13 [1934]	70.13 [1781]	23.06 [586]	7 U	17.88 [454]	19.94 [506]	1 pr
LGR-4422	44 U	22.00 [559]	19.34 [491]	83.13 [2111]	77.13 [1959]	23.06 [586]	7 U	17.88 [454]	19.94 [506]	1 pr
LGR-2427	24 U	27.00 [686]	24.34 [618]	48.13 [1222]	42.13 [1070]	23.06 [586]	7 U	22.88 [581]	19.94 [506]	2 pr
LGR-3527	35 U	27.00 [686]	24.34 [618]	67.38 [1711]	61.38 [1559]	23.06 [586]	7 U	22.88 [581]	19.94 [506]	2 pr
LGR-4027	40 U	27.00 [686]	24.34 [618]	76.13 [1934]	70.13 [1781]	23.06 [586]	7 U	22.88 [581]	19.94 [506]	2 pr
LGR-4427	44 U	27.00 [686]	24.34 [618]	83.13 [2111]	77.13 [1959]	23.06 [586]	7 U	22.88 [581]	19.94 [506]	2 pr
LGR-3532	35 U	32.00 [813]	29.34 [745]	67.38 [1711]	61.38 [1559]	23.06 [586]	10 U	27.88 [708]	19.94 [506]	2 pr
LGR-4032	40 U	32.00 [813]	29.34 [745]	76.13 [1934]	70.13 [1781]	23.06 [586]	10 U	27.88 [708]	19.94 [506]	2 pr
LGR-4432	44 U	32.00 [813]	29.34 [745]	83.13 [2111]	77.13 [1959]	23.06 [586]	10 U	27.88 [708]	19.94 [506]	2 pr
LGR-4036	40 U	36.00 [914]	33.34 [847]	76.13 [1934]	70.13 [1781]	23.06 [586]	10 U	31.88 [810]	19.94 [506]	2 pr
LGR-4436	44 U	36.00 [914]	33.34 [847]	83.13 [2111]	77.13 [1959]	23.06 [586]	10 U	31.88 [810]	19.94 [506]	2 pr
LGR-4042	40 U	42.00 [1067]	39.34 [999]	76.13 [1934]	70.13 [1781]	23.06 [586]	17 U	37.88 [962]	19.94 [506]	2 pr
LGR-4442	44 U	42.00 [1067]	39.34 [999]	83.13 [2111]	77.13 [1959]	23.06 [586]	17 U	37.88 [962]	19.94 [506]	2 pr

Rack dimensions (rounded) – inches and [mm]; 1U = 1.75"

ORDERING OPTION: Omit rear door by adding "LRD" to end of model number, ex. LGR-4442-LRD

