



MADE IN THE USA



CERTIFIED US STEEL



The base features 3" swivel casters

features

- **Description:** Designed to mount inside a rack frame to provide a floor positioned flush to bottom rack space. Often specified to support extra heavy equipment that is mounted in the lowest rack position.
- **Overall Height:** 3.00" [76]
- **Overall Depth:** 26.75" [679]
- **Overall Width:** 21.75" [553]
- **Construction:** Rugged 14-gauge, fully-welded, steel construction. Black wrinkle powder epoxy finish.
- **Cable Management:** Side pass-through openings and center opening in base.
- **Casters:** Four non-locking 3" swivel casters. Total load rating is 1400 lbs.
- **Hardware:** Includes hardware for bolt-on installation.
- **Origin:** Made in the USA
- For use with LGNR and LGVR Series racks.
- Increases rack height 1.25".

a&e specifications

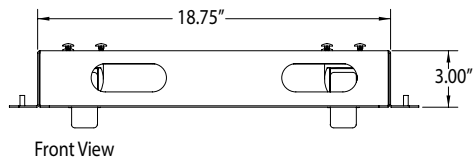
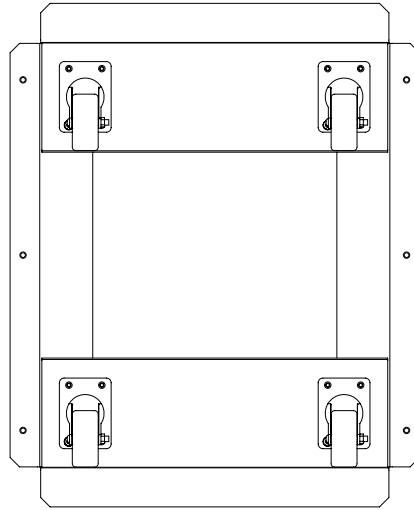
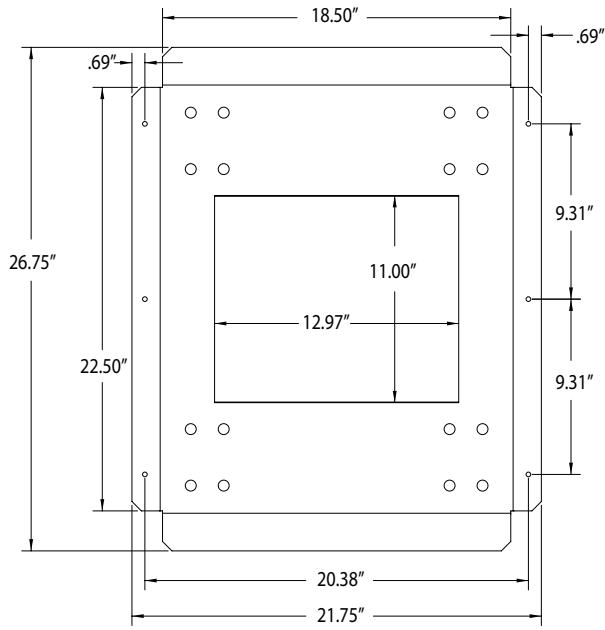
The mobile base for the rack shall be Lowell Model No. LMNB-27, which shall be of an inner platform design that mounts inside the rack frame to add mobility and a floor positioned flush to bottom rack space. Construction shall be 14-gauge welded steel with a black wrinkle powder epoxy finish. The heavy-duty, 3" non-locking swivel casters shall be inside the platform increasing rack height 1.25". Casters shall have a total load rating of 1400 lbs. The mobile base shall feature bottom and side openings for cable routing. Overall measurements shall be 21.75"W x 26.75"D. Mounting hardware shall be included.

Model Summary

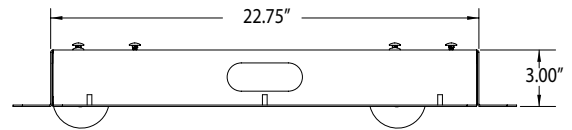
Model No.	Description	Overall Width	Overall Depth	Overall Height	Center Opening
▶ LMNB-27	Narrow mobile base for 27"D rack	21.75 in / 553 mm	26.75 in / 679 mm	3 in / 76 mm	12.97 x 11 in / 329 x 279 mm
LMNB-32	Narrow mobile base for 32"D rack	21.75 in / 553 mm	31.75 in / 806 mm	3 in / 76 mm	12.97 x 16 in / 329 x 406 mm
LMNB-36	Narrow mobile base for 36"D rack	21.75 in / 553 mm	35.75 in / 908 mm	3 in / 76 mm	12.97 x 20 in / 329 x 508 mm

One rack unit (RU or U) = 1.75 inches or 44.45 mm.





Front View



Side View