



Model No.

# LGNR-3732

Gangable Narrow (22"W) Rack

Panel Space:	37U or 64.75" [1645]
Overall Height:	70.875" [1800]
Overall Depth:	32.00" [813]
Overall Width:	22.00" [559]
Load Capacity:	3150 lbs. [1429 kg] (UL Listed)



FULLY WELDED GANGABLE RACK with adjustable rails. Certified U.S. steel, 16-gauge frame with seamless side frame construction, 14-ga. top and 14-ga. bottom reinforced at load-bearing junctions for robust support, strength equivalent to 11-ga. steel. Black wrinkle powder epoxy finish. Beveled edge corners front and rear.

## FEATURES

**FRONT:** Frame nutserts are ready to add optional surface-mount door (left or right swing). Order front door separately.

**REAR:** Knockout panel in frame above and below door. Combination KOs for conduit (1/2"-3/4", 1/2"-1", 3/4"-1", 1"-1-1/2" and 1"-2") and KOs for wireless antennae (1/2"). Standard model includes recessed rear door with key lock (left or right swing).

**SIDES** (open access): Obround openings along base for cabling between racks. Optional side panel increases overall width 1" per side.

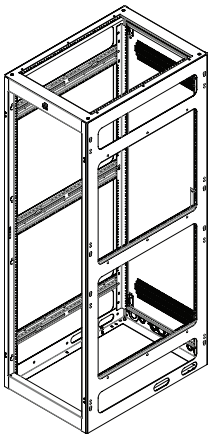
**CONFIGURABLE TOP:** 15U opening features riveted 10-32 threaded rails on 19" EIA spacing.

**BOTTOM** (open access): Includes 10-32 threaded grounding stud in corner, 3/8"-16 threaded T-nuts for (optional) leg levelers, and holes for anchor bolts (by others). Opening is 27.88"D x 18.89"W.

**RAILS** (fully adjustable): Two pairs of 11-ga. steel 10-32 threaded rails on EIA spacing with numbered RU increments (rails mount in either direction). Black finish. Clearance for wire management from front rail to outside frame (1.5") and from front rail to (optional) surface-mount door (2.25").

**HARDWARE:** Black pilot point screws with captive washers for quick installation. (50)

**COMPLIANCE:** EIA/TIA compliant. RoHS compliant. UL 2416 Listed in U.S.A. and Canada.



## A&E SPECIFICATIONS:

The EIA/TIA compliant 19" gangable equipment rack shall be Lowell model LGNR-3732 with overall dimensions of 70.875"H x 32.00"D x 22.00"W; usable height of 37 rack units, and usable depth of 29.34". Rack construction shall be fully welded certified U.S. steel with 16-gauge frame, 14-ga. top and 14-ga. bottom reinforced at load-bearing junctions, all with black wrinkle powder epoxy finish. Open sides shall feature obround openings along bottom rear. The rack shall include a recessed rear door with key lock, combination knockouts for conduit wiring above and below door (1/2"-3/4", 1/2"-1", 3/4"-1", 1"-1-1/2" and 1"-2" KOs), and knockouts for wireless antennae (1/2" KOs). The front shall feature provisions to accept an (optional) surface-mount door with left or right hand swing. The top shall feature a 15U opening with riveted 10-32 threaded rails on 19" E.I.A. spacing. Rack bottom shall have an opening measuring 27.88" x 18.89" and include a grounding stud. Rack shall include 2 pairs of adjustable 11-gauge steel rails tapped 10-32 on 19" EIA spacing with black finish and numbered rack unit increments. The UL 2416 Listed rack shall be manufactured in the U.S.A. with a UL Listed load capacity of 3150 lbs.

## LGNR SERIES SUMMARY

Model No.	Rack Units	Overall Depth	Usable Depth	Overall Height	Bottom Usable Height	Bottom Overall Width	Adj. Top	Opening Depth	Opening Width	Rails
• LGNR-2427	24 U	27.00 [686]	24.34 [618]	48.13 [1222]	42.13 [1070]	22.00 [559]	open	22.88 [581]	18.89 [480]	2 pr
• LGNR-3727*	37 U	27.00 [686]	24.34 [618]	70.88 [1800]	64.75 [1645]	22.00 [559]	open	22.88 [581]	18.89 [480]	2 pr
• LGNR-4427*	44 U	27.00 [686]	24.34 [618]	83.13 [2111]	77.00 [1956]	22.00 [559]	open	22.88 [581]	18.89 [480]	2 pr
• LGNR-2432	24 U	32.00 [813]	29.34 [745]	48.13 [1222]	42.13 [1070]	22.00 [559]	open	27.88 [708]	18.89 [480]	2 pr
THIS SPEC • LGNR-3732	37 U	32.00 [813]	29.34 [745]	70.88 [1800]	64.75 [1645]	22.00 [559]	open	27.88 [708]	18.89 [480]	2 pr
• LGNR-4032	40 U	32.00 [813]	29.34 [745]	76.13 [1934]	70.13 [1781]	22.00 [559]	open	27.88 [708]	18.89 [480]	2 pr
• LGNR-4432*	44 U	32.00 [813]	29.34 [745]	83.13 [2111]	77.00 [1956]	22.00 [559]	open	27.88 [708]	18.89 [480]	2 pr
• LGNR-4036*	40 U	36.00 [914]	33.34 [847]	76.13 [1934]	70.13 [1781]	22.00 [559]	open	31.88 [810]	18.89 [480]	2 pr
• LGNR-4436*	44 U	36.00 [914]	33.34 [847]	83.13 [2111]	77.00 [1956]	22.00 [559]	open	31.88 [810]	18.89 [480]	2 pr

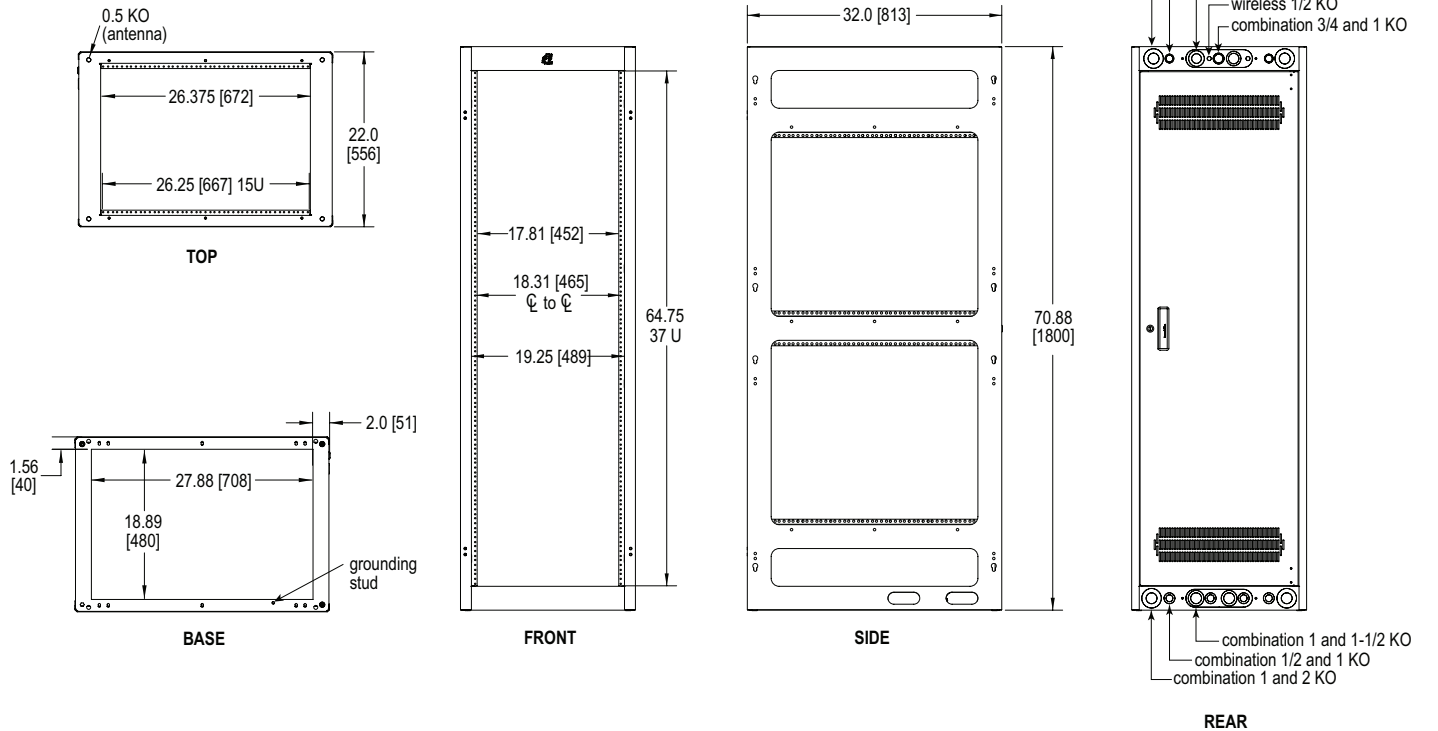
Rack dimensions (rounded) – inches and [mm]; 1U = 1.75"

\* ORDERING OPTION: Omit rear door by adding "LRD" to end of model number, ex. LGNR-4436-LRD

• Closeout - limited availability

## TECHNICAL DRAWINGS

Dimensions are inches and [mm] unless stated otherwise.



## OPTIONAL

- Solid steel surface-mount front door with key lock model LFD-37.
- Smoked plexiglass surface-mount front door with key lock model LFD-37P.
- Fully-vented surface-mount front door with key lock model LFD-37FV.
- 1-pr. solid side panels model SDP-3732.
- Mobile base model LMNB-32, which shall add 1.25" to height.
- Additional pair of 37U mounting rails model RRN-37.
- Set of four leg levelers model LL.
- Ganging hardware model RGH-40.