

Surface-mount steel enclosure for ceiling or wall installation is designed to mount a screw-mount grille with a standard 8" speaker. The clean square format is ideal for schools, offices, restaurants, hotels and similar venues.

FEATURES:

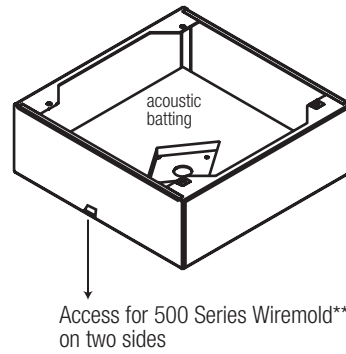
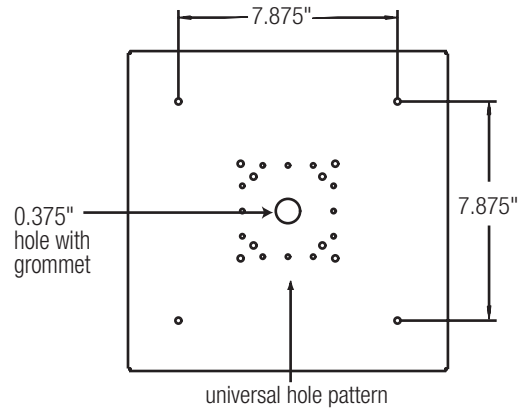
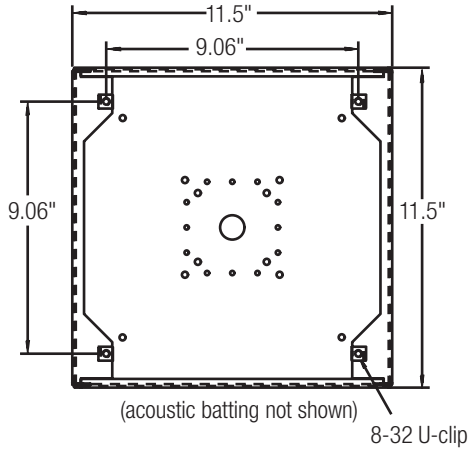
- **Construction:** Precision formed 20-gauge certified U.S. steel with white powder epoxy finish. Welded seams.
- **Dimensions:** 11.5" square
- **Depth:** 4"D
- **Volume:** 0.306 cu.ft.
- **Installation:**
 - Front formed flanges with U-clips will accept a screw-mount grille.
 - Universal mounting pattern in rear for installation to 4"square, 4"octagon, 1-gang or 2-gang electrical box (not included).
 - *Note: A standard 8" EIA speaker would mount to a (screw-mount) grille. The grille would then mount to this enclosure. Order speaker and grille separately.*
- **Knockouts:**
 - Rear hole with grommet (0.375") for wire access
 - Two sides have knockouts for 500 Series Wiremold®**
- **Acoustic Treatment:** 1-1/2" thick acoustic batting
- **Country of Origin:** Made in U.S.A.
- **A&E Specifications:** The surface-mount enclosure for 8" speakers shall be Lowell model CB84-SG, which shall be fabricated U.S. steel with white powder epoxy finish, 11.5" square x 4"D. It shall feature a rear hole (.375" dia.) with grommet for wire access and provisions to mount to an electrical box (4" square, 4" octagon, 1-gang or 2-gang – not included). It shall also feature four mounting holes and 8-32 U-clips at flanged corners to accept a screw-mount grille. It shall include 1-1/2" thick acoustic batting. Two sides shall have knockouts for use with 500 Series Wiremold.®** The enclosure shall be made in the U.S.A.

COMPATIBLE COMPONENTS (order separately):

- Speakers: 8" EIA
 - Note that robust 8" coaxial speakers, such as Lowell 8A50 or 8P100, require enclosures with greater volume and depth (more than 4").*
- Grilles (screw-mount): SG-8, IC-105A
- Speaker+Grille Assemblies: R7810-72, R7810-72K



INSTALLATION: Surface-mount
FOR SPEAKER SIZE: 8" EIA
FOR GRILLE TYPE: Screw-mount



** For 500 Series Wiremold (registered trademark of The Wiremold Co.)

