

rackmount panel punched for low voltage (decorator style) devices

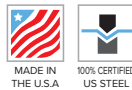
features



Model #D3P-ID-1 is a 1U panel for standard width devices.



Model #D3P-ID-2 is a 2U panel for standard or wide-body devices.



Optional DBB Series blank filler plates are used to plug unused positions.

- **Description:** Steel rackmount panels with black finish are pre-punched to hold up to 3 one-gang, decorator style devices, mounted horizontally. The panels provide an organized way to mount low voltage devices.
- **Construction:**
 - 16-gauge certified U.S. steel (19"W)
 - Three punched openings sized to accept 1-gang decorator style devices, mounted horizontally. The 1U panel is for standard width devices. The 2U panel can accept standard or wide-body devices.
 - Rear lacing flange for cable/wire management (0.625")
 - Pocket-ID™ plastic overlay will hold 1/2"H paper labels (not included). Download label template at Lowellmfg.com (PocketID-E)
- **Finish:** Smooth black semi-gloss powder epoxy finish
- **Origin:** Made in the U.S.A.
- **Hardware:** Included
- **Compliance:** EIA compliant
- **Optional: (order separately)**
 - DBB Series: Blank filler plates are used to plug unused positions.
 - Device suggestions listed on pg. 2

a&e specifications

The rack shall include Lowell panel _____ (#D3P-ID-1, #D3P-ID-2), which shall be formed steel construction, 19"W x _____ (1U, 2U) with rear lacing flange and three punched openings sized to accept one-gang, decorator style, low voltage devices, mounted horizontally. The panel shall have a smooth black powder epoxy finish and plastic overlays to hold paper labels (not included). The panel shall be made in the U.S.A. with certified U.S. steel.

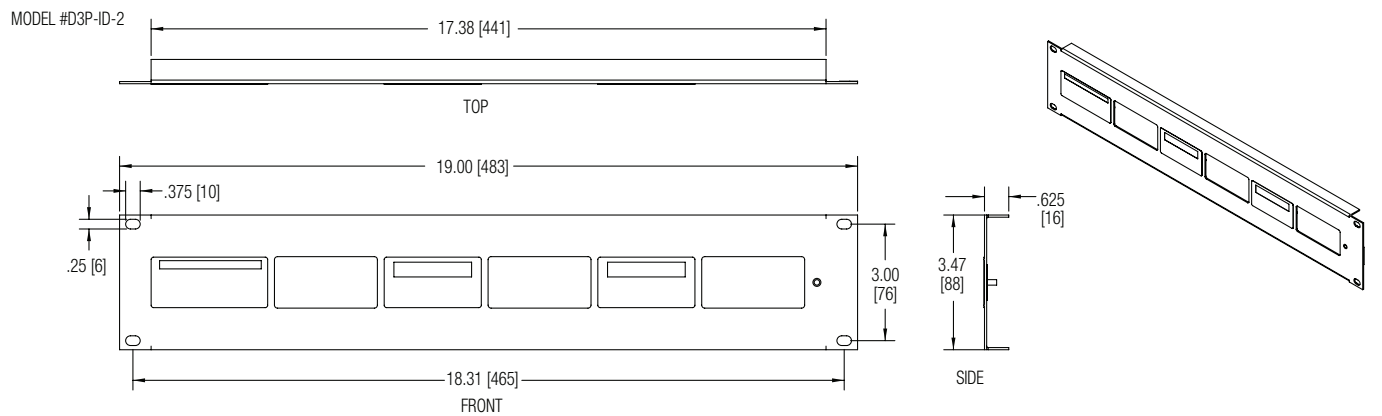
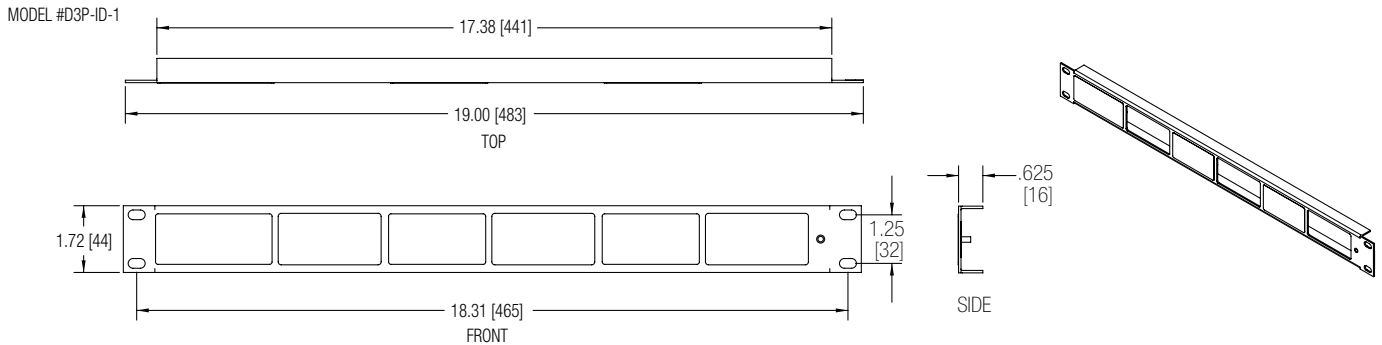
Lowell punched panel overview

Model No.	Description	Panel Space	Overall Width	No. of Punches	Device Mounted Direction	Pocket-ID™ Label Area	Carton Pack
▶ D3P-ID-1	Rack panel for decorator device	1U	19.00 [483]	3	horizontal	yes	1
▶ D3P-ID-2	Rack panel for decorator device	2U	19.00 [483]	3	horizontal	yes	1
D4P-1	Rack panel for decorator device	1U	19.00 [483]	4	horizontal	---	1
D8P-ID-3	Rack panel for decorator device	3U	19.00 [483]	8	vertical	yes	1
D9P-ID-3	Rack panel for decorator device	3U	19.00 [483]	9	vertical	yes	1
LVC8P-ID-2	Rack panel for volume controls	2U	19.00 [483]	8	---	yes	1
N10P-ID-1	Rack panel for Neutrik-D/Switchcraft-E	3U	19.00 [483]	10	---	yes	1
SG6P-3	Rack panel for standard (1g) wall plate device	3U	19.00 [483]	6	vertical	---	1
Blank Filler Plates (for decorator style punches, unused positions)							
DBB-4	Blank filler plate (4 pk.)						1
DBB-50	Blank filler plate (50 pk.)						1
DBB-100	Blank filler plate (100 pk.)						1

Dimensions = inches [mm]; 1U = 1.75"



technical drawings



optional devices (order separately)

On/off switches are typically mounted in these panels. Remove the wall plate before installing the switch in the panel.

- RPSB-P: maintained closure remote switch, rocker, 1 LED
- RPSB-MP: momentary closure remote switch, rocker, 1 LED
- RPSB2-MP: momentary closure remote switch, rocker, 2 LEDs
- RPSB-KP-ASM: maintained closure remote (key) switch, 1 LED (for sequencers with ASM mode)
- RPSB-KP: maintained closure remote switch, key, 1 LED
- RPSB-MKP: momentary closure remote switch, key, 1 LED
- RPSB2-MKP: momentary closure remote switch, key, 2 LEDs