



LR Series Laminated Racks

## LR Series Laminated Racks Easy-to-Assemble System

### Laminated Racks Include:

- Sides, Top and Bottom: Sturdy 5/8" wood composite with premium woodgrain laminate in Cathedral Black.
- Rails: One pair of 11-gauge numbered rails (tapped 10-32) is pre-mounted to speed installation.
- Assembly hardware: Cams (with Phillips head), dowels and caps install without special tools to inside (no visible hardware).
- Panel Hardware: PilotPoint™ screws with captive washers.

### Accessories (optional - order separately)

- Rear Rails: Additional rails for rear support mount to pre-drilled holes in the laminate panels. LR-RRK Series Rails are tapped 10-32 and numbered for easy equipment installation.

## Description

Lowell's LR Series laminated racks have a durable and attractive wood finish with no visible hardware. They provide a clean and cost effective method of installing 19"W equipment in corporate, retail, education, residential and house of worship applications. Selection includes models with 10RU, 12RU, 16RU and 21RU panel space sizes\*.

For cost and transportation economies, racks are packaged knocked-down and assemble easily without special tools using Phillips head cams and dowels. Unlike similar racks by others; Lowell's LR Series features no visible hardware as the cams and dowels install from the inside and include a black cover cap to conceal the cam. This achieves a finished furniture-grade appearance inside and out.

Sturdy 11-gauge rails are pre-installed in the front panel space. Additionally; the rails are clearly printed with rack unit RU\* increments for easy and trouble-free equipment installation. Racks will support up to 200 lbs. Top, bottom and sides are 5/8" wood composite with wood grain laminate in Cathedral Black color. Overall dimensions are 20.41"W x 18"D x 18.90"H (10RU), 22.40 (12RU), 29.40(16RU) and 38.875" (21RU).

\*1RU = 1.75"

Optional accessories include LR-RRK Series rear rails to facilitate support of heavier and/or deeper equipment. Rails install easily with hardware included into the pre-drilled holes in the rear of LR Series racks. Rails are 11-gauge steel with printed and numbered rack unit increments. *Lowell also offers a full selection of fan, vent and solid closure panels as well as AC power panels and strips, surge suppressors, sequencers and remote power controls. Visit our website at [www.lowellmfg.com](http://www.lowellmfg.com)*

## A & E Specifications

**Laminated rack system(s) shall be Lowell Model \_\_\_\_\_** (LR1018-B, LR1218-B, LR1618-B, LR2118-B) Rack(s) shall measure 20.41"W and have a depth of 18 inches. Panel space height shall be \_\_\_RU for mounting EIA standard components. Sides, top and bottom shall be constructed of 5/8" wood composite with woodgrain laminate in black finish. Front mounting rails shall be 11-gauge steel with printed rack unit increments. Rack system shall ship knocked down and feature cam and dowel assembly using standard Phillips head screwdriver. Cams shall install from the interior and include cover caps for clean finished appearance. Installations that require rear rail support shall include optional 11-gauge rear rail pair Model \_\_\_\_\_. Optional rear rails shall include installation hardware and mount into pre-drilled holes in the rear of LR Series racks.



# LR Series

## Laminated Wood Finish Racks

# RACKS



19"W Rack Model		LR1018-B	LR1218-B	LR1618-B	LR2118-B
Rack Units (1.75")	"A"	10RU	12RU	16RU	21RU
Inside Height / Panel Space	"A"	17.625"	21.125"	28.125"	36.875"
Overall Height***	"B"	18.90"	22.40"	29.40"	38.15"
Overall Width		20.41"	20.41"	20.41"	20.41"
Overall Depth		18"	18"	18"	18"
Usable Depth*		17.5"	17.5"	17.5"	17.5"
Mounting Rails (tapped 10-32)		11-gauge steel numbered	11-gauge steel numbered	11-gauge steel numbered	11-gauge steel numbered
Panel Hardware (PilotPoint™)		25 pc bag	25 pc bag	25 pc bag	25 pc bag
Optional Rear Rails (order separately)		LR-RRK10	LR-RRK12	LR-RRK16	LR-RRK21

\*Usable depth is 17.5" as front rails are set back 0.5"

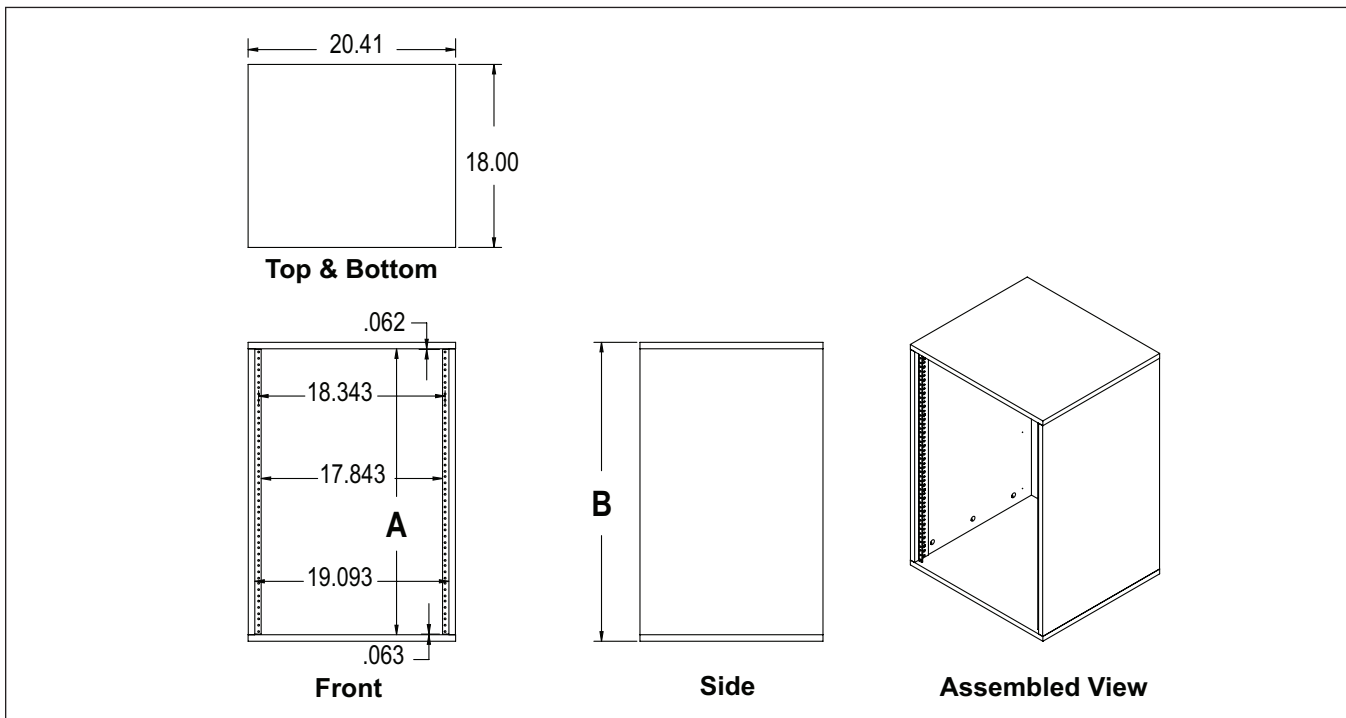
Open Frame  
Floor

Solid Side  
Floor &  
Desk

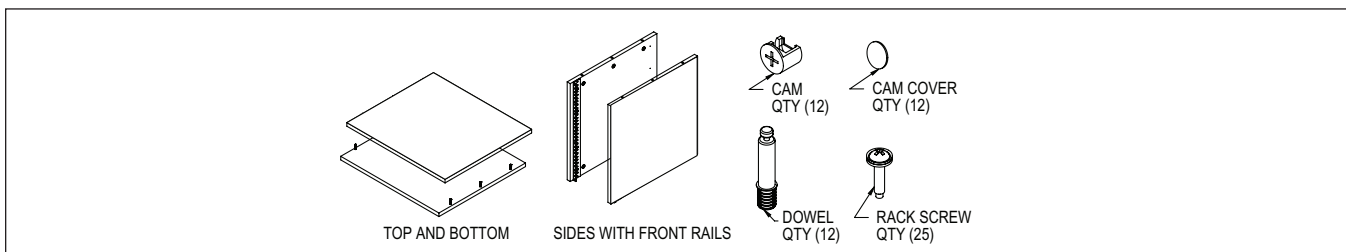
Wallmount  
Surface &  
Recessed

Panels &  
Accessories

Thermal &  
Wire Mngmt



Dimensions LR Series Laminated Racks



Carton Contents LR Series Laminated Racks

Laminated Racks