

L70 Series desktop cabinets

Model L70-24 shown with optional front door Model L151-24 and optional rear door Model L7-1922

L70 Series Desk Cabinets

Cabinets Include:

- Fixed Front Mounting Rails: One pair tapped 10-32
- Fixed Rear Mounting Rails: One pair punched .281
- Recessed Handle Grips
- Protective Rubber Feet
- Side Ventilation slots
- Wrinkle Powder Epoxy Finish: Black

Accessories (optional - order separately)

- Recessed Front Door (Lock is keyed different than rear door)
- Recessed Rear Door: Door is 2" shorter than opening to facilitate wire access (Lock is keyed different than front door).

Description

Lowell's UL Listed (Standard 1678) desk cabinet Series L70 is designed specifically to provide ready access and security for 19"W audio, video, control and other equipment used in desktop applications. Choose from five panel space sizes equipped with 1/2" protective rubber feet to prevent scratching of desk surfaces, side ventilation slots for heat dissipation, and recessed finger pockets for easy maneuverability.

The cabinet assembly is welded 16-gauge certified US steel with 11-gauge fixed front mounting rails tapped 10-32 and punched rear rails on .281 universal EIA spacing. Front rails are recessed 1.812" from the frame providing 1.687" equipment clearance - even when an optional recessed front door is installed. Total useable mounting depth is 15.937". Finish is Lowell's durable black wrinkle powder epoxy.

Options include a locking solid front door (recessed) with spring loaded hinges for left or right orientation and a solid rear door (recessed) that is 2" shorter than the opening to facilitate cord and cable entry. Both doors are locking and are keyed differently for security.



SPECIFICATIONS FOR LOWELL DESK CABINET SERIES L70

Cabinet Model	Racking Height A	Overall Height B (incl. feet)	O.A. Width	O.A. Depth (15.937" useable)	Fixed Rails Installed	Rear Opening	Front Opening	Weight	Front Door* (Recessed-solid (Order separately))	Rear Door* (Recessed-solid (Order separately))
L70-12	12.375" (7RU)	14.875"	21.125"	18.5"	1pr	Open	Open	34 lbs.	L151-12	**L7-1910
L70-17	17.625" (10RU)	20.125"	21.125"	18.5"	1pr	Open	Open	36 lbs.	L151-17	**L7-1915
L70-21	21.125" (12RU)	23.625"	21.125"	18.5"	1pr	Open	Open	39 lbs.	L151-21	**L7-1919
L70-24	24.625" (14RU)	27.125"	21.125"	18.5"	1pr	Open	Open	43 lbs.	L151-24	OUT OF STOCK
L70-31	31.625" (18RU)	34.125"	21.125"	18.5"	1pr	Open	Open	50 lbs.	L151-31	**L7-1929

**L7 Series locking rear doors are 2" shorter than the opening to facilitate wire access.

Noted Models (all but L70-31) are suitable for UPS shipment.



L70 Series

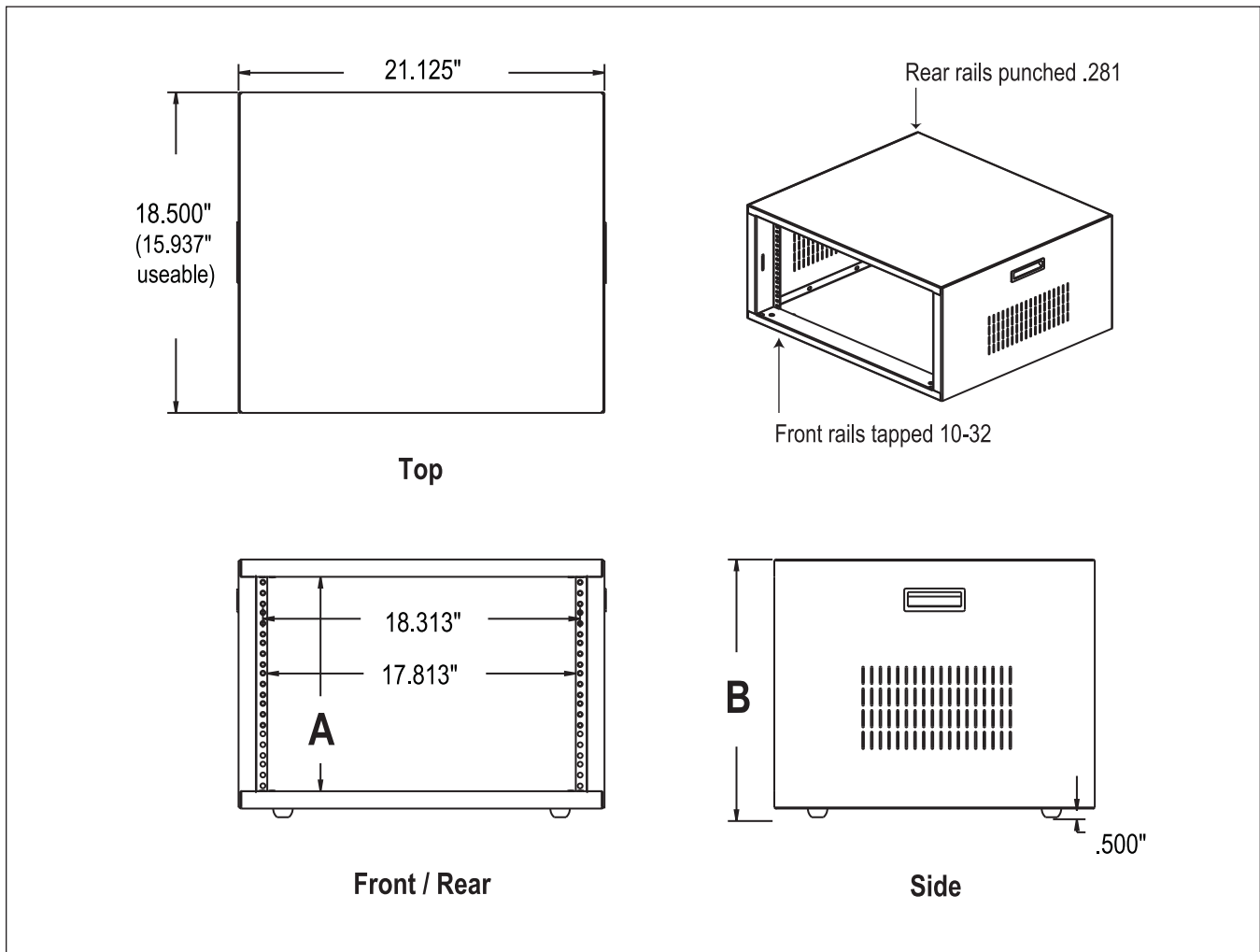
19"W x 18.5"D Desk Cabinets

R
A
C
K
S

A & E Specifications

Cabinet for desktop use shall be Lowell Model _____ (L70-12, L70-17, L70-21, L70-24, L70-31). Cabinet shall measure 21.125"W x 18.5"D (15.937" usable depth) x _____" H and shall be UL Listed under Standard 1678. Welded assembly shall be 16-gauge certified US steel with 11-gauge fixed front mounting rails tapped 10-32 and punched rear rails on .281 universal EIA spacing. Desktop cabinet shall include side ventilation slots, recessed finger pockets, and protective rubber feet. Finish shall be Lowell's powder epoxy in black.

Options: Desktop cabinet shall include an optional locking rear door _____ (L7-1910, L7-1915, L7-1919, L7-1922, L7-1929) that is 2" shorter than the cabinet panel space to provide security and ample space for cord and cable entry. Cabinet shall include an optional locking front door _____ (L151-12, L151-17, L151-21, L151-24, L151-31) that mounts flush using spring loaded hinges for right or left swing. Doors shall be finished in black powder epoxy paint.



L70 Series Dimensions

Open Frame
Floor



Solid Side
Floor &
Desk

Wallmount
Surface &
Recessed

Panels &
Accessories

Thermal &
Wire Mngmt

Desktop
Racks