

L55 Series wall cabinets



Description

Lowell wall cabinet Series L55 is a compact and economical solution for housing and protecting 19"W electronics in small system installations. UL Listed (Standard 1678) cabinet is ideal for applications where floor space is a premium or when elevated wall installation is desirable such as in schools, training and educational facilities, small offices, retail establishments, and institutions of all kinds. Attractive 16"D cabinet is offered in 4RU and 7RU panel space sizes with a solid locking front door (recessed) on quick-release hinges for right or left swing orientation, side vents for natural heat dissipation, and compound knockouts for conduit access top and rear.

Series L55 cabinets are precision formed and welded 16-gauge certified US steel. Front mounting rails are fixed 11-gauge steel tapped 10-32. The front rails are recessed 1.812" from the frame providing 1.687" equipment clearance - even when the front door is closed. Total useable mounting depth is 14".

Field-friendly design mounts on 16" centers using keyhole mounting slots (hardware by others). Wire access is provided with compound knockouts in the rear and top (1" - 1-1/2" and 1/2" - 3/4"). Finish is Lowell's durable black wrinkle powder epoxy.

For applications where a UL Listed sectional wall cabinet is needed, request Lowell L250 Series (14"D mounting section w 4.688"D backbox) or L253 Series (18"D mounting section with 4.688"D backbox).

L55 Series Stationary Wall Cabinets

Cabinets Include:

- Fixed Mounting Rails: One pair tapped 10-32
- Solid Front Door (recessed) with Lock
- Keyhole Mounting Slots
- Choice of 2 Panel Space Heights
- Wrinkle Powder Epoxy Finish: Black

A & E Specifications

Cabinet for wall mount installation shall be Lowell Model _____ (L55-7, L55-12). Cabinet shall measure 21.125"W x 16"D x ____"H. Welded assembly shall be 16-gauge certified US steel with 11-gauge steel fixed front mounting rails tapped 10-32. Wall cabinet shall include a locking front door. It shall have a solid back and mount to the wall using keyhole slots spaced on 16" centers. Knockouts size (1"-1-1/2" and 1/2" - 3/4") shall be provided on the top and rear for conduit entry. Finish shall be Lowell's powder epoxy in black.

SPECIFICATIONS FOR LOWELL WALL CABINET SERIES L55

Cabinet Model	Racking Height A	Overall Height B	Overall Width	Overall Depth (14" useable)	Fixed Rails Installed	Rear Mounting Surface / Method	Front Door	Weight
L55-7	7.125" (4RU)	9.125"	21.125"	16"	1pr	Solid with keyhole slots 16" ctrs.	Solid, locking	33 lbs.
L55-12	12.375" (7RU)	14.375"	21.125"	16"	1pr	Solid with keyhole slots 16" ctrs.	Solid, locking	42 lbs.

All L55 Series models are suitable for UPS shipping.



L55 Series

Stationary 19"W x 16"D Wall Cabinets

RACKS

Open Frame
Floor

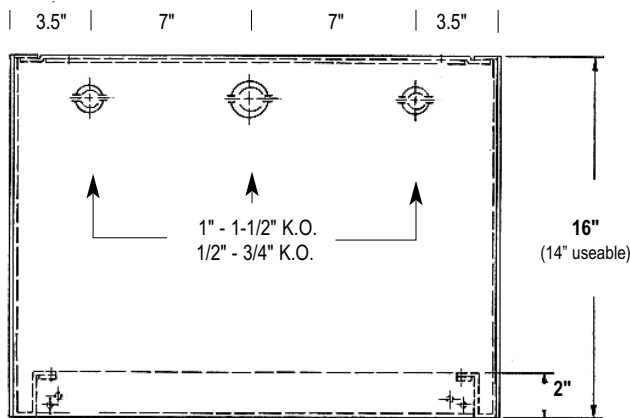
Solid Side
Floor &
Desk



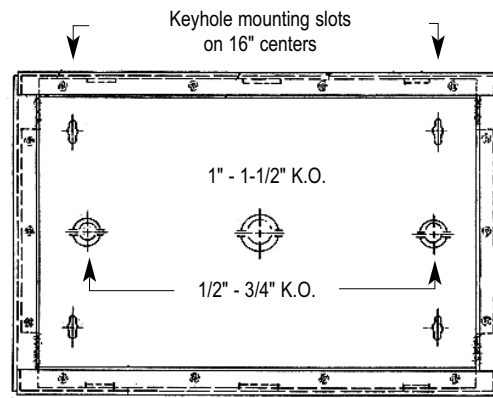
Wallmount
Surface &
Recessed

Panels &
Accessories

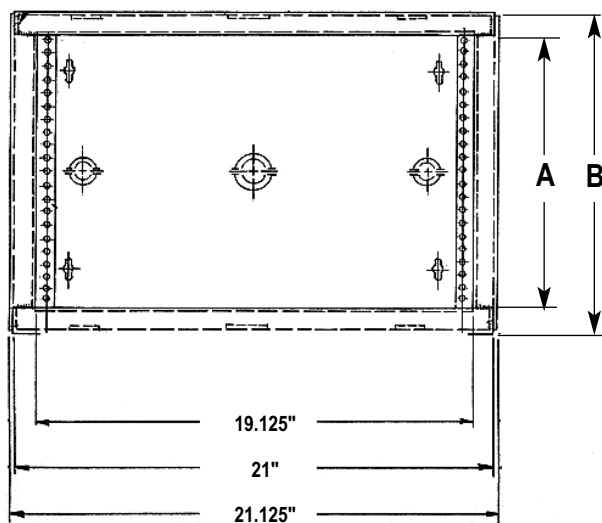
Thermal &
Wire Mngmt



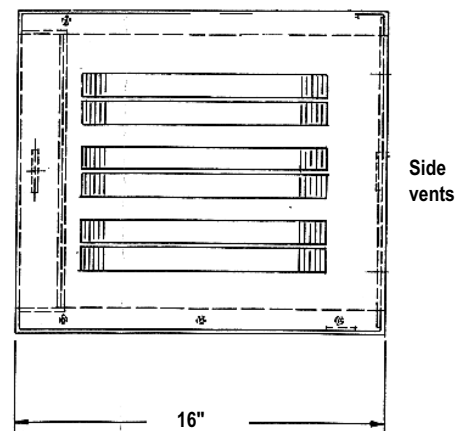
Top View
(solid with knockouts)



Rear View
(solid with knockouts)



Front View
(Includes recessed, locking front door)



Side View
(solid with vents)

L55 Series Dimensions

Stationary Wall Racks