

Model: LVR-series

# Lowell VARI-RACK® (21-28"D)

## Description:

**Custom Fit:** The VARI-RACK® is engineered for versatility as it sports an innovative design that allows the depth to be selected during set-up (anywhere between 21" and 28"D). The four corner post rails have a scale printed in rack unit increments to facilitate trimming if a custom height is desired. And the narrow (19.214") width creates a slim footprint for mounting standard 19"W EIA equipment in narrow spaces. An assortment of options enables the VARI-RACK to adapt to a variety of applications. It's the ideal solution for rackmounted equipment in custom cabinetry or credenzas, under counters or desks, or in any narrow or shallow open area.

**Robust Frame:** The VARI-RACK will support loads up to 400 lbs. Corner post mounting rails are 11-gauge steel tapped 10-32. Base and top sections are 14-gauge steel. Rack models with a height of 30, 38 or 44 rack units include two side support brackets for torsional rigidity.

**Assembly:** Although the rack ships knocked down, the base and top are pre-assembled to speed installation — only the depth adjustment is needed. Adjustment brackets are printed with a scale (inches, millimeters, rack units) and can be pinned in EIA increments or secured along a slot to accommodate custom sizes. Includes 5/16" hex nuts and 10-32 x 1/2" flat-head screws, and 10-32 hex nuts for pinning EIA depths.

## Features:

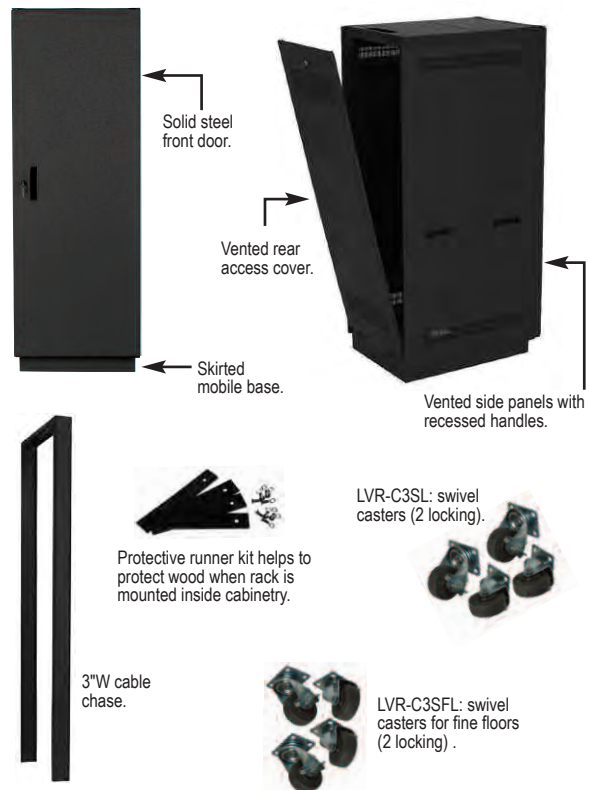
- Removable top knockout panel with .5" knockout for wireless antennae, .75"-.5" and 1.5"-1" knockouts for conduit.
- Openings in top and base are determined by pinning depth of inner adjustment brackets.
- Each top and base section has a vented front for natural heat dissipation. There is also a center cutout (with cover) to mount low voltage Decora-style switches (order switches separately).
- Ships knocked down for freight economies.
- Made in the USA with 100% certified US steel. Black finish.

## Optional: (order separately)

- **Front Door (LVR-FD series):** The front door (solid steel or steel frame with smoked Plexiglas insert) is for a rack set to any depth. It sits 1.38" from frame and mounts left or right (without drilling). Includes key lock.
- **Rear Access Cover (LVR-RAC series):** The rear access cover is suitable for a rack set to any depth. It has vents at the top and bottom for passive heat dissipation and includes a key lock for security. The rear access cover will accept fan panel model FWI-KIT (2 qty.) or FW2-RD (1 qty.) — order separately.
- **Vented Side Panels (LVR---SP series):** Side panels can be ordered for a rack set to either 21"D or 26.25"D. The panels extend 1" beyond rack (.5" front, .5" rear). Each panel is .625" thick, increasing overall rack width to 20.5". The 18-ga. steel panels feature top and bottom vents and recessed side handles. They can be secured with screws. Sold in pairs.
- **Skirted Mobile Base (LVR-MB21 or LVR-MB26):** A mobile base can be ordered for a rack set to either 21"D or 26.25"D. The 14-ga. steel skirted design hides (4) 3" swivel casters and increases rack height by 4.25".
- **Skirted Mobile Base for Fine Floors (LVR-MB21F or LVR-MB26F):** A mobile base can be ordered for a rack set to either 21"D or 26.25"D. The 14-ga. steel skirted design hides (4) 3" swivel casters and increases rack height by 4.25". Casters have a special formula rubber tread that won't mar floors and a tough polyolefin core that helps absorb shocks.
- **Middle-depth Rails (LVR-RRT series):** The 11-ga. steel mounting rails support rear of rackmounted equipment. The rails are specially engineered with a thin flange to fit the VARI-RACK. Sold in pairs.
- **Cable Chase (LVR44-21-CC3):** 3"W raceway for cable management is designed to fit a 44U rack set to 21"D.
- **Protective Runner Kit (PRK):** Set of 4 plastic glides help protect wood when rack is placed inside a credenza or custom millwork.
- **Swivel Casters (LVR-C3S series):** Casters are suitable for a rack set to any depth. Available as 4 swivel, or 2 swivel and 2 swivel-locking.
- **Swivel Casters for Fine Floors (LVR-C3SF series):** Casters are suitable for a rack set to any depth. Special formula rubber tread won't mar floors while the tough polyolefin core helps absorb shocks. Available as 4 swivel, or 2 swivel and 2 swivel-locking.



## Optional:



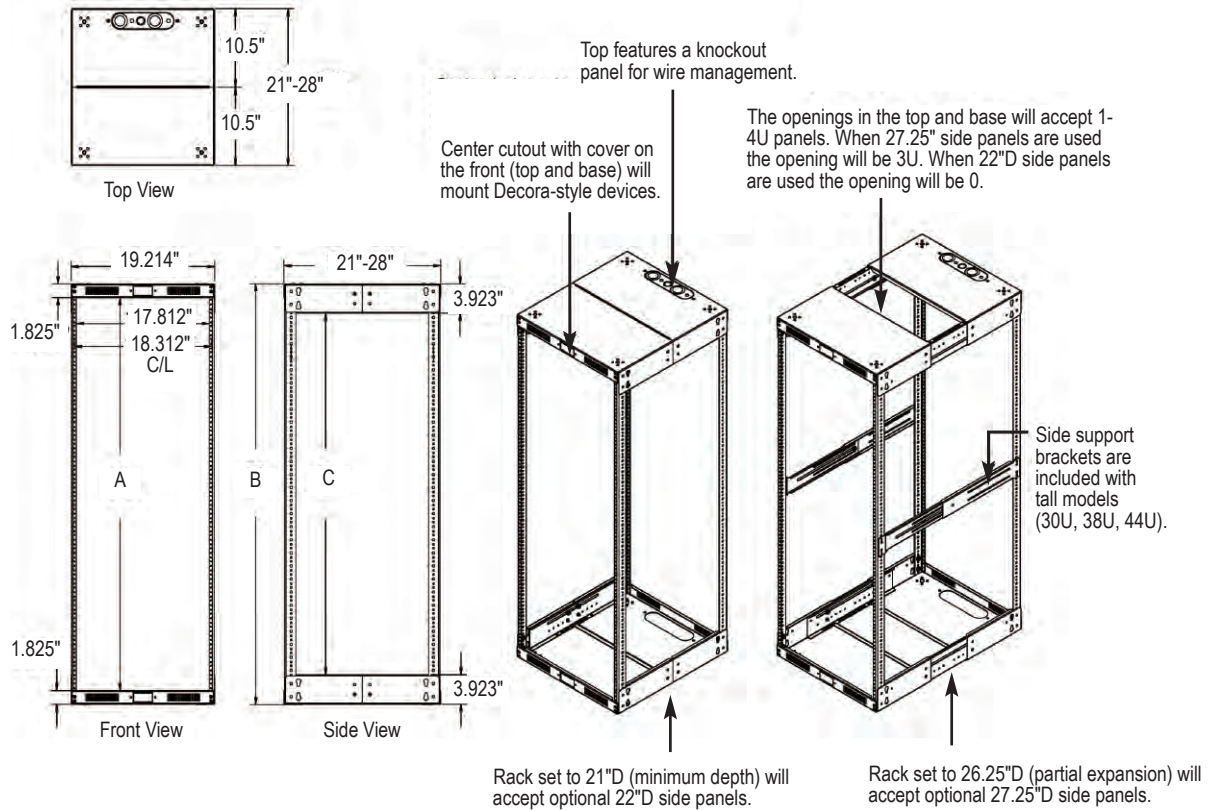
Note: To avoid tipover, use caution when loading or moving a rack mounted on a mobile base or casters.

Spec. No. 1017  
(rev. 03.31.11)  
pg. 1 of 4

©2010 Lowell Manufacturing Company, 100 Ingram Dr., Pacific MO 63069. Phone—800.325.9660 Fax—636.257.6606. Lowell makes every effort to provide accurate information while reserving the right to change specifications and/or improve manufacturing methods without notification. (lowellmfg.com)

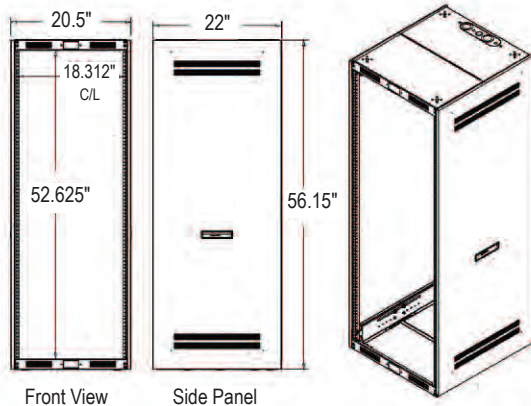
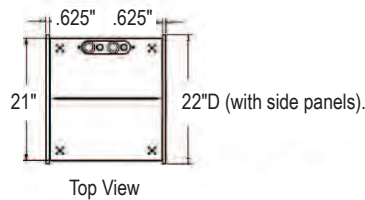
**Lowell™**

# Lowell VARI-RACK® (21-28"D)

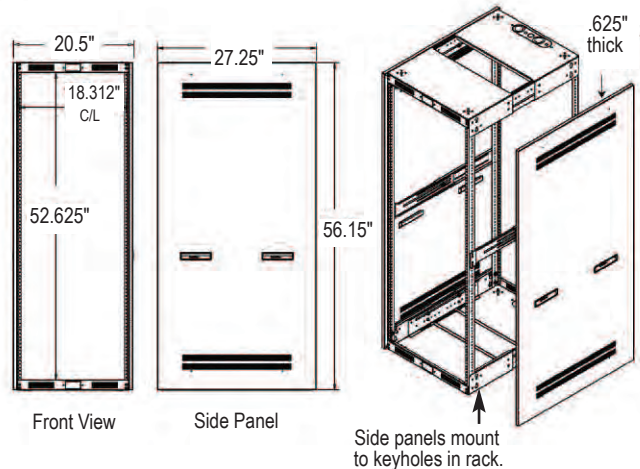
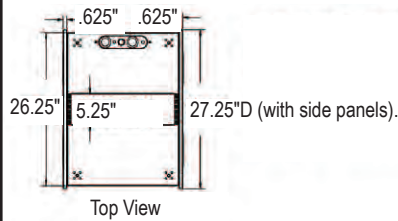


**Optional Side Panels:** Side panels extend 1" beyond rack (.5" front, .5" rear). Each side panel is .625" thick; two side panels will increase overall rack width from 19.214" to 20.5".

22"D side panels mounted to rack model LVR30-2128 (set to 21"D).



27.25"D side panels mounted to rack model LVR30-2128 (set to 26.25"D).



Model: LVR-series

# Lowell VARI-RACK® (21-28"D)

## A&E Specifications:

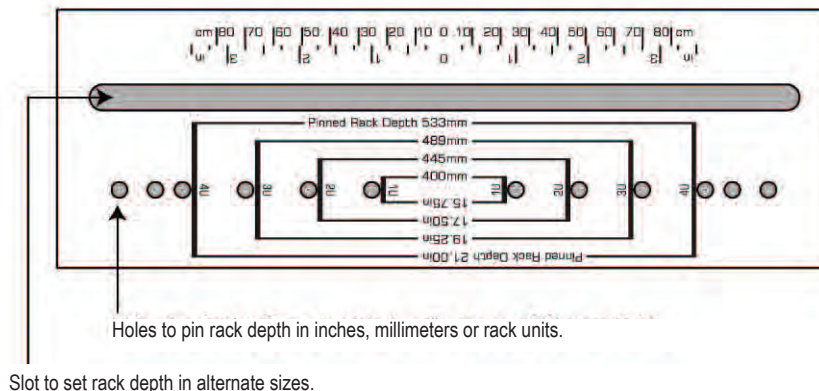
Open frame rack shall be Lowell VARI-RACK® Model \_\_\_\_\_. Rack shall measure 19.214"W and have a variable depth of 21 to 28 inches. Panel space height shall be \_\_\_\_\_ rack units for mounting EIA standard components. Corner post mounting rails shall be 11-gauge steel imprinted with rack unit increments. Rack shall ship knocked down and feature pre-assembled base and top sections. Base and top shall provide variable and pinned depth adjustment in inches, millimeters, and rack unit increments. Rack shall be finished in black powder epoxy and include assembly and panel mounting hardware. Models 30 rack units and taller shall include one pair of side support brackets.

[Optional: Rack shall include one pair of side panels Model \_\_\_\_\_, which shall be \_\_\_\_\_ D and mount to the rack set to the depth of \_\_\_\_\_. Panels shall include recessed handles for lift off access and shall mount to keyhole openings in

rack. Rack shall include front door Model \_\_\_\_\_. Rack shall include rear access cover Model \_\_\_\_\_. Rack shall include one-pair of middle depth mounting rails Model \_\_\_\_\_, four adjustable support brackets and hardware. Rack shall include mobile base Model \_\_\_\_\_. Rack shall include swivel casters Model \_\_\_\_\_. Rack shall include protective runner kit Model \_\_\_\_\_ to protect cabinetry. Rack shall include skirted mobile base Model \_\_\_\_\_. Rack shall include 3"W cable chase Model \_\_\_\_\_.]

## Rack Depth Adjustment:

The VARI-RACK features inner brackets in the top and base that are imprinted with a scale (inches, millimeters, rack units). The brackets can be secured along a variable slot or pinned in EIA increments. The top and base assemblies are shipped in the 21"D position. To extend the top and base to a different depth, remove the four screws/nuts, expand to the desired depth and reinsert the screws/nuts. The 5/16" hex nuts may also need to be loosened and secured.



Model: LVR-series

# Lowell VARI-RACK® (21-28"D)

Model No.	Description	"A" Rack Units*	"A" Panel Space	"B" Overall H	"C" Inside Side H	Overall W	Overall D**	Side Support Brackets	Corner Mtg Rails
<b>Racks:</b>									
LVR8-2128	Lowell VARI-RACK®	8	14.125"	17.841"	9.931"	19.214"	21-28"	0	4
LVR14-2128	Lowell VARI-RACK®	14	24.625"	28.341"	20.431"	19.214"	21-28"	0	4
LVR22-2128	Lowell VARI-RACK®	22	38.625"	42.341"	34.431"	19.214"	21-28"	0	4
LVR30-2128	Lowell VARI-RACK®	30	52.625"	56.341"	48.431"	19.214"	21-28"	2	4
LVR38-2128	Lowell VARI-RACK®	38	66.625"	70.341"	62.431"	19.214"	21-28"	2	4
LVR44-2128	Lowell VARI-RACK®	44	77.125"	80.841"	72.931"	19.214"	21-28"	2	4
<b>Optional Front Door:</b> Front door (solid steel or steel with smoked Plexiglas insert) can be used with rack set to any depth.									
LVR-FD-8	LVR Front Door (solid)	8							
LVR-FD-8P	LVR Front Door (Plexiglas)	8							
LVR-FD-14	LVR Front Door (solid)	14							
LVR-FD-14P	LVR Front Door (Plexiglas)	14							
LVR-FD-22	LVR Front Door (solid)	22							
LVR-FD-22P	LVR Front Door (Plexiglas)	22							
LVR-FD-30	LVR Front Door (solid)	30							
LVR-FD-30P	LVR Front Door (Plexiglas)	30							
LVR-FD-38	LVR Front Door (solid)	38							
LVR-FD-38P	LVR Front Door (Plexiglas)	38							
LVR-FD-44	LVR Front Door (solid)	44							
LVR-FD-44P	LVR Front Door (Plexiglas)	44							
<b>Optional Rear Access Cover:</b> Vented, locking rear access cover can be used with rack set to any depth.									
LVR-RAC-8V	LVR Rear Access Cover	8							
LVR-RAC-14V	LVR Rear Access Cover	14							
LVR-RAC-22V	LVR Rear Access Cover	22							
LVR-RAC-30V	LVR Rear Access Cover	30							
LVR-RAC-38V	LVR Rear Access Cover	38							
LVR-RAC-44V	LVR Rear Access Cover	44							
<b>Optional Side Panels:</b> Rack must be set to 21"D (for 22"D side panels) or 26.25"D (for 27.25" side panels). Panels extend 1" beyond rack (.5" front, .5" back).									
LVR8-21SP	LVR Side Panels (1-pr)	8					22"		
LVR8-26SP	LVR Side Panels (1-pr)	8					27.25"		
LVR14-21SP	LVR Side Panels (1-pr)	14					22"		
LVR14-26SP	LVR Side Panels (1-pr)	14					27.25"		
LVR22-21SP	LVR Side Panels (1-pr)	22					22"		
LVR22-26SP	LVR Side Panels (1-pr)	22					27.25"		
LVR30-21SP	LVR Side Panels (1-pr)	30					22"		
LVR30-26SP	LVR Side Panels (1-pr)	30					27.25"		
LVR38-21SP	LVR Side Panels (1-pr)	38					22"		
LVR38-26SP	LVR Side Panels (1-pr)	38					27.25"		
LVR44-21SP	LVR Side Panels (1-pr)	44					22"		
LVR44-26SP	LVR Side Panels (1-pr)	44					27.25"		
<b>Optional Middle Depth Rails:</b> Rails are designed to "float" within rack height. Select rails that are shorter than rack (10U rails will fit 14, 22, 30, 38, or 44U rack; 16U rails will fit 22, 30, 38 or 44U rack; 24U rails will fit 30, 38 or 44U rack; 32U rails will fit 38 or 44U rack; 40U rails will fit 44U rack).									
LVR-RRT10	LVR Rack Rails (1-pr)	10							
LVR-RRT16	LVR Rack Rails (1-pr)	16							
LVR-RRT24	LVR Rack Rails (1-pr)	24							
LVR-RRT32	LVR Rack Rails (1-pr)	32							
LVR-RRT40	LVR Rack Rails (1-pr)	40							
<b>Optional Cable Chase:</b> Cable chase is for rack model LVR44-2128 set to 21"D or 26.25"D.									
LVR44-21-CC3	LVR Cable Chase - 3"W (for rack model LVR44-2128 set to 21"D)								
LVR44-26-CC3	LVR Cable Chase - 3"W (for rack model LVR44-2128 set to 26.25"D)								
<b>Optional Mobile Base:</b> Skirted base with 4 casters. Rack must be set to 21"D or 26.25"D.									
LVR-MB21	LVR Mobile Base (for rack set to 21"D)								
LVR-MB26	LVR Mobile Base (for rack set to 26.25"D)								
<b>Optional Mobile Base for Fine Floors:</b> Skirted base with 4 casters for fine floors. Rack must be set to 21"D or 26.25"D.									
LVR-MB21F	LVR Mobile Base for fine floors (for rack set to 21"D)								
LVR-MB26F	LVR Mobile Base for fine floors (for rack set to 26.25"D)								
<b>Optional Casters:</b> Set of casters (no base) can be used with rack set to any depth.									
LVR-C3S	LVR 3" Swivel Casters (4 swivel)								
LVR-C3SL	LVR 3" Swivel Casters (2 swivel, 2 swivel-locking)								
<b>Optional Casters for Fine Floors:</b> Set of casters (no base) can be used with rack set to any depth.									
LVR-C3SF	LVR 3" Swivel Casters for fine floors (4 swivel)								
LVR-C3SFL	LVR 3" Swivel Casters for fine floors (2 swivel, 2 swivel-locking)								
<b>Optional Protective Runner Kit:</b> Set of 4 plastic glides can be used with rack set to any depth.									
PRK	Protective Runner Kit								

\*One rack unit = 1.75"      \*\* Depth is determined when rack is set-up.

Spec. No. 1017  
(rev. 03.31.11)  
pg. 4 of 4

©2010 Lowell Manufacturing Company, 100 Integram Dr., Pacific MO 63069. Phone-800.325.9660 Fax-636.257.6606. Lowell makes every effort to provide accurate information while reserving the right to change specifications and/or improve manufacturing methods without notification. (lowellmfg.com)

