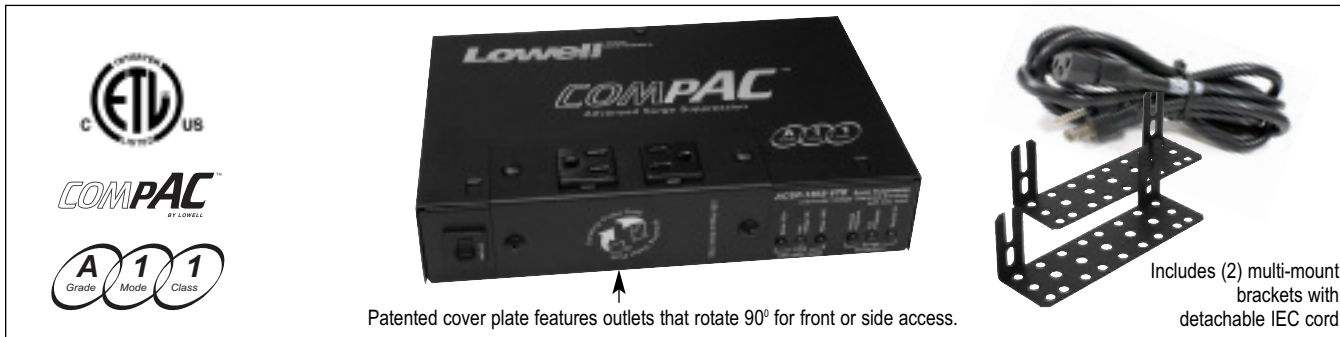




ACSP1502-VTE, ACSP1502-RPC 15A CompAC Surge Suppressors



Patented cover plate features outlets that rotate 90° for front or side access.

Includes (2) multi-mount brackets with detachable IEC cord

Features & Benefits

- Mounts behind flat screens, under counters, in a rack, on a shelf or virtually anywhere with Lowell's exclusive multi-mount brackets (2 - included).
- Offers more amperage - 15A (detachable IEC cord, NEMA 5-15P plug).
- In addition to surge suppression, models include Over/Under Voltage Protection (VTE) or Remote Power Control (RPC).
- ETL Listed, ANSI C62.41 Compliant.
- GSA Grade **A** - Mode **1** - Class **1** Endurance (UL-1449-2 adjunct).
- Suppresses Line to Neutral - NO GROUND CONTAMINATION.
- Defeats surges up to 72,000A using Lowell's exclusive TCR™ surge suppression technology.
- Includes 2 single outlets with patented outlet plate that rotates 90° for front/side access.
- Low profile chassis measures 9"W x 1.75"H x 6"D
- **TEN YEAR WARRANTY.**

Description

Lowell's **compAC** Models ACSP1502-VTE and ACSP1502-RPC are small, easy-to-conceal and easy to plug-in surge suppressors for safeguarding sensitive electronics including audio, video, broadcast, computer, DSP, sound recording/reinforcement equipment, and flat panel monitors / TV's. Both are 15-amp units providing the highest current capacity available in devices of this size to protect multiple pieces of equipment on a single circuit. They are equipped with either Voltage Tolerance over/under protection (-VTE) or Remote Power Control (-RPC) and two multi-mount brackets. Most importantly; all offer the confidence of Lowell's industrial strength surge protection with zero failures and ten year warranty. See also Lowell's 20A CompAC versions and a 15A compAC stic.

CompAC surge suppressors are 9"W x 1.75"H x 6"D and include Lowell's exclusive TCR™* surge suppression technology to defeat surges up to 72,000 amps. They are GSA Grade **A** - Mode **1** - Class **1** Endurance and Performance tested featuring plug-in operation using a detachable IEC cord with NEMA 5-15P plug. Equipment to be protected simply plugs-in to the single outlets. Outlets are spaced for power supplies and mounted to a 90° rotating plate (US Patent# D535178S) allowing the outlets to be used on the top or side of the chassis (See Dia. 3). Front LED's provide visual system status. Two multi-mount brackets allow versatile installation on a wall, behind a flat panel TV, under a counter, in a rack, on a shelf or virtually anywhere (see Dia.1).

Model ACSP1502-VTE also features Voltage Tolerance over/under protection; automatically turning receptacles off when line voltage drops below 100V or rises above 140V (see front panel Dia. 2).

Model ACSP1502-RPC also features Remote Power Control by a Lowell low voltage sequencer, switch, or a control system by others that provides a maintained dry contact closure (see Dia. 2 and Dia. 4).

Specifications

Model ACSP1502-VTE - Includes below specs + VTE (Voltage Tolerance Envelope): VTE is Lowell's Voltage Tolerance, over/under protection feature. It disconnects power from receptacles to prevent equipment damage when line voltage drops below 100 volts or rises above 140 volts. Three LED's provide visual status.

Model ACSP1502-RPC - Includes below specs + RPC (Remote Power Control): RPC is Lowell's Remote Power Control feature that allows AC power to be controlled with a **low voltage** switch contact that is connected to Lowell's SCS Series sequencers or RPS Series remote switches. It includes a test switch, LED for Remote Power Control ON and a terminal block for Switch, Common and V+.

Performance

| | |
|-----------------------------|--|
| Operating Voltage / Current | 120VAC / 15A, 60Hz |
| Maximum Surge Current | 72,000A (exceeds UL1449-2 6000V, 3000A). |
| Initial Clamping Voltage | 205V, UL rating 330V |
| Endurance | IEEE C62.41-1991, B3 (C1), Pulses (lifetime): 1kv≥1,000,000; 3kv≥100,000; 6kv≥5000 |
| Transient Noise Reduction | 29dB@100kHz, 70dB@1MHz |
| Response Time | Less than 5 nanoseconds |
| Temperature Range | 25 degrees C (77 degrees F) nominal |
| Protection Mode | Line to neutral, zero ground leakage |
| UL1449-2 Adjunct Results | 1000 surges, 6000 volts, 3000A, C1 and B3 waveforms (IEEE C62.41), No failures |
| Federal GSA specs (1996) | Grade A, Class 1, Mode 1 |
| Diagnostic LED's (Surge)* | Top (Green): On = Ground verified, Center (Green): On = Protection active, Bottom (Red): On = Protection reduced*. |
| Applicable Standards | IEEE standard 587-80 A & B, IEEE standard C62.41-1991, IEC 1000-4-5-1995 (IEC 801-5). |
| Safety Agency Approvals | ETL Listed. US and Canada |

Mechanical

| | |
|---------------------|--|
| Dimensions / Weight | 9"W x 1.75"H x 6"D / 5 lbs. |
| Input Connections | Detachable IEC cord with NEMA 5-15P plug |
| Output Connections | (2) Single 15A receptacles mounted on 90° rotatable plate. |
| Chassis | Steel with black powder epoxy paint finish. |
| Mounting Options | (2) multi-mount brackets for surface or rack installation. |

* Only Lowell provides TCR™ surge suppression technology with the assurance of Grade A, Class 1, Mode 1 Endurance and Performance testing plus visual diagnostic LED's. The Ground Verified (Green LED), Protection Active (Green LED) should always be ON and the Reduced Protection (Red LED) should be OFF. In the unlikely event the Red LED illuminates; full suppression capability is NOT immediately or even necessarily compromised. The red LED indicates the Overall Life Expectancy of the unit MAY be reduced. Contact Lowell for repair or replacement under Lowell's TEN YEAR WARRANTY.

A & E Specifications

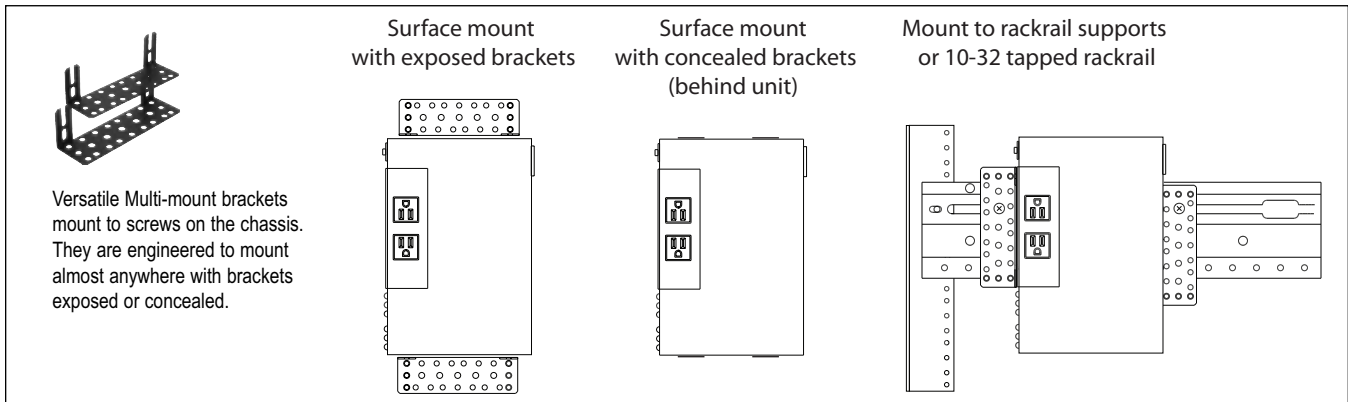
The 15A single-circuit surge suppressor shall be Lowell Model ACSP1502-VTE or ACSP1502-RPC with (2) single outlets. It shall be ETL Listed (UL 1449-2 adjunct) and endurance tested to GSA Grade **A** - Mode **1** - Class **1** requirements for surge suppressors. It shall meet ANSI C62.41 and protect line to neutral without ground wire contamination. It shall be capable of protecting electronic equipment from transient voltages, spikes and surges. It shall include Lowell's TCR™ surge suppression technology to defeat surges up to 72,000 amps and have a response time of less than 5 nanoseconds. It shall surface or rear rack mount using multi-mount brackets and include outlets mounted on a 90° plate that can be rotated for front or side access. The front shall include three LED's for visual ground verification and surge diagnostics. Model ACSP1502-VTE shall additionally include automatic over/under voltage shut-down protection with LED status when voltage drops below 100V or rises above 140V. Model ACSP1502-RPC shall additionally include remote power control capability by a low voltage sequencer, switch or control system that provides a maintained dry contact closure.



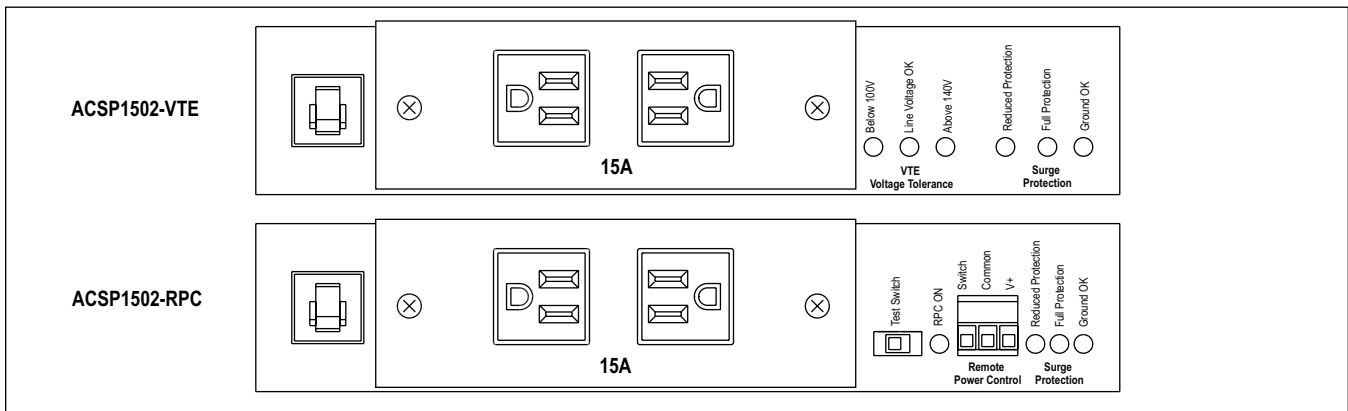
ACSP1502-VTE, ACSP1502-RPC

15A CompAC Surge Suppressors

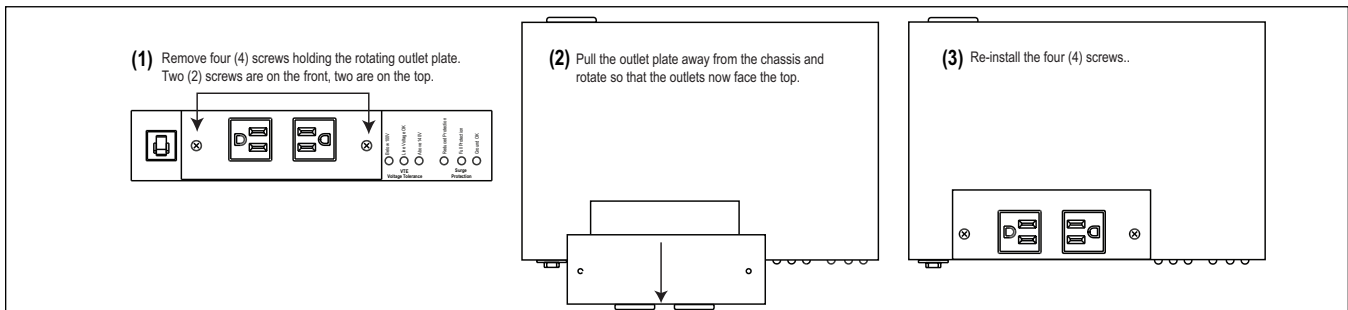
**P
O
W
E
R**



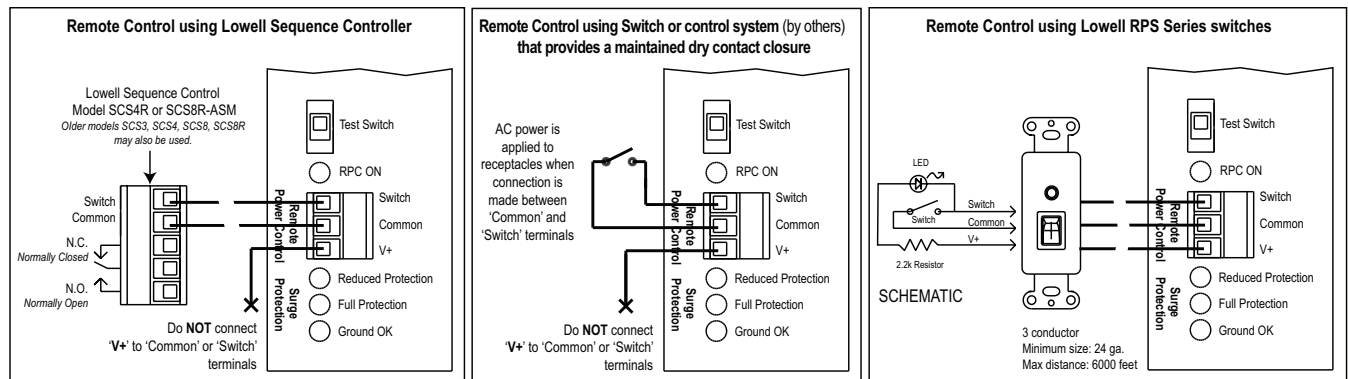
Multi-Mount Bracket Installation (Dia. 1)



Front Panel Layout (Dia. 2)



Rotating Outlet - Rotate for front or top access to receptacles (Dia. 3)



Control Options for ACSP1502-RPC (Dia. 4)

AC Rackmount
19" EIA

AC Strips
Rackmount
Vertical

AC Loadcenters
(sequenced)

AC Surge Protection / Filtering

AC Remotely Controlled

Low Voltage Sequencers
Accessories

Surge Suppressors