

19" Rackmount Panel w/Remote Power Control – 20A Corded

Description:

State of the art surge protector with auto-reset over/under voltage protection and remote power control is ideal for a wide range of applications. Model ACS-PR-RPC1-2009(K) is ETL Listed in the US and Canada to UL Standard 60065. It is a 20A device that provides safeguarded power distribution from a slim rackmount chassis with three unswitched outlets and six switched outlets that can be remotely controlled. Unit is offered with rocker or key switch activation.

The surge suppressor is UL1449 third edition and ANSI C62.41 compliant. VTE circuitry with auto-reset is designed to turn all receptacles off when line voltage exceeds 140V or drops below 100V for circumstances such as extended line voltage rises or sags. Following a voltage tolerance shutdown event, the unit will automatically restore power to the receptacles when the unit detects acceptable line voltage. If the shutdown event was a power outage, the switched receptacles will remain off until reactivated.

The unit's remote power control (RPC) circuitry allows for on/off control by external DSP timed events. Termination blocks on the rear are available for connecting remote switches (momentary) and remote triggers (maintained) for on/off functions. An integral override termination block is also included for life safety system applications where fire code mandates an alarm interface.

The 19"W x 1-3/4"H (1U) surge suppression device with remote power control and over/under voltage protection features multi-color LEDs for easy visual identification of system status. The unit is backed by a 10-year warranty and is available with rocker or key switch activation; Models ACS-PR-RPC1-2009 and ACS-PR-RPC1-2009K respectively. Termination is by a nine foot cord with NEMA 5-20P plug.

Features:

- 20A power panel with remote power control and surge protection.
- Surge protector features auto-reset over/under voltage protection.
- Remote power control allows for remote triggering of on/off functions.
- Integral override facilitates use in life safety applications where fire code mandates an alarm interface.
- Ten-year warranty.
- Rocker-switch or key-switch activation.
- ETL Listed in the US and Canada.
- Made in the U.S.A.

A & E Specifications:

The AC control device shall be Lowell Model _____ with surge protector, auto-reset over/under voltage protection, remote power control, and EMI/RFI filtering. It shall be an ETL Listed 20A device that provides safeguarded power distribution from a 1U rackmount chassis with three unswitched outlets (1 front, 2 rear) and six switched outlets that can be remotely controlled. It shall include an alarm interface with lock on, lock off and switch lock functions. Front actuation shall be via _____ (rocker switch, keyswitch).

Model No. ACS-PR-RPC1-2009K



Specifications:

<u>General</u>	
Power Rating:	120VAC, 60Hz, 20A 2400W
Actuation Switch:	Front panel rocker or keyswitch with momentary contacts (normally open SPST) plus rear barrier strip termination blocks for momentary (normally open) remote switches and DSP timed events.
External Trigger Voltage:	12-24 volts AC or DC, 5mA
Alarm Interface:	Lock on, lock off and switch lock functions for alarm system or master control panel applications.
Over/Under Voltage Protection:	All receptacles turn off when power in exceeds 140V or drops below 100V. Receptacles turn back on when power returns to acceptable range.
External Control Connections:	Plug-in barrier strip terminal blocks
Termination:	9 foot cord with NEMA 5-20P plug
EMI/RFI Filter:	19dB@500kHz, 42dB@30MHz
Safety Agency Approvals:	ETL Listed in US and Canada to UL Standard 60065 "Audio, Video & Similar Electronic Apparatus".
<u>Surge Suppressor</u>	
Maximum Surge Current	72,000A (exceeds UL1449-3 6000V, 3000A).
Initial Clamping Voltage	205V, UL rating 330V
Endurance	IEEE C62.41-1991, B3 (C1), Pulses (lifetime): 1kv≥1,000,000; 3kv≥100,000; 6kv≥5000
Transient Noise Reduction	25dB@100kHz, 50dB@1MHz
Response Time	Less than 5 nanoseconds
Protection Mode	Line to neutral, zero ground leakage
UL1449-2 Adjunct Results	1000 surges, 6000 volts, 3000A, C1 and B3 waveforms (IEEE C62.41), No failures
Diagnostic LEDs	Left (Green): On = Ground verified, Center (Green): On = Protection active, Right (Red): On = Protection reduced*.
Applicable Standards:	IEEE standard 587-80 A & B, IEEE standard C62.41-1991, IEC 1000-4-5-1995 (IEC 801-5).
<u>Mechanical</u>	
Dimensions:	19"W x 1.75"H (1U) x 9"D
Weight:	12 lbs.
Receptacles: (9)	Front: One single unswitched (always on) Rear: Two single unswitched (always on) Two single switched Two duplex switched
Chassis:	Steel with black powder epoxy paint finish.

*Lowell's Triple Clamping Redundancy is exactly that - triple clamping for triple protection. This means that if one section of the suppressor has "reduced protection", there are two additional sections available to safeguard equipment. Device is endurance tested.

Model	Description	Amperage	On/Off Switch
ACS-PR-RPC1-2009	AC Rackmount Panel (1U) with remote control, advanced surge suppression	20A	Rocker
ACS-PR-RPC1-2009K	AC Rackmount Panel (1U) with remote control, advanced surge suppression	20A	Key

19" Rackmount Panel w/Remote Power Control – 20A Corded

Model No. ACS-PR-RPC1-2009K

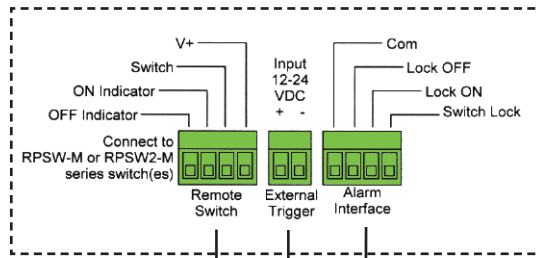


Front



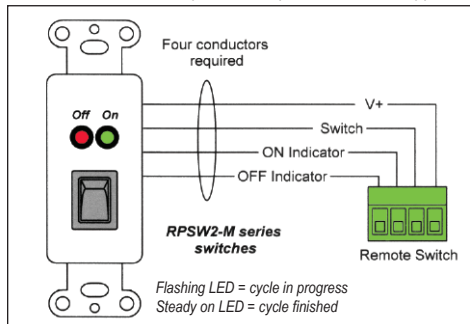
Rear

Includes 9-ft. attached cord with NEMA 5-20P plug.



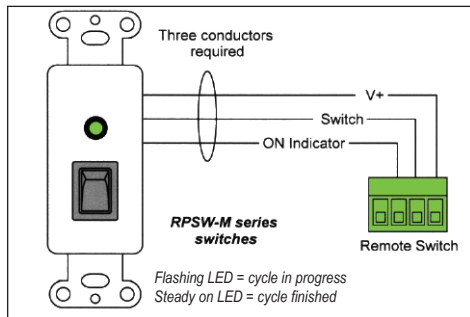
Remote Switch

Unit may be controlled using a momentary closure switch that is remotely located (order separately).



Momentary Switches with 2 LEDs

Wall Plate Series: RPSW2-MP (white), RPSB2-MP (black)
Rack Panel Model: RPSB2-MR (1U)



Momentary Switches with 1 LED

Wall Plate Series: RPSW-MP (white), RPSB-MP (black)
Rack Panel Model: RPSB-MR (1U)

Maximum wire distances	
24ga.	20,000 ft (approx. 3.5 miles), 22ga.: 31,200 ft. (approx. 5.5 miles), 18ga.: 76,800 ft. (approx. 13.5 miles)

External Trigger

Unit may be controlled by providing a maintained trigger voltage from a separate control system (provided by others).

Note: Utilizing this control method does not disable latching function of the front panel switch. If the unit is to be controlled exclusively by external trigger voltage, remove cover and disable front panel switch by unplugging the 2-conductor ribbon cable. This will prevent an inadvertent push of the front panel switch from keeping the unit on after the trigger voltage is removed.

Alarm Interface

If required by local building code, facility usage, or the Fire Marshal; the system switches can be overridden and the system controlled by contact closures provided by the fire alarm panel or other similarly installed device. A maintained contact between the 'com' terminal and any of the terminals shown will provide the following functions.

Lock Off: A maintained contact between the 'com' terminal and the 'lock off' terminal will turn the system off and keep it off regardless of other switch activations. If the system is already off, it will be kept off.

Lock On: A maintained contact between the 'com' terminal and the 'lock on' terminal will turn the system on and keep it on regardless of other switch activations. If the system is already on, it will be kept on.

Switch Lock: A maintained contact between the 'com' terminal and the 'switch lock' terminal will lock the system in its current state, either on or off, regardless of any other switch activations. Note: Switch lock function is overridden by External Trigger voltage.

Caution: Do not allow alarm system to make more than one of the above described contacts at the same time. Controller board damage may result.