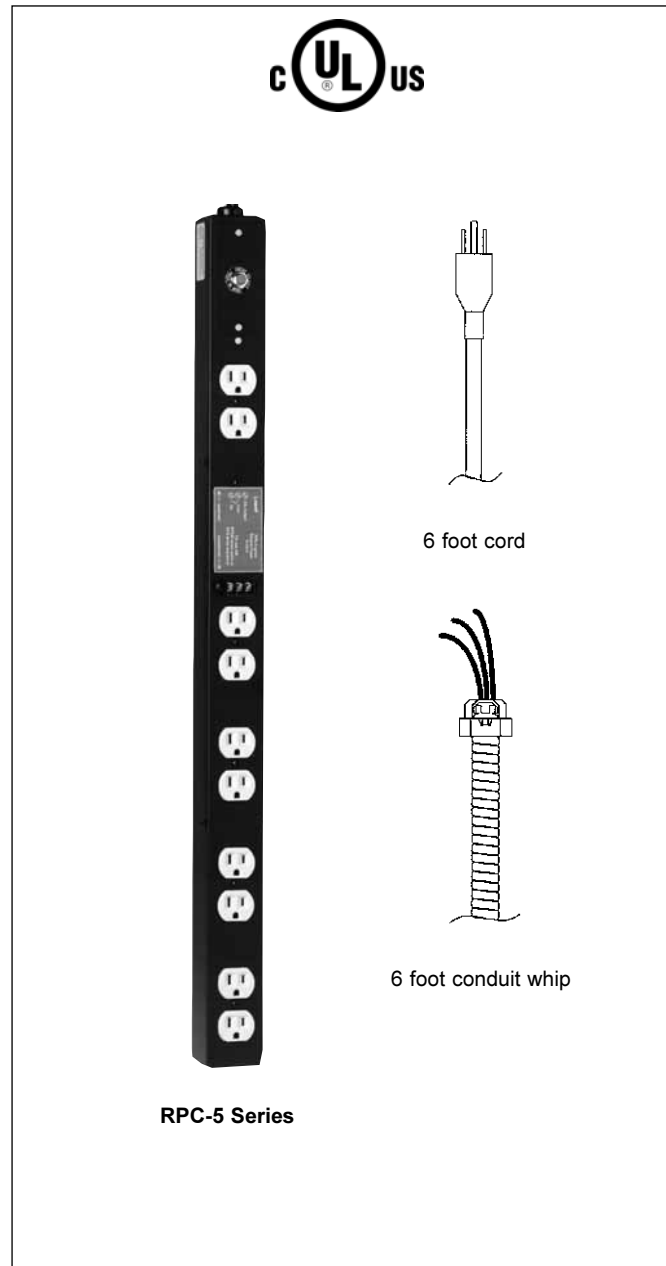


Description

Lowell RPC-5 UL Listed remote power control may be combined with a variety of switches, modules, and/or sequential control devices (manufactured by Lowell or others) to provide a versatile low-voltage method of turning specific equipment on and off from a remote location. The ability to safely control AC power distribution without directly accessing equipment minimizes the potential for accidental or unauthorized system modifications, adjustments, or vandalism. System integration applications include commercial, educational, entertainment, government, and religious facilities where remote power control is desired. Assemblies are UL Listed under Standard 813.

RPC-5-MC and **RPC-5-CD** are 20-amp vertical strip style remote power controls with five duplex outlets (four switched, one unswitched), power supply, relay, circuit breaker, and a six foot conduit whip or six foot cord with grounded plug (Nema 5-15) respectively. Narrow chassis design is 30"L x 2"W x 2"H and includes a separate mounting channel for versatile installation into cabinets with adjustable or fixed rails. Each assembly is finished in black powder epoxy.

Series RPC 5 (rack strip style) controls are designed to mount in close proximity to the equipment that is to be remotely switched. Low-voltage, 3-conductor cable is then run from the RPC terminal strip to a control switch such as Lowell wall switch Model RPSW-P (figure 1) or rackmount panel switch Model RPSB-R. Systems may also be configured with multiple RPC controls activated by a single switch (figure 1) or with one or more RPC controls activated by multiple switches (figure 2). RPC controls are also a key component in Lowell's modular sequential control systems for installations where equipment must be activated in a time/delay sequence. See specifications on Lowell's low voltage sequencers.



RPC-5 Series

RPC-5 Series UL Listed* Remote Power Controls

Model	Style	Power Rating	Outlet Type	Size	Termination	Switch Type
RPC-5-MC	Vertical Strip	20A, 125vac	5 duplex (4 switched, 1 unswitched)	30"L x 2"W x 2"H	6 foot conduit whip	Dry contact**
RPC-5-CD	Vertical Strip	20A, 125vac	5 duplex (4 switched, 1 unswitched)	30"L x 2"W x 2"H	6 foot cord	Dry contact**

*UL File No. E210920 (UL 813).

**Minimum rating 30 vdc, 40 mA.



RPC-5 Series

Vertical Strip Remote Power Control

P O W E R

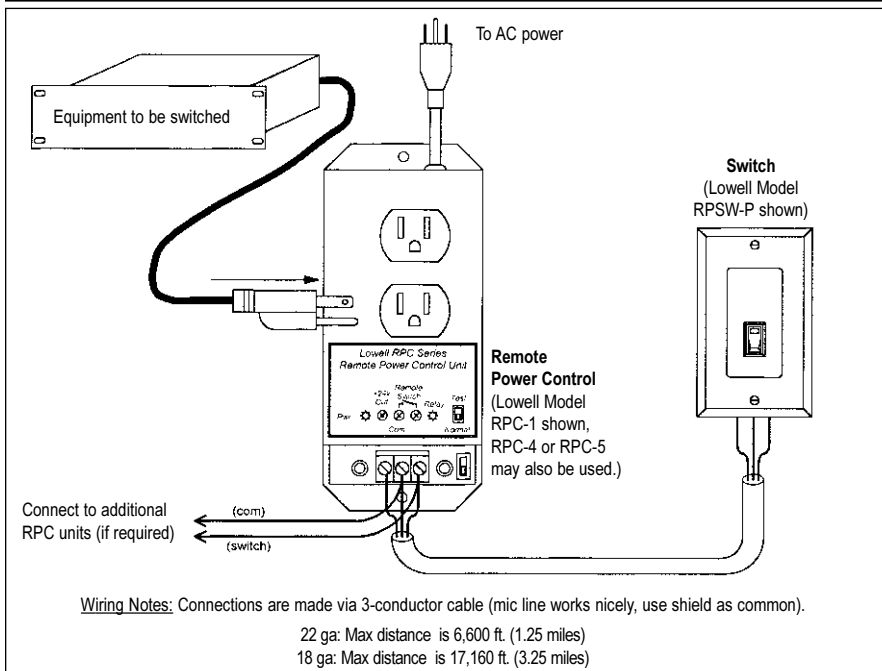


Figure 1

One or multiple RPC controls activated by a single switch.

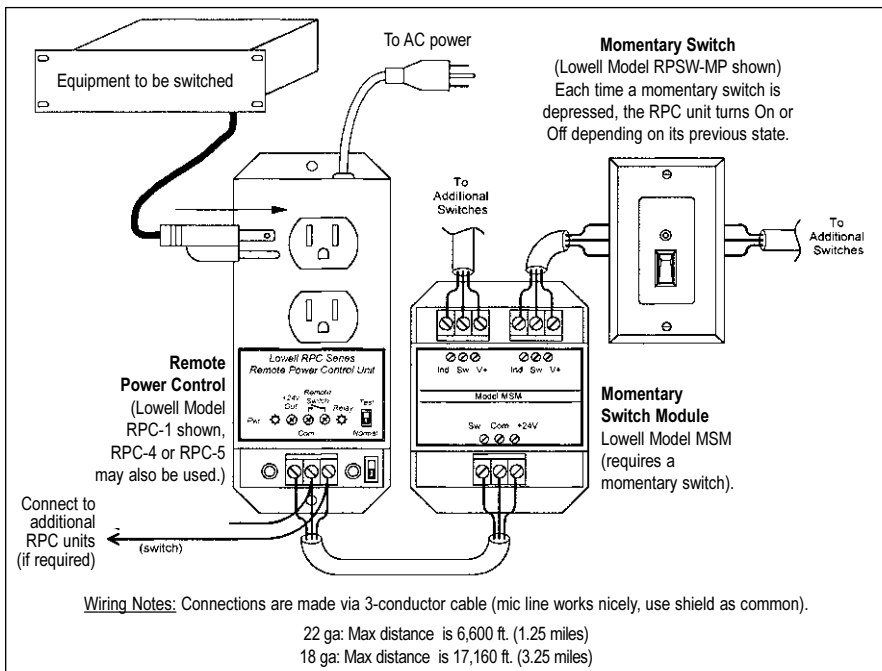


Figure 2

One or multiple RPC controls activated by multiple switches.

Switches - Series RPSW and RPSB
Choose maintained or momentary-style closure, wall plate or rackmount styling, rocker or key switch activation.

Momentary Switch Module Model MSM
(Use with momentary-style switches)

Power control sequencers - Series SCS
Choose 1RU rackmount or chassis style for time-delayed power up and down of equipment.

A & E Specifications

Device for remote AC power control shall be Lowell 20-amp vertical strip power control Model _____ (RPC-5-MC, RPC-5-CD). Device shall include five duplex outlets, a power supply, relay, and circuit breaker. Device shall terminate with a _____ (6 foot conduit whip, six foot cord). Series RPC-5 shall measure 30"L x 2"W x 2"H.

Single Switch Applications:

Remote switching device for single switch applications shall be Lowell wall switch Model _____ (RPSW-P with rocker switch, RPSW-KP with keylock switch) or rack panel switch Model _____ (RPSB-R with rocker switch, RPSB-KR with keylock switch).

Multiple Switch Applications:

To remotely control one or more RPC units, Lowell momentary switch module Model MSM and momentary wall switch Model _____ (RPSW-MP with rocker switch, RPSW-MKP with keylock switch) or momentary rack panel switch Model _____ (RPSB-MR with rocker switch, RPSB-MKR with keylock switch) shall be used.

AC Rackmount 19" EIA

AC Strips Rackmount Vertical

AC Loadcenters (sequenced)

AC Surge Protection / Filtering



Lowell accessory devices (order separately)

Switches with Maintained Closure (single switch uses)

- RPSW-P** SPST maintained 1LED rkr 1 gang plate
- RPSW-KP** SPST maintained 1LED key 1 gang plate
- RPSB-R** SPST maintained 1LED rkr 19W x 1RU
- RPSB-KR** SPST maintained 1LED key 19W x 1RU

Switches with Momentary Closure (multiple switch uses)

- RPSW-MP** SPST mom 1LED rkr 1 gang plate
- RPSW-MKP** SPST mom 1LED key 1 gang plate
- RPSB-MR** SPST mom 1LED rkr 19W x 1RU
- RPSB-MKR** SPST mom 1LED key 19W x 1RU

Momentary Switch Module

MSM Module for RPC & SCS-4

Power Control Sequencers

- SCS-4R** 4 ch time delay 19W x 1RU
- SCS-4** 4 ch time delay 7x3.25x1.5
- SCS-8R** 8 ch time delay 19W x 1RU
- SCS-8** 8 ch time delay 10x3.25x1.5

Low Voltage Sequencers Accessories

Vertical Strips