

20A AC Power Strip with Attached (Fixed) Cord

Description:

These 20A AC power strips provide convenient access to power in racks and cabinets. The UL Listed devices feature single outlets spaced to accept large power supplies (wall warts) and terminate to an attached (fixed) 12-ft. cord with NEMA 5-20P molded plug. Includes common mode transient voltage surge suppression (UL 1449-3 Listed) with an LED indicator and a 20A circuit breaker. Installs to rack with mounting clip and screw. Black chassis. Imported.

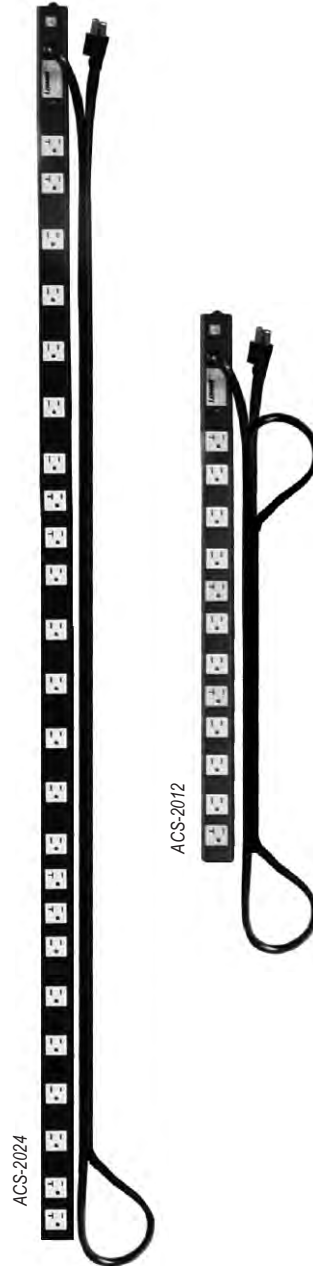


Features:

- White outlets provide high visibility inside dark cabinets and are spaced to allow room for large “wall-wart” power supplies.
- 12-ft. cord with NEMA 5-20P molded plug
- Common mode transient voltage surge suppression (UL 1449-3 Listed) with LED indicator and 20A circuit breaker:
 - Suppressed voltage rating: 400V
 - Energy dissipation: 450 Joules (8 x 20us waveform)
 - Lines protected: L-G, L-N, N-G
 - Maximum surge: 6000V
 - Maximum peak current: 6500 Amperes (L-G, L-N, N-G)
 - Response time: less than one (1) nanosecond
 - Noise filtering: EMI / RFI
 - LED is on when protection is active
- Bag of cable ties (to secure power supplies) and mounting clip/screw
- Imported
- Model ACS-2012: 8 single 15A outlets and 4 single 20A outlets (12 total) on 32"L chassis.
- Model ACS-2024: 16 single 15A outlets and 8 single 20A outlets (24 total) on 70"L chassis.

A & E Specifications:

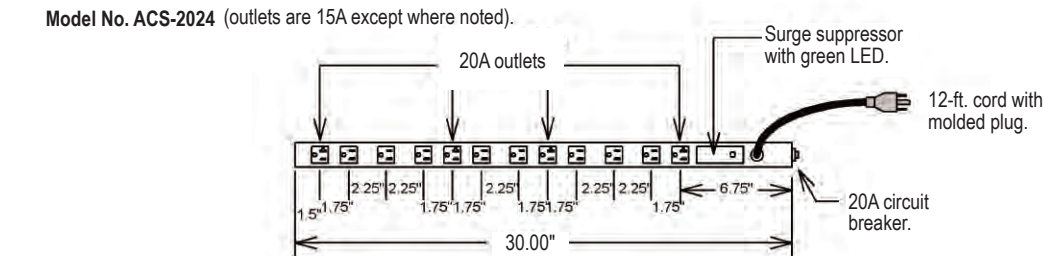
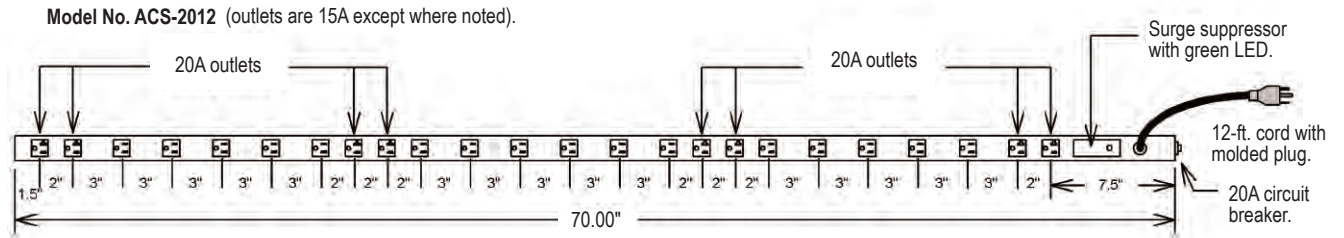
The UL Listed power strip shall be Lowell Model _____. Power rating shall be 20A with circuit breaker protection and an LED indicator that is lit when protection is active. The power strip shall have a suppressed voltage rating of 400V with maximum surge at 6000V and 6500 Amperes maximum peak current. Power strip shall include _____ outlets spaced to accept power supplies. It shall be terminated with a twelve foot cord and molded plug. It shall install to adjustable or fixed rail racks with a mounting clip and screw.



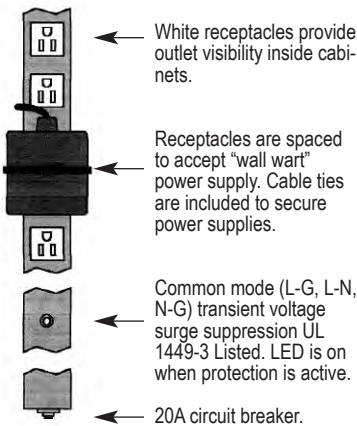
Model No.	Description	Power	15A Outlets	20A Outlets	NRTL	Surge Suppression	Chassis Size
ACS-2012	AC Power Strip with fixed (attached) cord	20A	8 single	4 single	ETL	Yes	32" x 1.625" x 1.375"
ACS-2024	AC Power Strip with fixed (attached) cord	20A	16 single	8 single	ETL	Yes	70" x 1.625" x 1.375"

20A AC Power Strip with Attached (Fixed) Cord

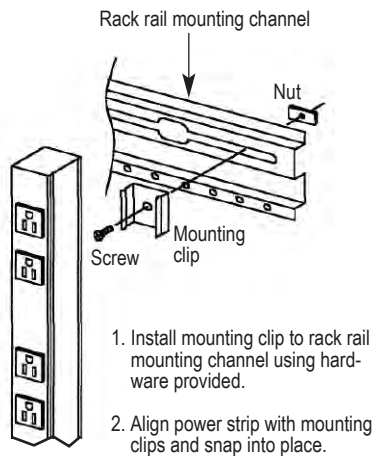
Front Panel Layout



Features



Installation: adjustable mounting rails



Installation: fixed mounting rails

