

AC Power Strips with Remote Control – 20A Hardwired

Description:

Model ACS-2010-RPC-HW is a 20A, hardwired power strip with a total of 10 outlets (5 duplex) and a Remote Power Control (RPC) terminal that allows for low voltage on/off switching of devices plugged into the strip. Unit can be combined with a variety of remote switches and/or sequencers to achieve a versatile, low-voltage method of turning specific equipment on and off from a remote location. Operational convenience combined with the ability to safely control AC power distribution without directly accessing equipment minimizes the potential for accidental or unauthorized system modifications, adjustments or vandalism.

Power strip features 10 outlets (5 NEMA 5-20R duplex with 4 switched, 1 unswitched), Remote Power Control terminal and multi-mount brackets. Strip terminates to flexible (non-metal) conduit with pigtail leads at the end and a rotating connector on the chassis. Conduit length is 6-foot and may be easily trimmed in the field to meet wire looming needs.

Chassis is 30"L x 2"W x 2"H rugged steel construction finished in durable black powder epoxy paint. Assembly is ETL Listed and Made in the USA. The strip is easily installed in nearly any application with versatile outlet orientation facing forward, center or rear using Lowell's Multi-mount brackets. The brackets allow the power strip to be installed easily and in close proximity to equipment that is to be plugged in and remotely switched. Low-voltage cable is then run from the RPC terminal to a remote switch or sequencer.

Features:

- 20A Power strip with remote power control terminal for on/off switching of equipment from a separate location using remote switches or sequencers (order separately).
- Five duplex outlets (4 switched, 1 unswitched) for a total of 10 receptacles.
- Strip terminates to flexible conduit that is 6-foot long and may be field cut to shorter lengths.
- Rugged steel chassis is finished in durable black epoxy paint.
- Multi-mount brackets provide mounting versatility nearly anywhere including racks, walls and surfaces of most kinds.
- ETL Listed (US and Canada)
- Made in the USA

A & E Specifications:

ETL Listed power strip with low voltage remote power control of connected devices shall be US-made, Lowell Model ACS-2010-RPC-HW. Power rating shall be 20A. Power strip shall include four switched and one unswitched NEMA 5-20R duplex receptacles. It shall also include a Remote Power control terminal for low voltage cable to be run from the strip to remote switch(es) or sequential control device(s). The chassis shall measure 30"L x 2"W x 2"H and shall terminate with rotating connector to flexible, non-metal conduit that is 6-foot long with pigtail leads. Chassis shall be heavy gauge steel finished in black powder epoxy. It shall install to cabinets with adjustable or fixed mounting rails and to walls and desk surfaces using multi-mount brackets and hardware provided. [Remote power control accessories shall be Lowell remote switch Model _____ or Sequencer Model _____.]



ACS-2010-RPC-HW

Compatible Switches and Sequencers for Remote Power Control Operation	
<i>Remote Switches (order separately)</i>	
RPSW-P	SPST lighted 1-gang wallplate, rocker switch
RPSW-KP	SPST lighted 1-gang wallplate, key switch
RPSB-R	SPST lighted 1U panel, rocker switch
RPSB-KR	SPST lighted 1U panel, key switch
<i>Sequencers (order separately)</i>	
SCS-4R	Low voltage 4-channel time delay, rocker switch, 1U
SCS-4RK	Low voltage 4-channel time delay, key switch, 1U
SCS8R-ASM	Low voltage 8-channel time delay & alt sequence mode, rocker switch, 1U
SCS8RK-ASM	Low voltage 8-channel time delay & alt sequence mode, key switch, 1U
SCS-4	Low voltage 4-step sequencer, non-rackmount
SCS-8	Low voltage 8-step sequencer, non-rackmount

Model	Description	Power Rating	Outlets*	Termination (hardwire)	Remote Power Control	Overcurrent Protection	NRTL Listing	Size (LxWxH)
ACS-2010-RPC-HW	AC Power Strip w RPC	20A, 125 VAC	10 total	6 ft. flex conduit	Terminal	--	ETL	30" x 2" x 2"

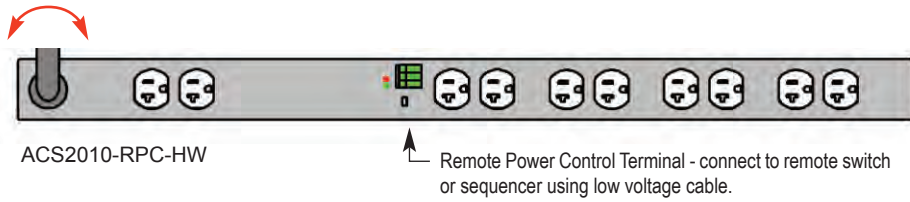
*5 duplex (4 switched, 1 unswitched) = total of 10 outlets



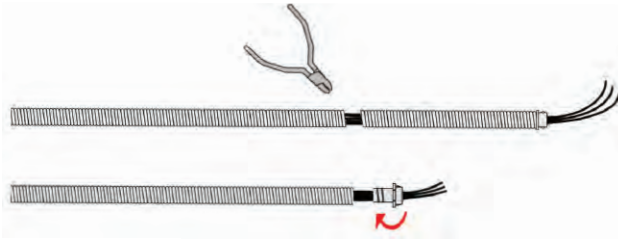
AC Power Strips with Remote Control – 20A Hardwired

Front Panel Layout

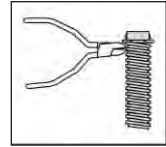
6-ft. flexible (non-metallic) conduit has rotating connector.



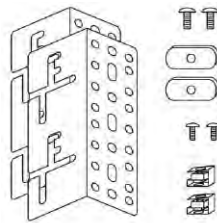
Non-metallic Flexible Conduit can be Trimmed in the Field



1. Snip reinforcing rib at desired length. Bend and carefully cut around conduit without cutting wires inside. Remove excess conduit.
2. Snip 2 or 3 ribs around the connector and remove connector from excess conduit.
3. Attach connector to shortened conduit length.



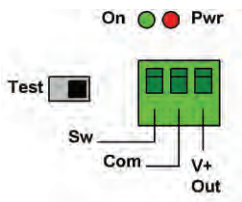
Multi-Mount Brackets



Brackets include multiple hardware sets for versatile installation in racks or on wall or desk surfaces.

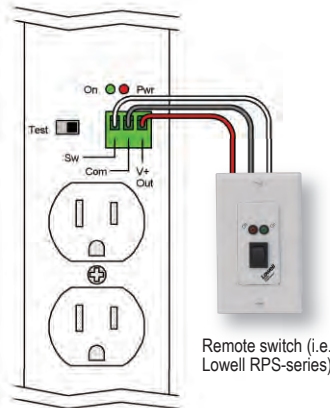
- (2) Brackets
- (2) 1/4"-20 x 1/2" screws
- (2) flat nuts
- (2) 10-32 x 1/2" screws
- (2) cage nuts

Remote Power Control Function



- On** Green LED Indicates AC power is applied to receptacles.
- Power** Red LED indicates AC power is available.
- Test** Test applies power to receptacles independent of remote sequencer or switch.
- SW, Com** Connection between Switch and Common terminals activates internal relay and applies power to receptacles.
- V+ Out** +24VDC output. Use only with RPS-series switches.

Remote Power Control Connection to remote switches (wall or rackmount)



Remote Power Control Connection to sequencers or control systems with dry contact closure

