

AC Power Strips, Multi-Circuit – 20A Hardwired

Description:

ETL-listed power strip models ACS-2020-6C-HW and ACS-2020-IG-6C-HW are designed for applications where multiple AC power circuits are required to safely power equipment mounted inside a rack or cabinet. The power strips each feature a total of 20 outlets (10 duplex) that are wired into six independent circuits and grouped as shown. Each circuit has a 20 amp power rating. Connections are made via numbered pigtail leads. The chassis includes provisions for mounting into racks with adjustable or fixed mounting rails and a minimum panel space height of 61.25" (35U) or they can be bolted to a wall or other flat surface. Steel chassis is finished in black powder epoxy.

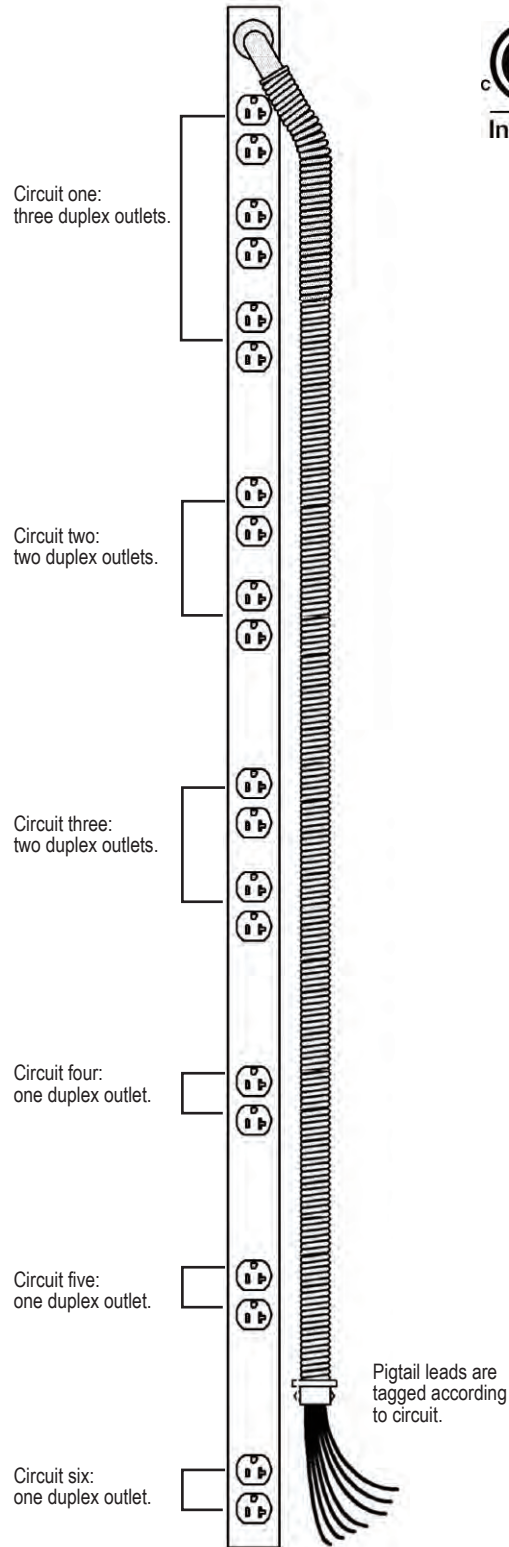
- Model No. **ACS-2020-6C-HW** has 20 outlets (10 duplex)
- Model No. **ACS-2020-IG-6C-HW** has 20 insulated ground outlets (10 duplex)

Features:

- 60"L x 2"W x 2"H
- 20A power rating for each circuit; 6 circuits total
- Terminates to 6-ft. non-metallic, flexible whip with pigtail leads.
- Made in USA
- ETL-Listed

A & E Specifications:

ETL-Listed power strip shall be Lowell model _____. Power rating shall be six 20A circuits. Power strip shall provide at total of 20 outlets (10 duplex or 10 isolated ground duplex) wired into 6 independent 20-amp circuits. Circuit 1 shall have 3 grouped duplex outlets, Circuits 2 and 3 shall have 2 grouped duplex outlets, Circuits 4-6 shall have 1 duplex outlet each. Termination shall be via a 6-foot non-metallic, flexible conduit with numbered pigtail leads. The chassis shall measure 60"L x 2"W x 2"H and shall include hardware for mounting to racks with adjustable or fixed rails. It shall have a black powder epoxy finish.



Model No.	Description	Power Rating	Outlets	Termination	NRTL Rating	Size
ACS-2020-6C-HW	AC 6-circuit Power Strip	20A	20 (10-duplex)	6-ft. non-metallic whip with pigtail leads	ETL	60" x 2" x 2"
ACS-2020-IG-6C-HW	AC 6-circuit Power Strip	20A	20 IG (10-duplex)	6-ft. non-metallic whip with pigtail leads	ETL	60" x 2" x 2"

AC Power Strips, Multi-Circuit – 20A Hardwired

Non-metallic Flexible Conduit can be Trimmed in the Field



1. Snip reinforcing rib at desired length. Bend and carefully cut around conduit without cutting wires inside. Remove excess conduit.

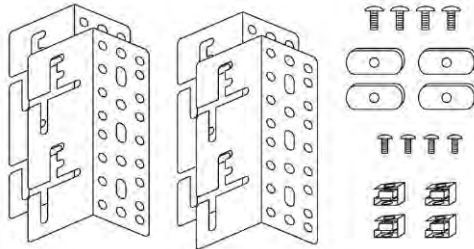


2. Snip 2 or 3 ribs around the connector and remove connector from excess conduit.



3. Attach connector to shortened conduit length.

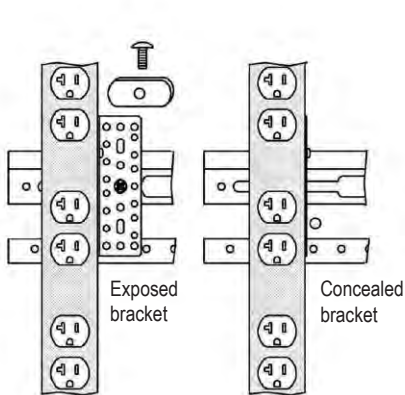
Multi-Mount Brackets



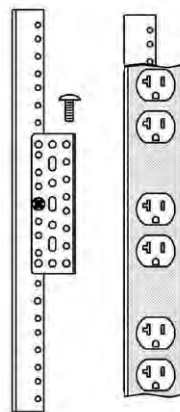
Brackets include multiple hardware sets for versatile installation (see Dia. A).

- (4) Brackets
- (4) 1/4"-20 x 1/2" screws
- (4) flat nuts
- (4) 10-32 x 1/2" screws
- (4) cage nuts

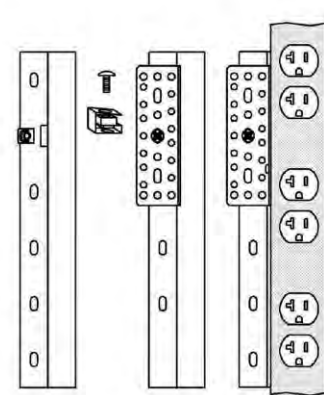
(Dia. A) Power strip installation in racks using Multi-Mount brackets



- Rack Type:** Adjustable Rail
Strip location: Side of Rack (horiz. supports)
Mtg. Hardware: Multi-Mount Brackets, 1/4"-20 screws, flat nuts



- Rack Type:** Adjustable Rail
Strip location: Rear rail
Mtg. Hardware: Multi-Mount Brackets, 10-32 screws



- Rack Type:** Fixed Rail
Strip location: Rear Z-angle
Mtg. Hardware: Multi-Mount Brackets, 10-32 screws, cage nuts