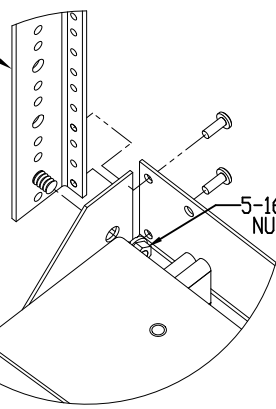


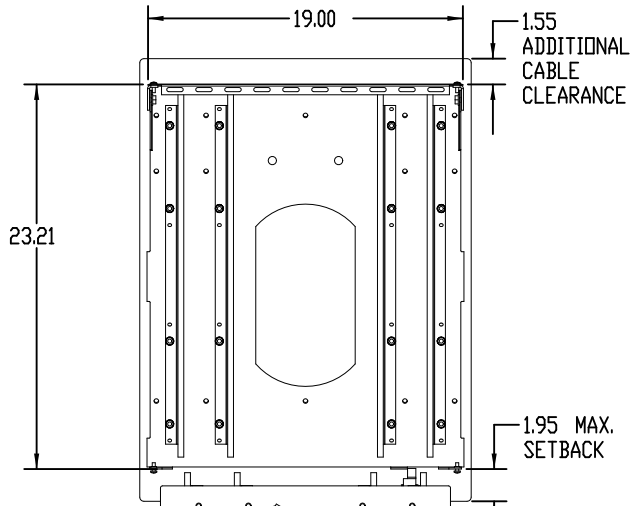
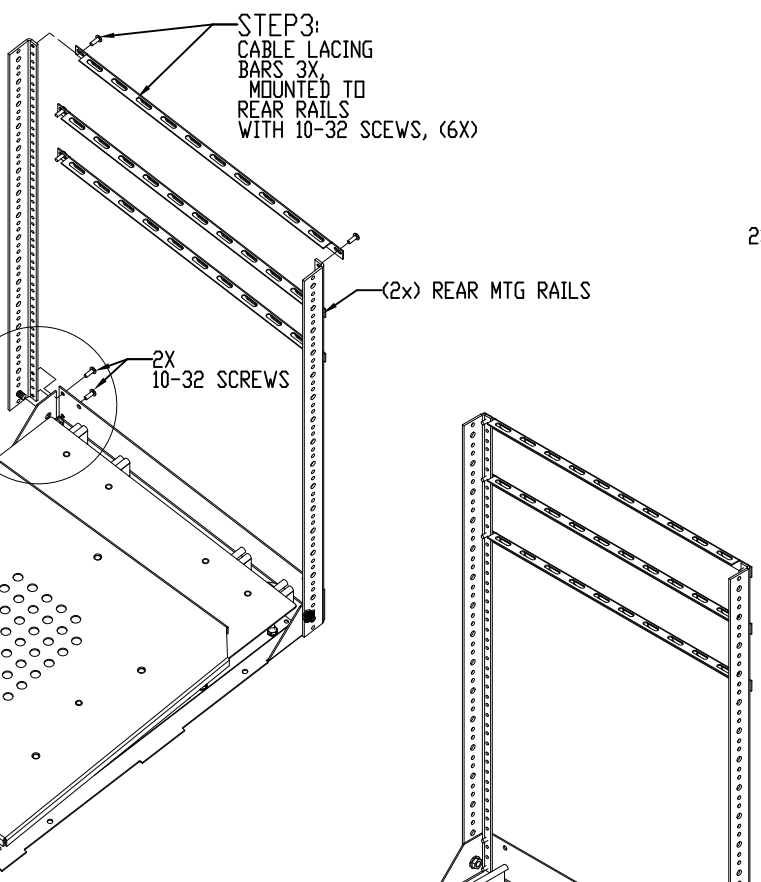
STEP 1:
ATTACH REAR MOUNTING RAILS, INSERT STUD THRU HOLE ON FLANGE AND FASTEN WITH 5-16 NUT, 1 PER SIDE



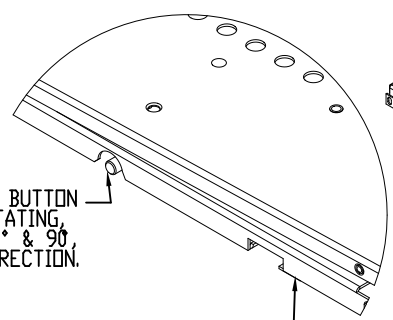
STEP 2:
ATTACH REAR RAILS FROM BACK WITH (2) 10-32 SCREWS, 2 PLACES

DETAIL A
SCALE 1 : 2

STEP 3:
CABLE LACING BARS 3X, MOUNTED TO REAR RAILS WITH 10-32 SCREWS, (6X)



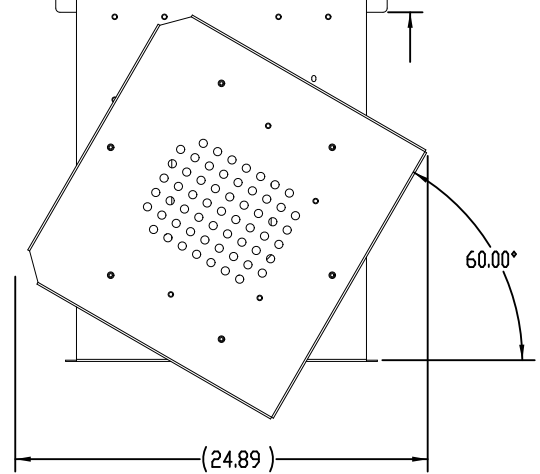
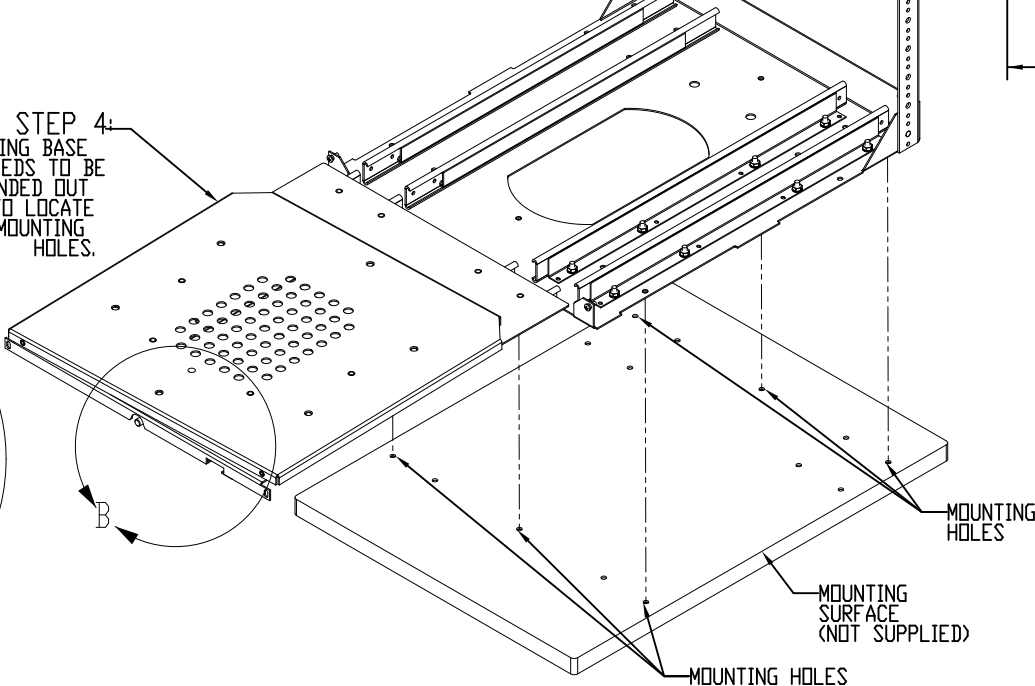
STEP 4:
ROTATING BASE NEEDS TO BE EXTENDED OUT TO LOCATE MOUNTING HOLES.



PUSH BUTTON FOR ROTATING, LOCKS @ 0°, 60° & 90°, EITHER DIRECTION.

UNIT WILL LOCK OUT, WHEN FULLY EXTENDED. TO CLOSE, PRESS LEVER DOWN AND PUSH UNIT IN

DETAIL B
SCALE 2 : 5



HARDWARE BAG INCLUDES THE FOLLOWING:

- (10) 5/16-NUT SERRATED
- (4) 10-32 X .375 RSP25 SCREWS

P/N: LPT4-2328

Lowell HEARD EVERYWHERE