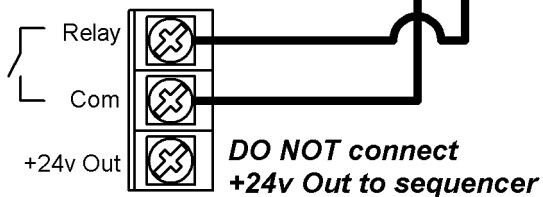
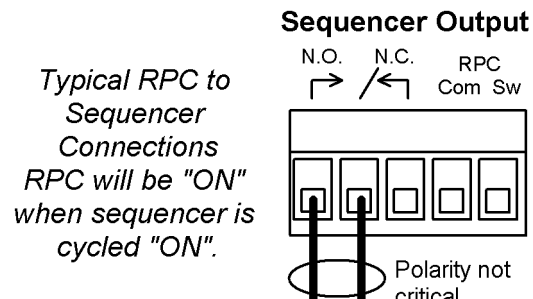


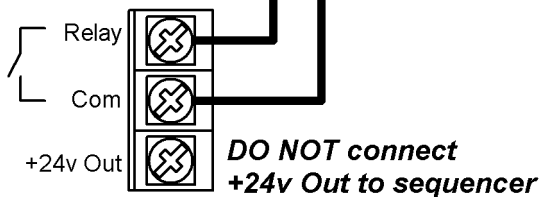
Typical RPC to Sequencer Connections
 RPC will be "ON" when sequencer is cycled "ON".



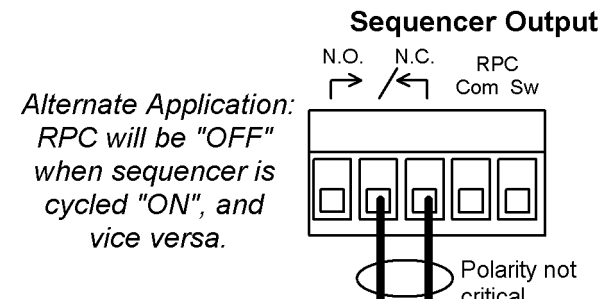
RPC unit



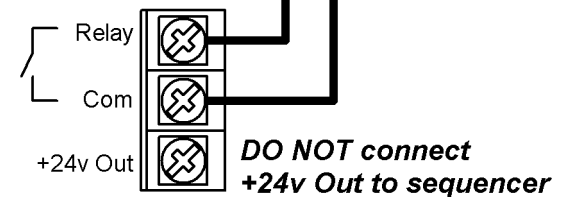
Typical RPC to Sequencer Connections
 RPC will be "ON" when sequencer is cycled "ON".



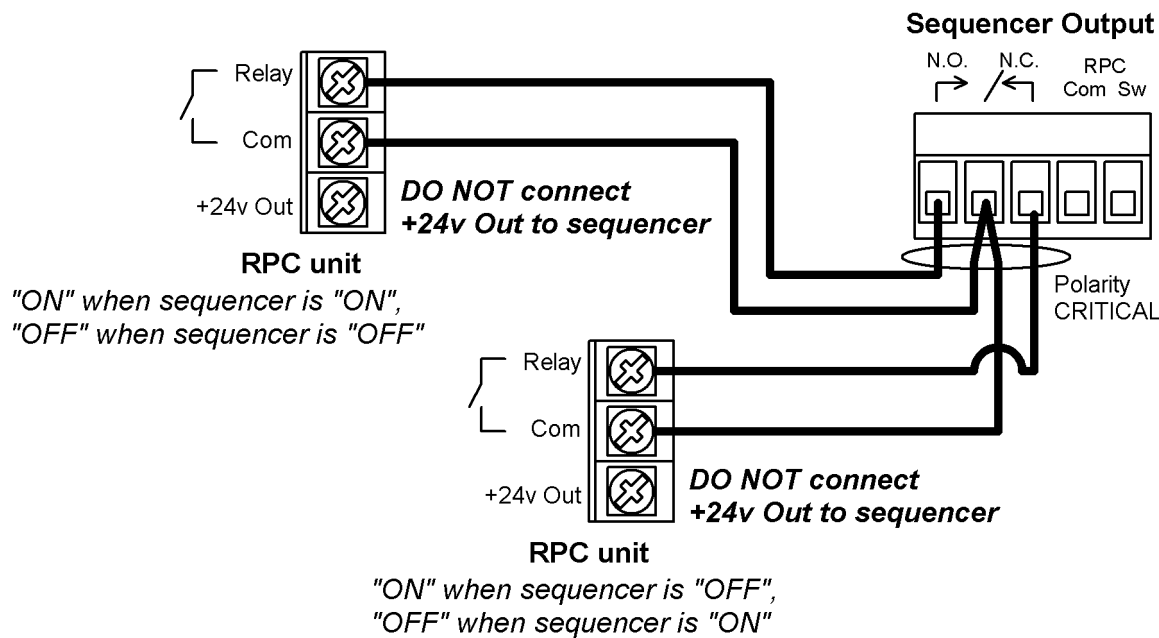
RPC unit



Alternate Application:
 RPC will be "OFF" when sequencer is cycled "ON", and vice versa.



RPC unit



Possible applications:

Turn off lighting when sound system turns on

Disable individual remote systems when main system turns on

Lowell HEARD EVERYWHERE

TITLE	RPC to Sequencer Connection Options		
DRWN BY:	TW	DATE	11/10/10
		DWG. NO:	E1953