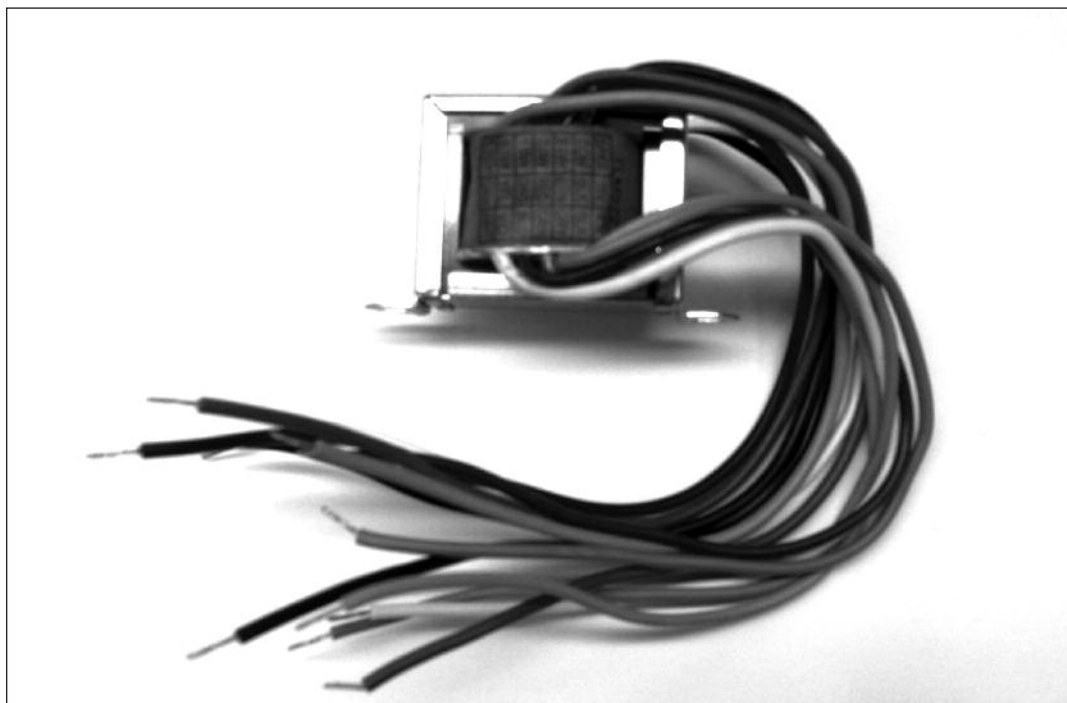
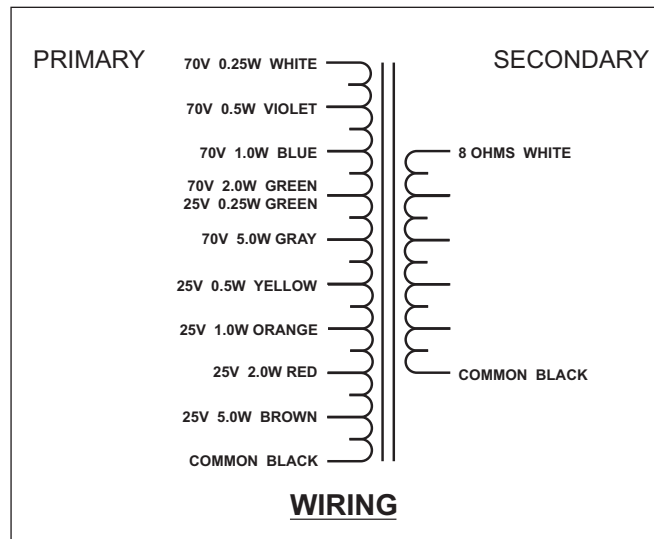
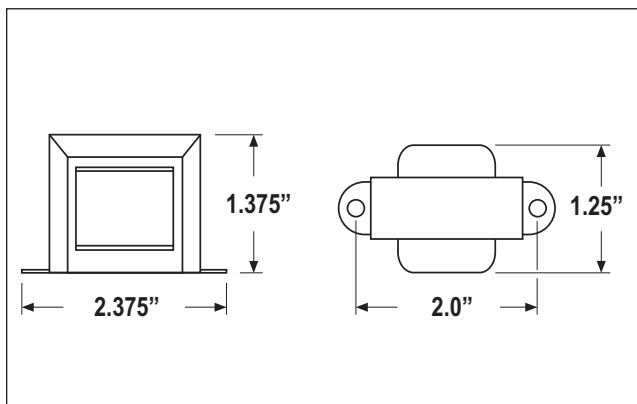


TLM-572



A&E Specifications

Line matching transformer shall be Lowell Model TLM-572. Primary voltage shall be 70V or 25V with a power rating of 5 watts. Primary taps shall be available at 5, 2, 1, 0.5 and 0.25 watts. The secondary impedance shall be 8-ohms. Frequency response of the transformer shall be 40Hz - 20kHz \pm 1dB. Insertion loss shall not exceed 0.5dB.



| Primary Voltage | Power Rating | Primary Taps | Secondary Impedance | Core Size | Insertion Loss | Frequency Response | Lead Length | Weight (lbs.) |
|-----------------|--------------|---------------------|---------------------|-----------|----------------|----------------------|-------------|---------------|
| 70 / 25V | 5W | 5, 2, 1, 0.5, 0.25W | 8 Ohms | .5" x .5" | < 0.5dB | 40Hz-20kHz \pm 1dB | 8" | .40 |



TLM-572 Series

5W General Purpose Dual Voltage Transformer

LOWELL TRANSFORMER SPECIFICATION OVERVIEW

| Xfmr Model | Primary Voltage | Power Rating | Primary Taps | Secondary Impedance | Core Size | Insertion Loss | Frequency Response | Lead Length | Weight (lbs.) | Spec Sheet* |
|---|-----------------|--------------|---------------------|---------------------|----------------|----------------|----------------------|-------------|---------------|-------------|
| Premium Performance Transformers | | | | | | | | | | |
| TLS10070 | 70V | 100W | 100, 64, 32, 16W | 8, 4 Ohms | 1.375" x 1.75" | .6dB | 20Hz-20kHz \pm 1dB | 18" | 7.5 | 2d-401 |
| TLS3270 | 70V | 32W | 32, 16, 8W | 8, 4 Ohms | 1.25" x 1.25" | .6dB | 20Hz-20kHz \pm 1dB | 18" | 4.7 | 2d-401 |
| High Performance Transformers | | | | | | | | | | |
| TLM10070A | 70V | 100W | 100, 64, 32, 16W | 8, 4 Ohms | 1.25" x 1.25" | .6dB | 50Hz-15kHz \pm 1dB | 18" | 4.45 | 2d-402 |
| TLM3270A | 70V | 32W | 32, 16, 8W | 8, 4 Ohms | 1" x 1.5" | .6dB | 50Hz-15kHz \pm 1dB | 18" | 3.2 | 2d-402 |
| TLM1670A | 70V | 16W | 16, 8, 4W | 8, 4 Ohms | .875" x 1.25" | .6dB | 50Hz-15kHz \pm 1dB | 18" | 2.0 | 2d-402 |
| TLM870 | 70V | 8W | 8, 4, 2, 1W | 8, 4 Ohms | .75" x .75" | .8dB | 50Hz-15kHz \pm 1dB | 8" | 0.9 | 2d-403 |
| TLM825 | 25V | 8W | 8, 4, 2, 1W | 8, 4 Ohms | .75" x .75" | .8dB | 50Hz-15kHz \pm 1dB | 8" | 0.9 | 2d-403 |
| TLM470 | 70V | 4W | 4, 2, 1, .5W | 8 Ohms | .625" x .625" | .8dB | 60Hz-15kHz \pm 1dB | 8" | 0.55 | 2d-403 |
| General Purpose Transformers | | | | | | | | | | |
| TLM572 | 70 / 25V | 5W | 5, 2, 1, 0.5, 0.25W | 8 Ohms | .5" x .5" | < 0.5dB | 40Hz-20kHz \pm 1dB | 8" | 0.4 | 2d-405 |

*Refer to the corresponding specification sheet for each model to find dimensional drawings and color code diagrams.

A
U
D
I
O

12"/10"
Speakers & Accessories

8"
Speakers & Accessories

6"
Speakers & Accessories

4"
Speakers & Accessories

Horn
Speakers & Accessories

Masking
Speakers & Generators

Control
Accessories & Electronics

Transformers