



Description

Lowell's Model CS610 is a combination volume control and selector switch for controlling the speaker volume on up to six source connections. The assembly includes Lowell's UL Listed 50W auto transformer Model 50LVC mounted on the left side of a 2-gang stainless steel plate and a six-input selector switch mounted to the right side.

The 50W volume control for use with 70V or 25V speaker lines provides 33dB attenuation in ten steps*. The selector switch is a two-pole rotary style to assure complete isolation between lines. Wiring connections to the volume control are plug-in screw terminations for prewire convenience. Connections to the selector switch are 'Euro-style' screw terminals allowing the unit to be field connected for use either together or independently.

Model CS610 ships factory assembled with both the volume control and the selector switch mounted to a 2-gang stainless steel wall plate with stamped and filled dial scale, two fluted black knobs, and four mounting screws. The depth of the assembly is 2-1/8" for convenient mounting to a standard 2-gang or 4" Sq E.O. box with a 2-gang mud ring (by others).

A & E Specifications

The volume control and source selection device shall be Lowell's wall mount control Model CS610. The two-gang control shall include a UL Listed 50W auto transformer Model 50LVC for use with 70V or 25V speaker lines and a six-input selector switch mounted on a 2-gang stainless steel plate with black knobs, and four mounting screws. The 50W volume control shall provide a total of 33dB attenuation in ten steps. The selector switch shall be a two-pole rotary style for isolation between lines. Wiring connections shall be to screw terminals allowing the unit to be field connected for use either together or independently. Plate size is 2-gang (4.562" x 4.5"H) with a depth of 2.125" for installation into 2-gang or 4" square E.O. Boxes with a 2-gang mud ring.

Assembly Specifications

Model	Description	Plate Size (2-gang)	Depth	Volume Control Rating	Volume Connections	Selector Switch	Selector Connections
CS610	Combination vol. control-selector switch	4.562"W x 4.5"H	2.125"	50W, 3dB step*	Plug-in screw	Two-pole, six position rotary	Screw terminal

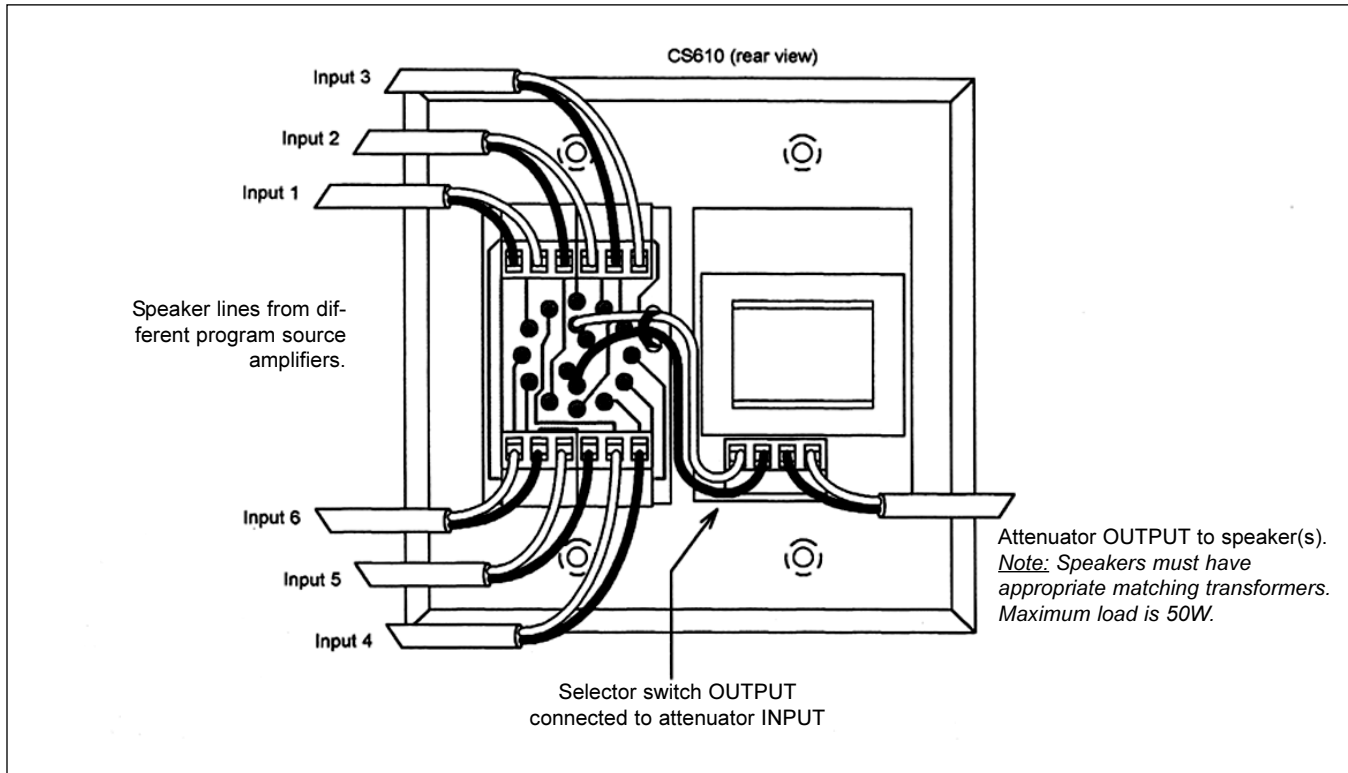
* Volume control has a total of ten steps with the two before off being 6dB (33dB total).



CS610

Combination Volume Control - Selector Switch

A
U
D
I
O



12"/10"
Speakers & Accessories

8"
Speakers & Accessories

6"
Speakers & Accessories

CS610

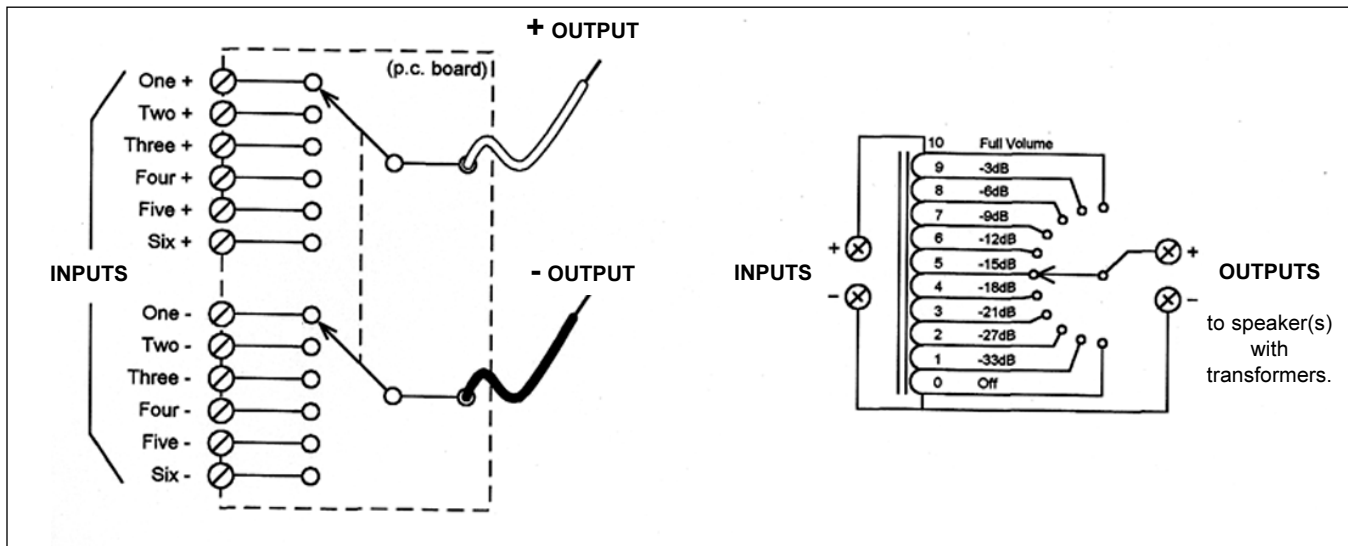
Typical Application (rear view shown)

4"
Speakers & Accessories

Horn
Speakers & Accessories

Masking
Speakers & Generators

Control
Accessories & Electronics



Program selector schematic

Volume control schematic

Volume Controls