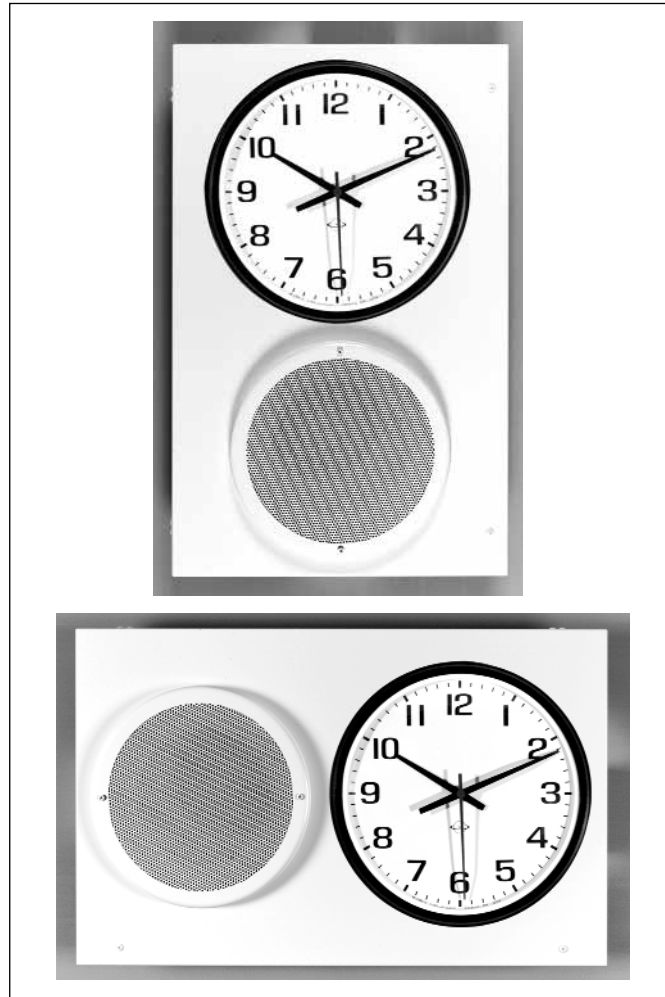


Description

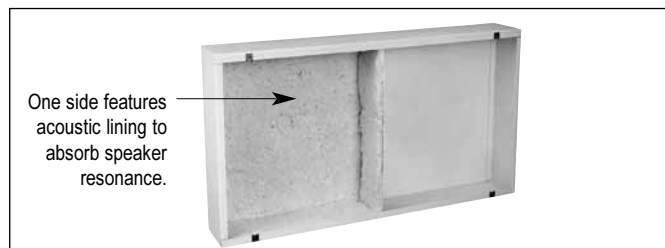
Lowell combination speaker-clock grille Model BP700 and surface backbox Model PC712 provide an architecturally pleasing solution for surface horizontal or vertical installation of a paging speaker and clock in school classrooms, sports/recreation facilities, and medical or professional buildings of all kinds. Dual function speaker and clock mounting solution is a practical approach that affords reduced fixture and labor costs while providing a clean architectural appearance. Model BP700 grille features a universal clock mounting bracket for problem free installation of virtually any 12" analog clock (by others) and welded speaker mounting studs for installation of a standard 8" speaker driver (order separately). Lowell offers a wide selection of drivers with optional 70V or 25V transformer for distributed voice paging and music with clear intelligibility. Frequently ordered models for speaker-clock grille use include driver Model 805 (12W dual cone), 810 (15W dual cone), or CT830 (20W coaxial).

Grille Model BP700 is designed for surface installation to backbox Model PC712. For a recessed version, use grille Model BP300 and backbox Model PC312. This attractive grille is a one piece assembly with steel face plate and factory mounted round speaker grille with bezel. The faceplate is formed from a single piece of 18-gauge steel. The face plate features a clock cutout on one side and a speaker cutout on the other. The clock cutout includes hardware and provisions for installing Lowell's universal clock mounting bracket for horizontal or vertical orientation. The speaker cutout includes welded studs for installing an 8" speaker driver, and a mounted round grille with trim-ring bezel. The grille assembly with mounted clock and speaker installs to surface backbox Model PC712 using hinges and screws for easy service access with security. Overall dimensions of grille Model BP700 are 26"L x 14.5"W. The assembly is finished in white powder epoxy for attractive and durable performance.

Surface Backbox Model PC712 is designed for surface installation of speaker-clock grille Model BP700. It is formed from 20 gauge steel and measures 26"L x 14.5"W x 4"D with a divider between the clock and speaker mounting sections. Design features compound knockouts for 1/2" - 3/4" conduit on the back and in the divider. Hinge mounting holes are located on one side of the backbox and should be positioned on the top when the speaker-clock grille will be mounted horizontally, and on the left when it will be mounted vertically. Additionally, one side features acoustic lining to help absorb speaker resonance. The lining will be on the left when the speaker-clock grille is mounted horizontally and on the bottom when it is mounted vertically. The backbox is finished in white powder epoxy for attractive surface installation.



BP700 speaker-clock grille mounts vertical or horizontal to surface backbox Model PC712 (grille shown with clock - by others). Order speaker separately.



PC712 Surface Backbox for Model BP700

Lowell Speaker-Clock Grille & Companion Backbox Specifications

Grille Model	Description	Dimensions	Finish	Mounts (order separately)		
				Speaker*	Clock**	Backbox
BP700	Hinged speaker-clock grille	26"L x 14.5"W	White	8"	12"	PC712
*Lowell offers a wide selection of 8" speaker drivers including dual cone 10oz Series 810 and dual cone 5oz Series 805 with factory wired 70V or 25V transformers. **Universal clock mounting bracket will accommodate most 12" analog clocks (by others).						
Backbox Model	Style	Dimensions	Knockouts	Finish	Mounts Grille	
PC712	Surface	26"L x 14.5"W x 4"D	1/2"-3/4" back & divider	White	BP700	



BP700 / PC712

BP700 8" Speaker & 12" Clock Grille / PC712 Surface Backbox

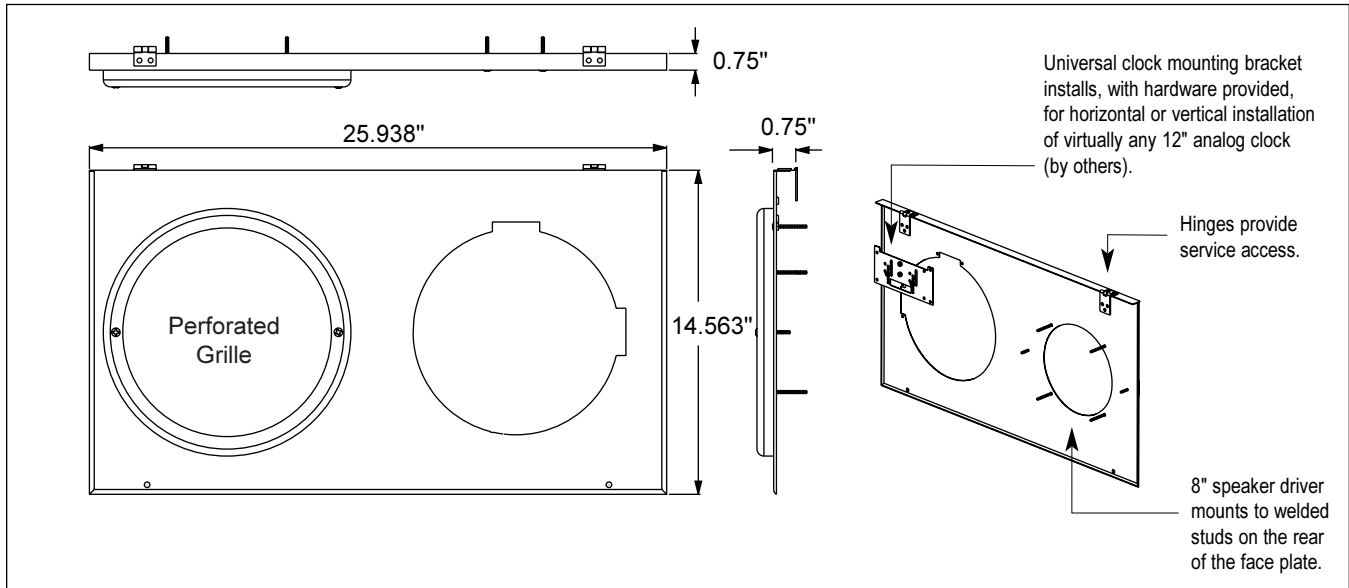
A & E Specifications

The combination speaker-clock grille for surface wall installation shall be Lowell Model BP700 with companion surface backbox Model PC712.

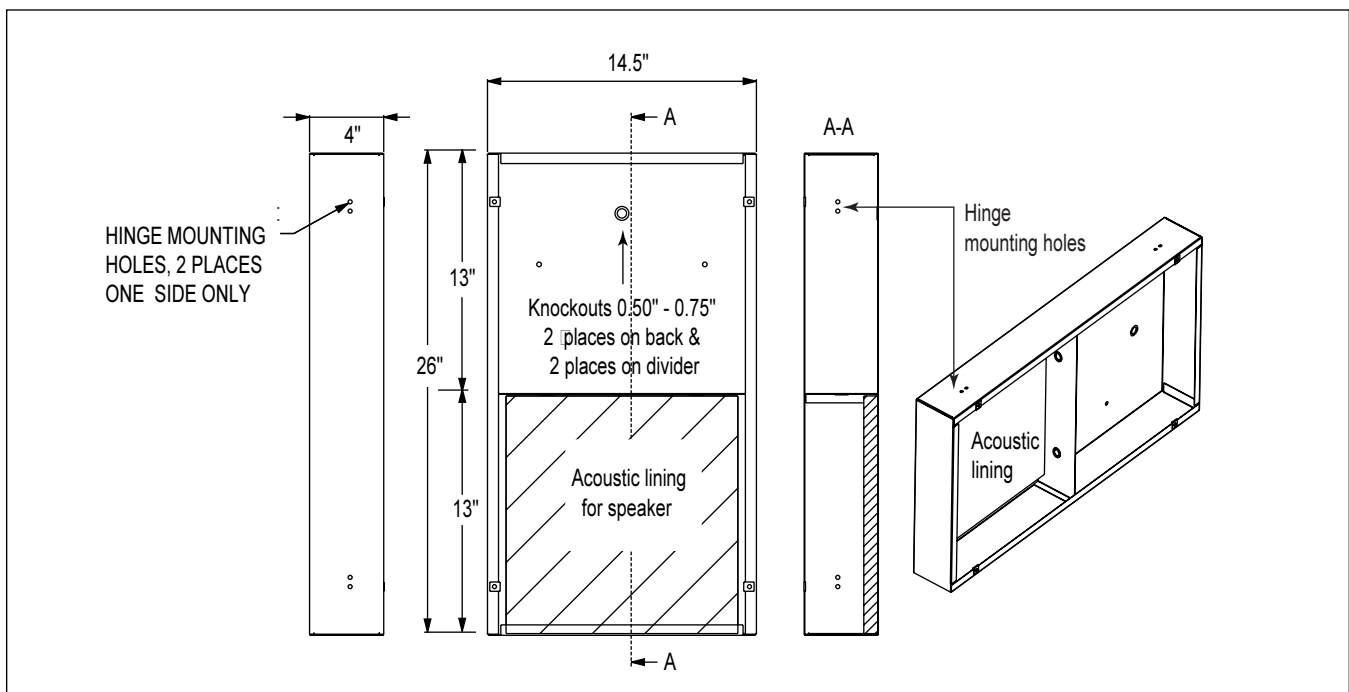
The speaker-clock grille Model BP700 shall be formed from 18 gauge steel and measure 26"L x 14.5"W. The grille assembly shall include a solid face plate with clock and speaker cutouts, mounted speaker grille (round) with bezel, welded studs for installing an 8" speaker driver (order separately), and a universal clock mounting bracket with hardware for horizontal or vertical installation of a 12" analog

clock (by others). The grille assembly shall be finished in white powder epoxy and include hinges and screws for installation to surface backbox Model PC712.

Surface backbox Model PC712 is formed from 20 gauge steel and measures 26"L x 14.5"W x 4"D with a divider between the speaker and clock mounting sections. Uniform knockouts on the rear and in the divider are compound 1/2" - 3/4". One section of the divided backbox (for the speaker) shall be equipped with acoustic lining. The backbox shall be finished in white powder epoxy.



BP700 speaker-clock grille



PC712 surface backbox

A
U
D
I
O

12" / 10"
Speakers & Accessories

8"
Speakers & Accessories

6"
Speakers & Accessories

4"
Speakers & Accessories

Horn
Speakers & Accessories

Masking
Speakers & Generators

Control
Accessories & Electronics

Grilles - Clock Speaker