

## Description

Model CB88 is an attractive large volume surface mounting backbox for ceiling or wall installation of quality 8" speakers in schools, offices, medical facilities, restaurants, hotels, and retail spaces. Extra depth design with 1.5" thick acoustic lining allows the speaker to operate at a more optimum loading level to provide the system with improved low frequency response.

Clean, square design is precision formed from 20-gauge steel with welded seams. The rear is punched with a universal mounting pattern for easy installation to a 4" square, 4" octagon, 2-gang, or 1-gang E.O.Box. The rear also includes a .375" hole with grommet for wire access. The front features formed flanges with U-clips for secure screw mounting of companion grille Model JG-8X (order separately). The backbox measures 12.563" SQ x 7.938"D and is finished in Lowell's durable white powder epoxy paint.

Companion grille Model JG-8X (order separately) features a 21-gauge beveled frame with a radius corner cutout, a welded 22-gauge perforated steel screen and a separate 21-gauge speaker to backbox adapter plate. The adapter plate facilitates secure installation of 8" speakers that have a heavy motor structure. The grille measures 12.375" SQ and is painted in durable white powder epoxy.

Companion drivers (order separately) are available from Lowell with optional 70V or 25V transformer. Choose 8" driver Model 8A50 (50W coaxial), CT8320 (25W coaxial), CT830 (30W coaxial) or 810 (15W dual cone).

## A & E Specifications

The surface backbox for 8" speaker drivers shall be Lowell Model CB88. The backbox shall be fabricated of 20-gauge steel and lined with 1.5" thick acoustic batting. The rear of the backbox shall include provisions for mounting to a 4" square, 4" octagon, 2-gang, or 1-gang E.O. Box. It shall also include a 3/8" diameter hole with grommet in the rear for wire access. The backbox shall be equipped with four (4) screw mounting holes and 8-32 U-clips to accept companion grille with speaker adapter plate. The backbox shall measure 12.563" SQ. x 7.938"D and shall be finished in white powder epoxy paint.

Companion grille for backbox Model CB88 shall be Lowell Model JG-8X. Grille shall measure 12.375" and be finished in white powder epoxy with matching mounting hardware.

Companion driver for backbox Model CB88 shall be 8" speaker Model \_\_\_\_\_.



**CB88 surface backbox**  
(shown with grille Model JG-8X - order grille separately)



**Companion Grille Model JG-8X**  
(order separately)

### Backbox Specifications

Model	Description	Dimensions	Volume cu.ft.	Mounts Speaker Size* (order separately)	Mounts Grille (order separately)
<b>CB88</b>	Surface backbox - 20ga. steel with 1.5" batting, white finish	12.563"SQ x 7.938"D	0.725	8"	JG-8X

\* Lowell offers a wide selection of drivers including 8" speaker Models 8A50 (50W coaxial), CT8320 (25W coaxial), CT830 (20W coaxial) and 810 (15W dual cone).



**CB88**

Surface Volume Backbox for 8" Speakers and Grille JG-8X

**A  
U  
D  
I  
O**

**12" / 10"**  
Speakers & Accessories

**8"**  
Speakers & Accessories

**6"**  
Speakers & Accessories

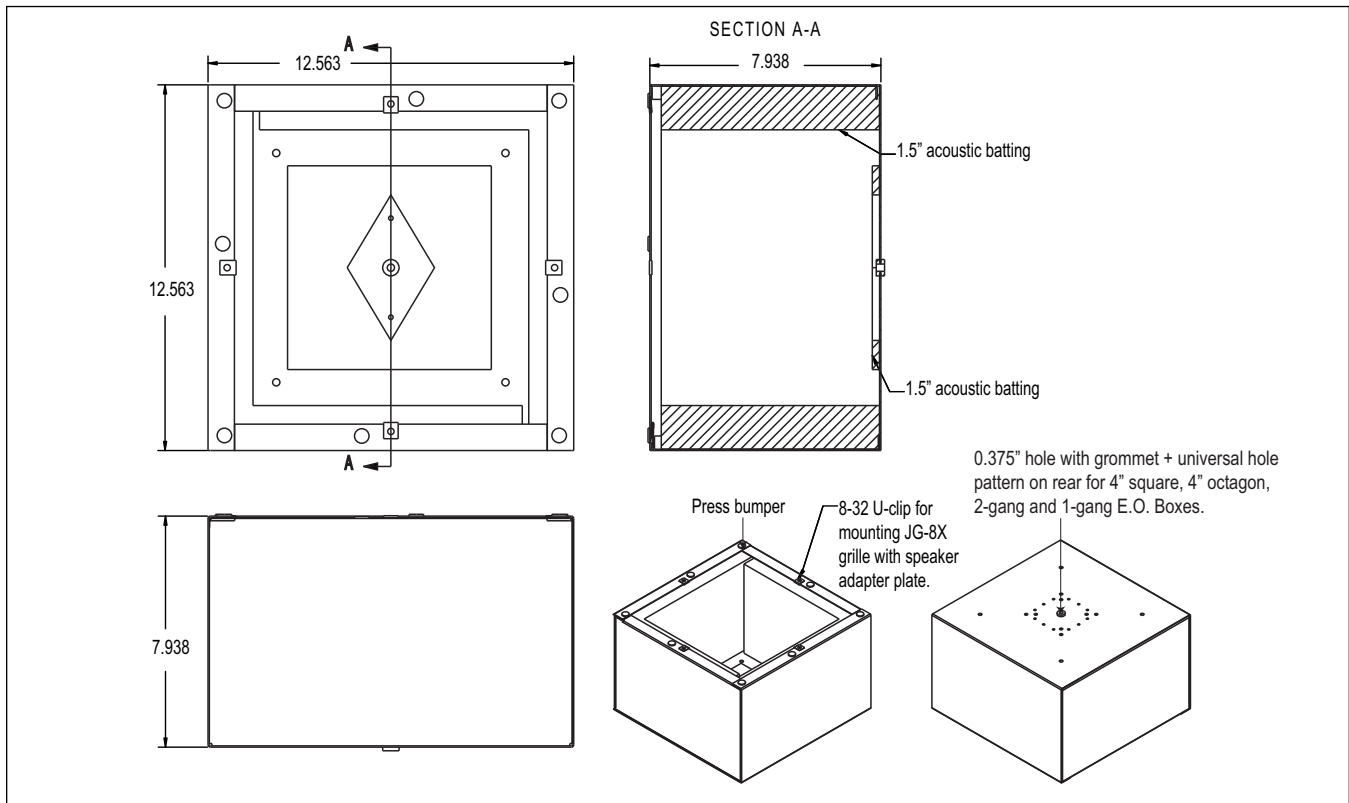
**4"**  
Speakers & Accessories

**Horn**  
Speakers & Accessories

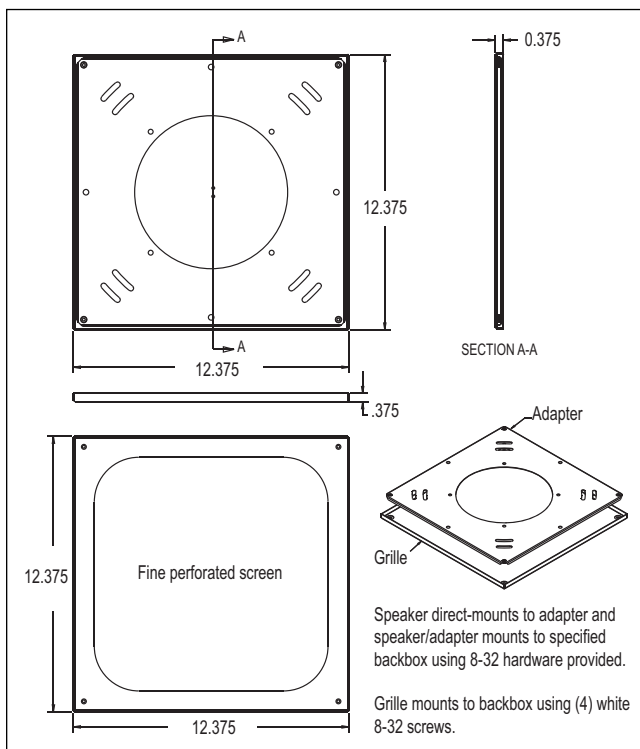
**Masking**  
Speakers & Generators

**Control**  
Accessories & Electronics

**Backboxes - Surface**



**Lowell backbox Model CB88 Dimensions**



**Companion Grille Model JG-8X Dimensions**

**Companion Grille (order separately)**

Grille Model	Speaker Size*	Grille Size	Visible Screws	Speaker Mount	Material / Color
JG-8X	8"	12.375" Sq.	4	Screws/subplate	Steel / white

\* Lowell offers a wide selection of drivers including 8" speaker Models 8A50 (50W coaxial), CT8320 (25W coaxial), CT830 (20W coaxial) and 810 (15W dual cone).