

## Description

Model CB84-SGVP is a heavy-duty surface mounting backbox for ceiling or wall installation of an 8" speaker or paging horn Model LUH-15T in vandal-prone areas or applications where speaker tampering is a concern. Hefty, 16-gauge steel construction is complemented by a clean, square design with welded seams and 1.5" thick acoustic batting. The rear of the backbox is punched with a universal mounting pattern for installing to a 4" square, 4" octagon, 2-gang, or 1-gang E.O.Box. The rear also includes a .875" hole for 1/2" conduit access. The front features formed flanges with U-clips for secure mounting of vandal-resistant grille Model SG-8VP with protective barrier plate and tamper-resistant hardware (order grille separately). The backbox measures 11.5" SQ x 4"D and is finished in Lowell's durable white powder epoxy paint to match companion grille Model SG-8VP.

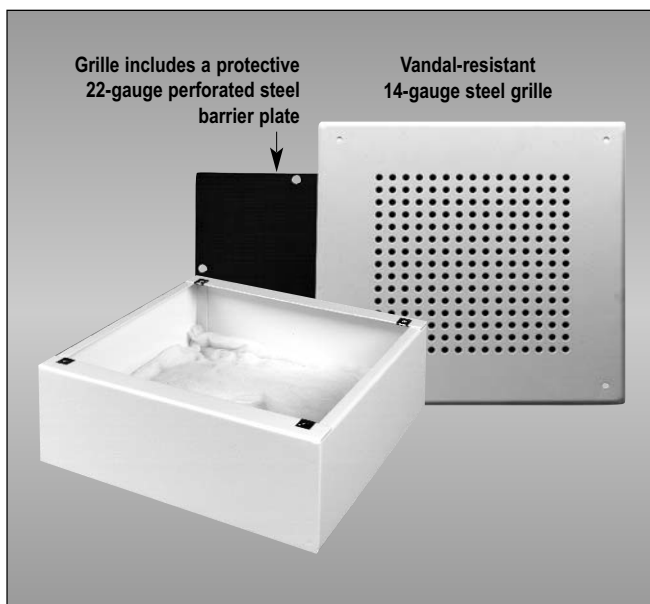
Companion vandal-resistant grille Model SG-8VP (order separately) is a heavy-duty square grille with perforated barrier plate and gasket to protect the speaker driver from puncture and damage. The grille is fabricated from 14-gauge steel with a square, perforated pattern and Lowell's durable white powder epoxy finish. The barrier plate is perforated 22-gauge steel with 1/16" diameter holes on 3/32" staggered centers resulting in a 40% open area for clear speaker performance with vandal protection. The grille also includes welded speaker mounting studs and an open chipboard gasket to be placed between the grille and the speaker. The grille mounts to backbox Model CB84-SGVP using white tamper-resistant 8-32 spanner screws\*. The grille measures 11.437" SQ. \*(Order optional Model HRP-832 screwdriver and tip for 8-32 spanner screws separately if required.)

Companion drivers (order separately) are available from Lowell with optional 70V or 25V transformer. Frequently ordered 8" speaker models for vandal-prone applications with backbox Model CB84-SGVP include moisture-resistant driver Model 8C51MRA (12W single cone) or 8C10MRA (15W single cone). Standard 8" drivers such as Models 805 (12W dual cone), 810 (15W dual cone) or CT830 (20W coaxial) may also be used when tampering from water or other liquids is not a concern. For environment resistant applications and when higher sound pressure levels are required; specify Lowell's narrow profile 15W Unihorn compression driver Model LUH-15T.



**CB84-SGVP surface backbox**

Shown with grille Model SG-8VP (order grille separately)  
See dimension details on page 2



**CB84-SGVP**  
Heavy-duty Surface backbox

**SG-8VP**  
Vandal-resistant grille with perforated barrier plate (order grille separately)

### Backbox Specifications

| Backbox Model    | Description   | Dimensions    | Volume cu.ft. | Mounts Speaker Size* (order separately) | Mounts Grille (order separately)  |
|------------------|---|---------------|---------------|---|-----------------------------------|
| <b>CB84-SGVP</b> | Surface backbox - 16ga. steel with 1.5" batting, white finish | 11.5"SQ x 4"D | 0.306         | 8" (or Unihorn**)                       | SG-8VP (14 ga. steel, 11.437" SQ) |

\* Lowell offers a selection of 8" speaker drivers including Model 8C51MRA (12W moisture-resistant), 8C10MRA (15W moisture-resistant), 805 (12W dual cone), 810 (15W dual cone) and CT830 (20W coaxial).  
\*\*Lowell's narrow profile 15W Unihorn compression driver Model LUH-15T may also be used for paging applications where higher sound pressure levels are required.



# CB84-SGVP

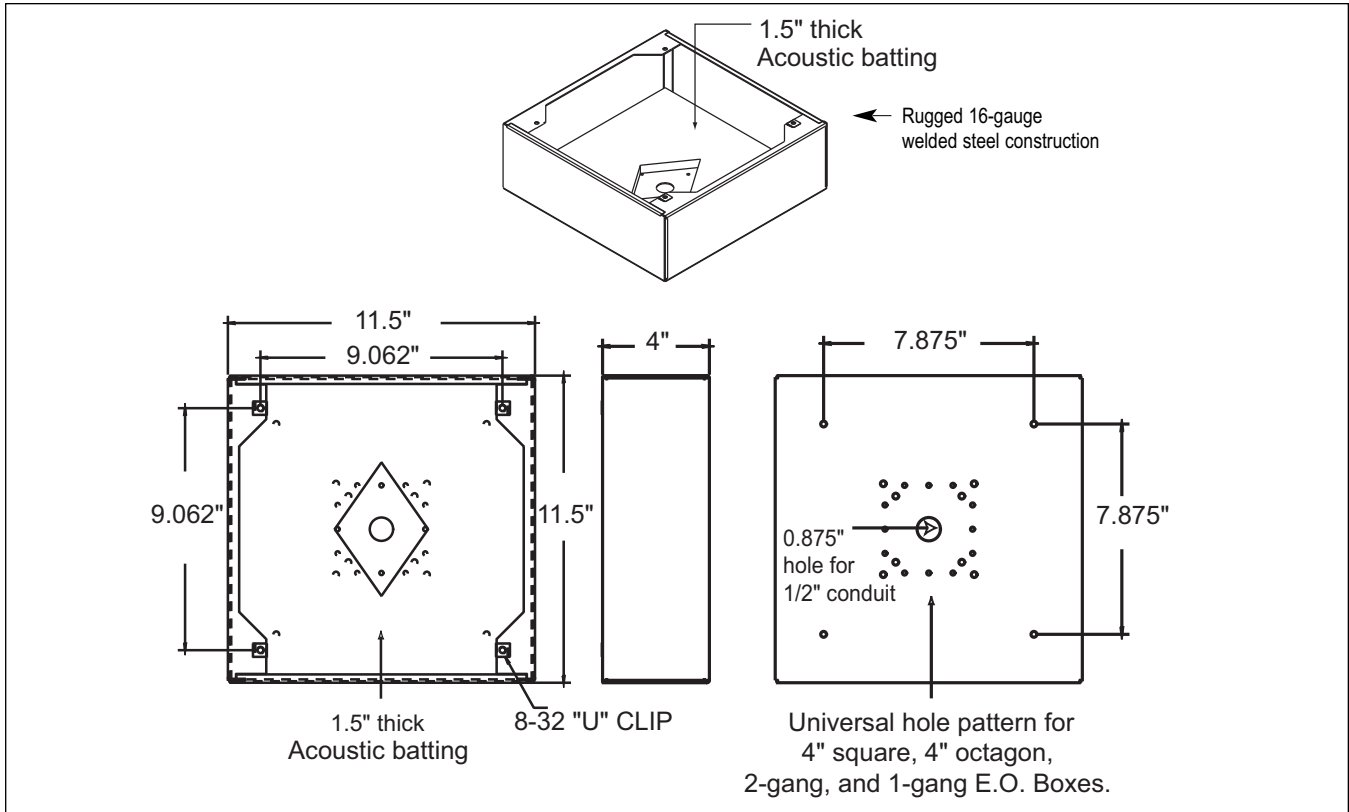
## Surface Backbox for an 8" Speaker & Vandal-resistant grille SG-8VP

### A & E Specifications

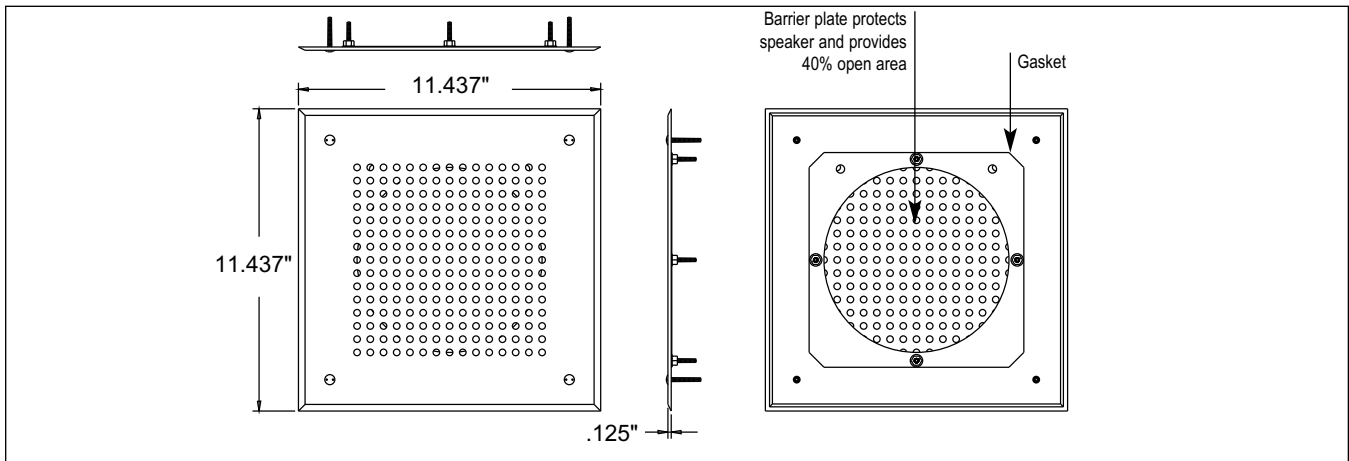
The surface backbox for 8" speaker drivers or Unihorn compression driver shall be Lowell heavy-duty Model CB84-SGVP. The backbox shall be fabricated of 16-gauge steel and lined with 1/2" thick acoustic batting. The rear of the backbox shall include provisions for mounting to a 4" square, 4" octagon, 2-gang, or 1-gang E.O. Box. It shall also include a 7/8" diameter hole in the rear for 1/2" conduit access. It shall be equipped with four (4) screw mounting holes and 8-32 U-clips at the flanged corners to accept tamper-resistant grille Model SG-8VP. The backbox shall measure 11.5" SQ. x 4"D and shall be finished in white powder epoxy paint.

Companion grille for backbox Model CB84-SGVP shall be Lowell tamper-resistant Model SG-8VP. Square grille shall be 14-gauge steel with a 22-gauge perforated steel barrier plate to provide puncture protection for the driver. The grille shall be 11.437" square and include welded studs for mounting a standard 8" speaker driver and four white 8-32 spanner screws. Finish shall be white powder epoxy paint.

Companion driver for backbox Model CB84-SGVP shall be Lowell 8" Model [8C51MRA (12W moisture-resistant), 8C10MRA (15W moisture-resistant), 805 (12W dual cone), 810 (15W dual cone) or CT830 (20W coaxial)] or 15W environment resistant Unihorn Model LUH-15T



Lowell heavy-duty backbox Model CB84-SGVP



Lowell companion grille Model SG-8VP (order separately)

A  
U  
D  
I  
O

12"/10"  
Speakers &  
Accessories

8"  
Speakers &  
Accessories

6"  
Speakers &  
Accessories

4"  
Speakers &  
Accessories

Horn  
Speakers &  
Accessories

Masking  
Speakers &  
Generators

Control  
Accessories  
& Electronics

Backboxes - Surface