

Description

Model CB84 is an attractive surface mounting backbox for ceiling or wall installation of an 8" speaker or paging horn Model LUH-15T in schools, offices, medical facilities, restaurants, hotels, and retail spaces. Clean, square design is precision formed from 20-gauge steel. It features welded seams and 1.5" thick acoustic batting. The rear of the backbox is punched with a universal mounting pattern for installing to a 4" square, 4" octagon, 2-gang, or 1-gang E.O.Box. The rear also includes a .375" hole with grommet for wire access. Sides include planished knockouts for 1/2" and 3/4" conduit. The front features formed flanges with U-clips for secure screw mounting of companion grille Model IC105, JG-8X or vandal-resistant Model SQLK-8L (order grille separately). The backbox measures 12.35" SQ x 4"D and is finished in Lowell's durable white powder epoxy paint.

Companion grilles (order separately) include economy Model IC-105 (11.438"SQ, steel), fine screen Model JG-8X (12.375"SQ, steel) or vandal resistant Model SQLK-8L (9.5"SQ, cast aluminum) with painted steel barrier screen and tamper-resistant screws. All grilles are painted in durable white powder epoxy finish.

Companion drivers (order separately) are available from Lowell with optional 70V or 25V transformer. Choose 8" driver Model 805 (12W dual cone), 810 (15W dual cone), CT830 (20W coaxial) or specify Lowell's narrow profile 15W Unihorn compression driver Model LUH-15T for paging applications where higher sound pressure levels are required.

A & E Specifications

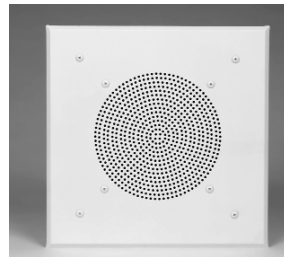
The surface backbox for 8" speaker drivers or Unihorn compression driver Model LUH-15T shall be Lowell Model CB84. The backbox shall be fabricated of 20-gauge steel and lined with 1.5" thick acoustic batting. The rear of the backbox shall include provisions for mounting to a 4" square, 4" octagon, 2-gang, or 1-gang E.O. Box. It shall also include a 3/8" diameter hole with grommet in the rear for wire access. The sides shall have knockouts for 1/2 and 3/4 conduit. The backbox shall be equipped with four (4) screw mounting holes and 8-32 U-clips at the flanged corners to accept companion grille. It shall measure 11.5" SQ. x 4"D and shall be finished in white powder epoxy paint.

Companion grille for backbox Model CB84 shall be Lowell Model _____ (IC105, JG-8X, SQLK-8L). Grille shall measure _____ (11.438", 12.375", 9.5" square), be finished in white powder epoxy and include mounting hardware.

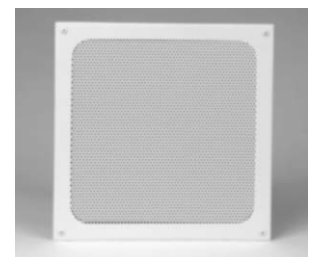
Companion driver for backbox Model CB84 shall be 8" speaker Model _____ or Lowell's narrow profile Unihorn compression driver Model LUH-15T.



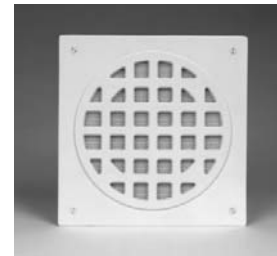
CB84 surface backbox



IC105
(11.438" SQ)



JG-8X
(12.375"SQ)



SQLK-8L Vandal-resistant
(9.5"SQ)

Selection of Companion Grilles
(order separately)

Backbox Specifications

Backbox Model	Description	Dimensions	Volume cu.ft.	Mounts Speaker Size* (order separately)	Mounts Grille (order separately)
CB84	Surface backbox - 20ga. steel with 1.5" batting, white finish	12.31"SQ x 4"D	0.351	8" (or Unihorn**)	IC105, JG-8X, SQLK-8L

*Lowell offers a wide selection of drivers including 8" speaker Model 805 (12W dual cone), 810 (15W dual cone) and CT830 (20W coaxial).

**Lowell's narrow profile 15W Unihorn compression driver Model LUH-15T may be used with CB84 backbox in paging applications where higher sound pressure levels are required.



CB84

Surface Backbox for an 8" Speaker

**A
U
D
I
O**

12"10"
Speakers & Accessories

8"
Speakers & Accessories

6"
Speakers & Accessories

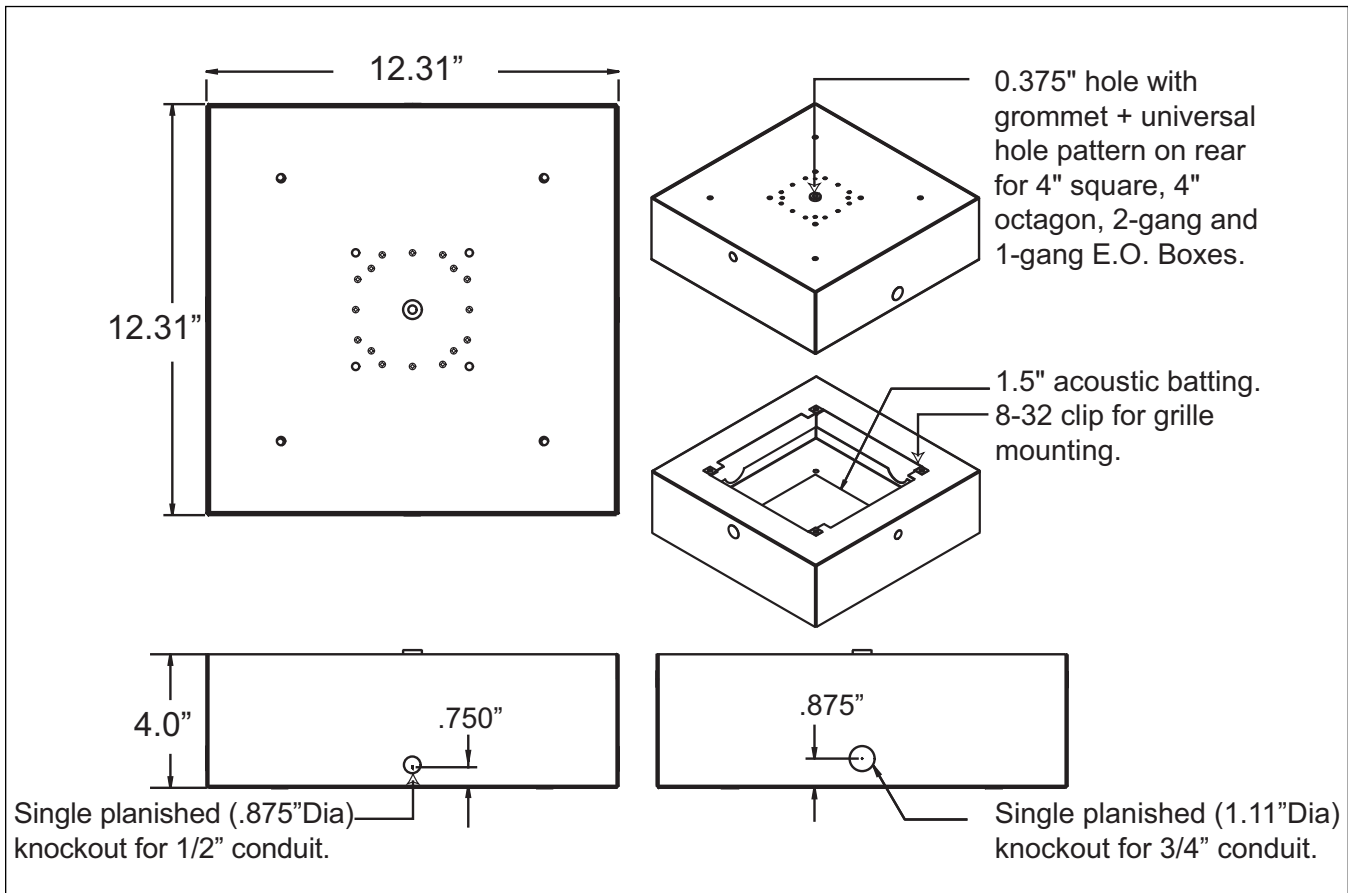
4"
Speakers & Accessories

Horn
Speakers & Accessories

Masking
Speakers & Generators

Control
Accessories & Electronics

Backboxes - Surface



Lowell backbox Model CB84

Companion Grille Selection (order separately)

Grille Model	Speaker Size	Grille Size	Visible Screws	Speaker Mount	Material	Color	Backbox
IC-105	8" (or Unihorn**)	11.375"	8	Screws	Steel	White	
JG-8X	8" (or Unihorn**)	12.375" Sq.	4	Screws/subplate	Steel	White	CB84
SQLK-8L	8" (or Unihorn**)	9.5" Sq.	4	Studs	Cast alum.*	White	

* Vandal-proof Model SQLK-8L features tamper-proof hardware and a 22ga. perforated steel barrier screen to protect the speaker.

**Lowell's narrow profile 15W Unihorn compression driver Model LUH-15T may be used with CB84 backbox in paging applications where higher sound pressure levels are required.