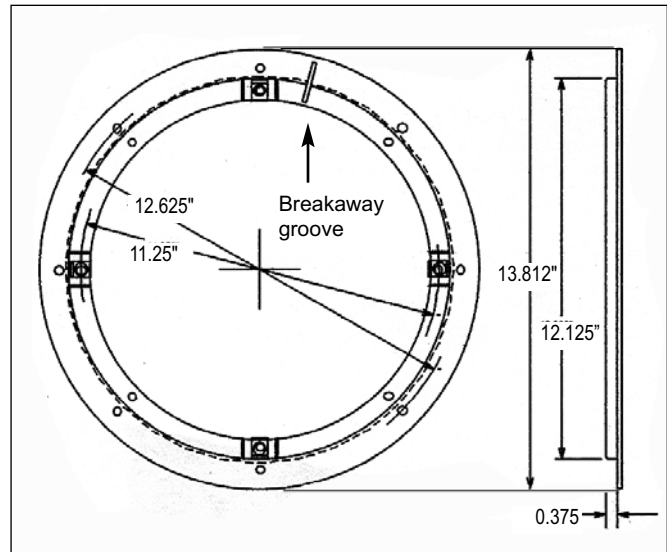


Mounting Ring Model RMP-8



RMP-8 dimensions

### Features

- Provides a method for mounting speakers in retrofit applications where ceiling access and/or depth is limited.
- The ring is 13.812" Dia. and has a breakaway groove to facilitate 'threading' the ring into a smaller 12.125" opening.
- Mounts 8" speakers with a wide selection of grilles.
- Ideal when a backbox is not required.
- Plastic construction with U-nuts makes installation easy.

### A & E Specifications

The mounting ring for 8" speaker installation shall be Lowell Model RMP-8. The mounting ring shall screw mount 8" speakers with Lowell grille Model \_\_\_\_\_. Model RPM-8 mounting ring shall be of a flexible plastic construction with a breakaway groove that allows the ring to install into a 12.125" Dia. opening. The mounting ring shall be a dia. of 13.812" and a thickness of .375". The mounting ring shall be equipped with 8-32 screw retaining clips plus the outer rim shall have an additional 8 mounting holes for needed applications.

### Description

Lowell mounting ring Model RMP-8 is engineered for the recessed installation of an 8" speaker/screw-mount grille assembly into a ceiling in new or retrofit construction. This cost effective and light weight mounting accessory is ideal for applications where ceiling or wall depth does not permit the use of a protective backbox or where a backbox is not required. Additionally, it provides a method for mounting speakers in retrofit applications.

Model RMP-8 mounting ring is plastic with a breakaway groove. To install, simply snap at the groove and 'thread' the 13.812" Dia. mounting ring into a pre-cut 12-1/8" hole. Once in position, the ring can be held in place and anchored using flush head screws. *Note: Locating the anchor holes in retrofit and 'room-side' installations can be tricky. Prior to threading the ring through the ceiling, notice that the eight outer anchor holes are 1.375" out from the grille mounting holes. When the ring is installed, the grille mounting holes are visible and therefore the anchor holes can be located by measuring 1.375" out from the grille holes.*

The RMP-8 mounting ring has the same mounting footprint as Lowell Series CP8 backboxes and therefore mounts the same screw mount grilles. *As with all projects, speaker installation should be performed per local building codes and regulations - many of which require a backbox for speaker installation.*

#### MOUNTING RING SPECIFICATIONS

Model	Description	Mounts Speaker*	Mounting Hole Size	Outside Dimensions	Inside Dimensions	Mounts Grille* (order separately)
RMP-8	Plastic Flexible Mounting Ring	8"	12.125" Dia	13.812" Dia	9.85" Dia.	A8-AW, CS-8H, LO8-P, OM8-P RS8-AW, WB8, WB-8H, WB8-6**

\* Order 8" speaker driver and grille separately or order one of Lowell's speaker-grille-transformer packages with noted grille.

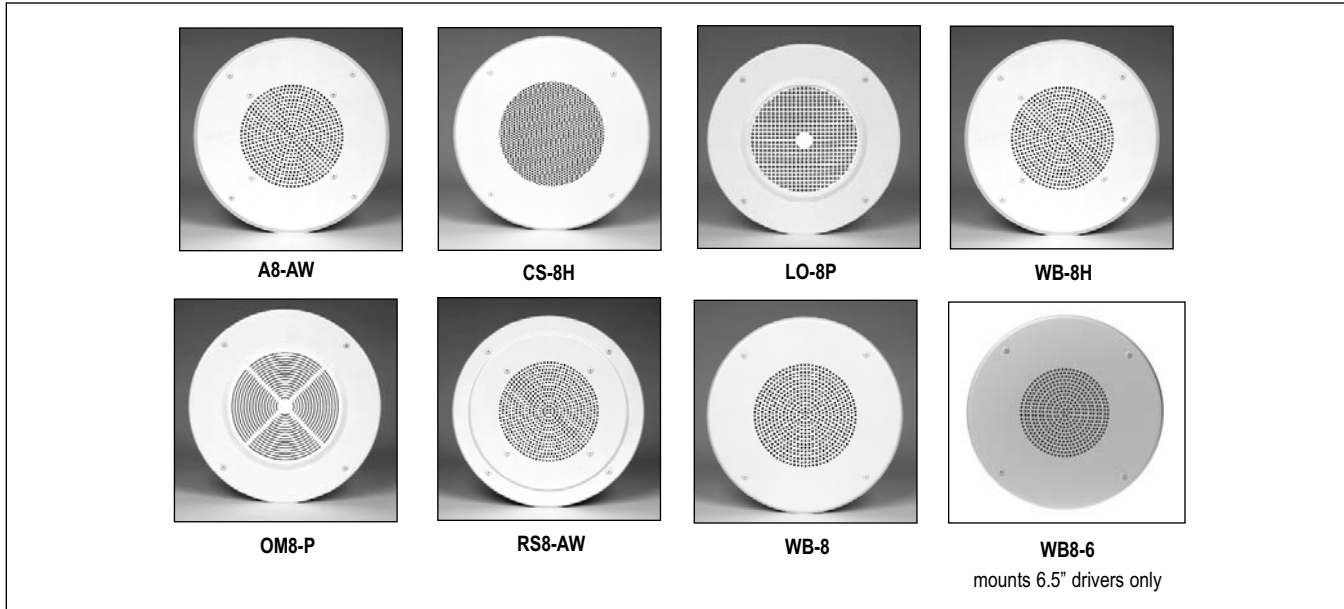
\*\* 6.5" speaker driver may also be used if grille Model WB8-6 is used.



**RMP-8**

Plastic Recessed Mounting Rings

**Companion Accessories for RMP-8** (order separately)



**A U D I O**

**12"/10"**  
Speakers & Accessories

  
**8"**  
Speakers & Accessories

**6"**  
Speakers & Accessories

**4"**  
Speakers & Accessories

**Horn**  
Speakers & Accessories

**Masking**  
Speakers & Generators

**Control**  
Accessories & Electronics

**T-Bridges / Rails / Rings**

**Grille Details**

Grille Model	Speaker Size*	Grille Size	Mounting Provisions	Material	Color	Mounting Ring
A8-AW	8"	12.875" Dia.	8 Screws	Alum.	White	
CS-8H	8"	12.875" Dia.	4 screws, 4 studs	Steel	White	
LO8-P	8"	12.625" Dia.	4 screws, 4 bosses	Plastic	White	.....RMP-8
OM8-P	8"	12.625" Dia.	4 screws, 4 bosses	Plastic	White	
RS8-AW	8"	12.875" Dia.	8 screws	Alum.	White	
WB-8	8"	12.875" Dia.	4 Screws, 4 studs	Steel	White	
WB-8H	8"	12.875" Dia.	8 Screws	Steel	White	
WB8-6	6.5" **	12.875" Dia.	4 screws, 4 studs	Steel	White	.....RMP-8

\*Lowell offers a wide selection of 8" speaker drivers with optional 70V or 25V transformer for distributed voice paging and music. Popular 8" drivers include Model 805 (12W dual cone), 810 (15W dual cone), 8C10MRA (15W moisture resistant), CT830 (20W coaxial), and CT8320 (25W coaxial).

\*\* Grille Model WB-8-6 will only mount 6.5" driver Model 6A40 (40W).