



Mounting Ring Model PR8-1624

Features

- Mounts 8" speakers with a wide selection of grilles.
- Economical alternative to using a recessed backbox.
- Features a 1/2" lip extension for easy drywall or panel finishing prior to speaker-grille installation.
- Side extension panels include holes for nailing to studs on 16" or 24" centers.

Description

Lowell mounting ring Model PR8-1624 is engineered for recessed installation of an 8" speaker-grille assembly in to a ceiling or wall. Cost effective and light weight mounting accessory is ideal for applications where ceiling or wall depth does not permit the use of a protective backbox or where a backbox is not desired.

Model PR8-1624 is a 22-gauge with side mounting extension panels. The mounting ring features an extended 1/2" lip for flush finishing in drywall and other hard surface ceilings and walls. The side panels or "ears" include holes for nailing the device to 16"W or 24"W studs. The extended lip and full span extension panels make this mounting ring a versatile inventory item for contractors and systems integrators. Mounting rings are finished in black powder epoxy and include 8-32 screw retaining clips for mounting an 8" speaker with grille noted in the chart below.

Note: Model PR8-1624 mounting ring has the same 1/2" lip extension as Lowell Series CP8 backboxes that are engineered to extend out from the rough-in ceiling or wall for flush drywall or panel finishing. *As with all projects, speaker installation should be performed per local building codes and regulations - many of which require a backbox for speaker installation.*

A & E Specifications

The mounting ring for 8" speaker installation shall be Lowell Model PR8-1624. The specified mounting ring shall screw mount 8" speakers with Lowell grille Model _____. The ring shall be 22 gauge steel construction with a 1/2" flange equipped with 8-32 screw retaining clips. It shall be equipped with welded extension panels to span studs on 16" or 24" centers. Finish shall be black powder epoxy.

MOUNTING RING SPECIFICATIONS

Model	Description	Mounts Speaker*	Outside Dimensions	Inside Dimensions	Mounts Grille* (order separately)
PR8-1624	Mounting ring with extended lip** and extension ears for 16" and 24" studs	8"	13.25"Dia x 24"L	10.75" Dia.	A8-AW, CS-8H, LO8-P, OM8-P, RS8-AW, WB8, WB8-6, WB-8H

* Order 8" speaker driver and grille separately or order one of Lowell's speaker-grille-transformer packages with noted grille. See C Series coaxial and R Series dual cone assemblies.

** Note:PR8-1624 features the same 1/2" lip extension as the CP84, CP87, and CP810 Series backboxes for flush finishing in drywall type applications.



PR8-1624

Mounting Ring for 8" Speaker Assemblies with Screw-mount Grilles

**A
U
D
I
O**

12" / 10"
Speakers & Accessories

8"
Speakers & Accessories

6"
Speakers & Accessories

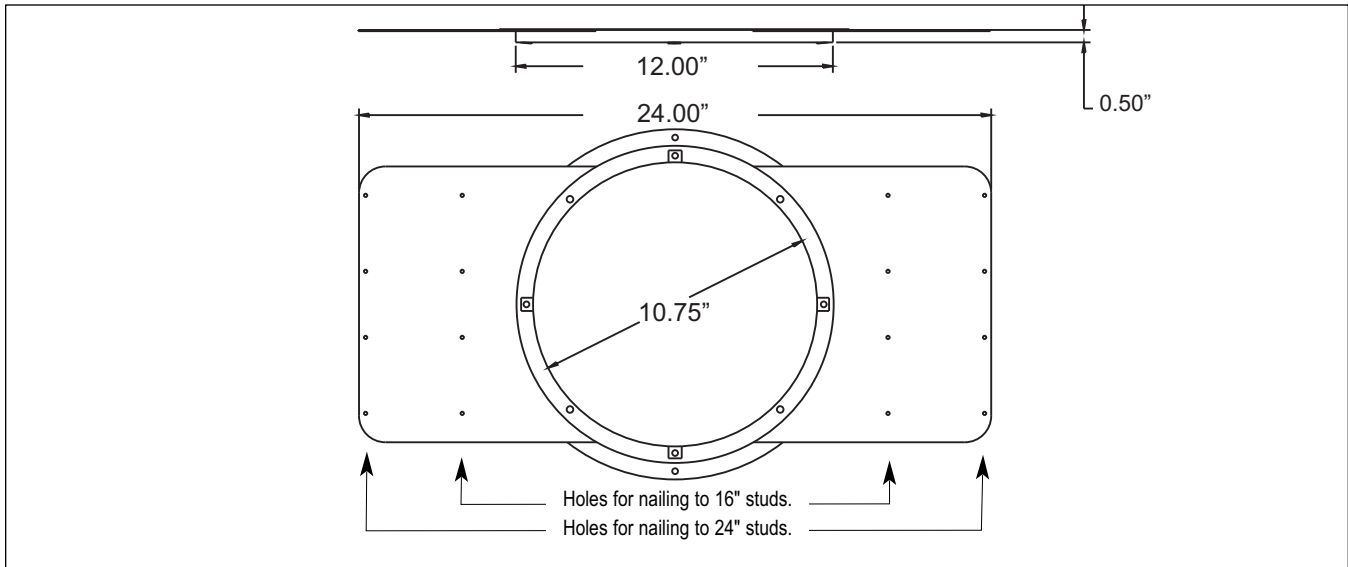
4"
Speakers & Accessories

Horn
Speakers & Accessories

Masking
Speakers & Generators

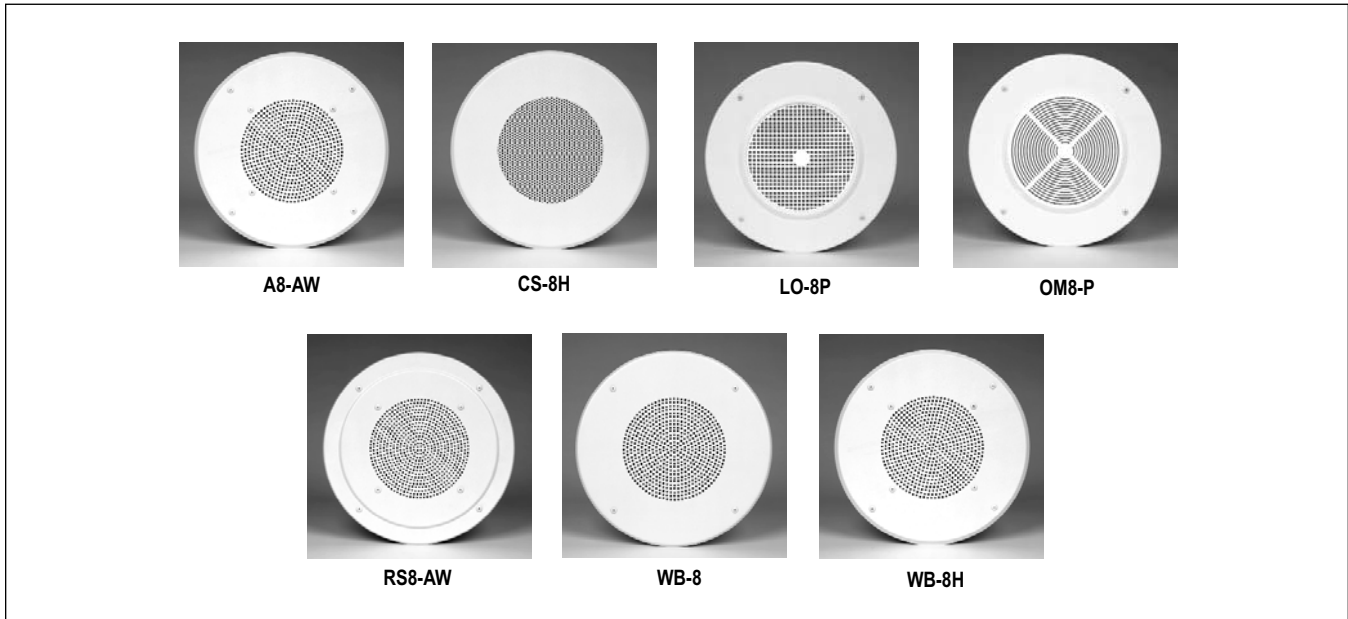
Control
Accessories & Electronics

T-Bridges / Rails / Rings



PR8-1624 dimensions

Companion accessories for mounting ring Model PR8-1624 (order separately)



Grille Details

Grille Model	Speaker Size*	Grille Size	Mounting Provisions	Material	Color	Mounts Mounting Ring
A8-AW	8"	12.875" Dia.	8 Screws	Alum.	White	
CS-8H	8"	12.875" Dia.	4 screws, 4 studs	Steel	White	
LO8-P	8"	12.625" Dia.	4 screws, 4 bosses	Plastic	White	PR8-1624
OM8-P	8"	12.625" Dia.	4 screws, 4 bosses	Plastic	White	
RS8-AW	8"	12.875" Dia.	8 screws	Alum.	White	
WB-8	8"	12.875" Dia.	4 Screws, 4 studs	Steel	White	
WB-8H	8"	12.875" Dia.	8 Screws	Steel	White	

*Lowell offers a wide selection of 8" speaker drivers with optional 70V or 25V transformer for distributed voice paging and music. Popular 8" drivers include Model 805 (12W dual cone), 810 (15W dual cone), 8C10MRA (15W moisture resistant), CT830 (20W coaxial), and CT8320 (25W coaxial).