

Description

Lowell XCP8 Series protective backboxes with flat grille mounting flange and welded torsion-grille receptacles are designed for screw or torsion mount installation of an 8" speaker/grille assembly. Versatile series, in choice of three depths, is ideal for use in new or existing suspended tile ceilings. Model ULXCP84S is 4"D and is part of UL 1480 5th Edition Listed Fire Protective Signaling Speaker Series ULD and ULS.

Series XCP8 backboxes are fabricated of welded, unitized heavy gauge steel and are sufficiently undercoated to eliminate acoustic and metallic resonance. Model XCP84 and ULXCP84S are 4"D with a foam pad. Models XCP87 and XCP810 are 7"D and 10"D respectively with 1-1/2" thick premium acoustic lining to absorb undesirable resonance in the high frequency range. Additional cubic volume of the acoustic-lined models allows the speaker to operate at a more optimum loading level for improved low frequency response. Deeper models will also accept a 6.5" speaker mounted to grille Model WB8-6.

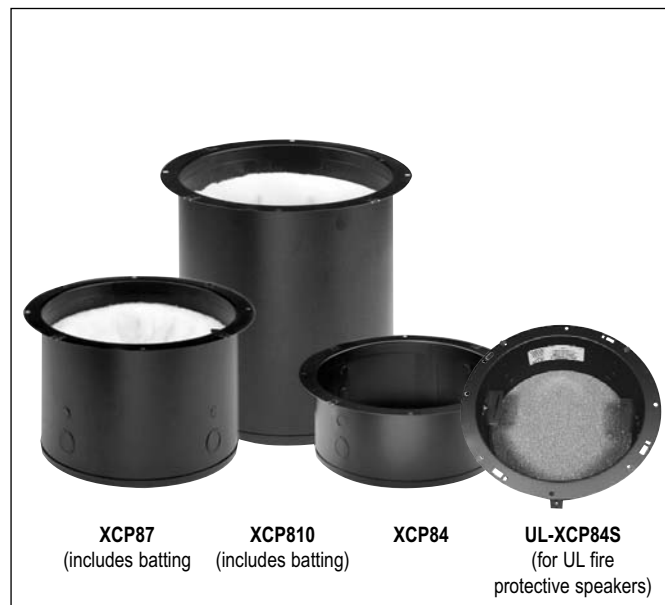
Each unit is furnished with two welded torsion receptacles to mount a variety of Lowell's 8" torsion grilles achieving a hardware-free appearance. Additionally, the grille mounting flange includes 8-32 screw retaining U-clips to accept a large selection of Lowell's 8" screw-type grilles. Each backbox is finished in black powder epoxy and includes four combination 1/2" - 3/4" conduit knockouts and four 1/2" wire knockouts.

Installation Feature: The grille mounting flange on XCP Series is punched to accept the tabs on Lowell's Twist'n Lock tile bridge Model LBS8 or LBS8-R1. The flange also includes holes for traditional screw installation of the backbox to the tile bridge. Note: Tile bridges or channel rails are recommended in suspended tile ceilings to transfer the speaker assembly weight to the ceiling grid (see page 2).

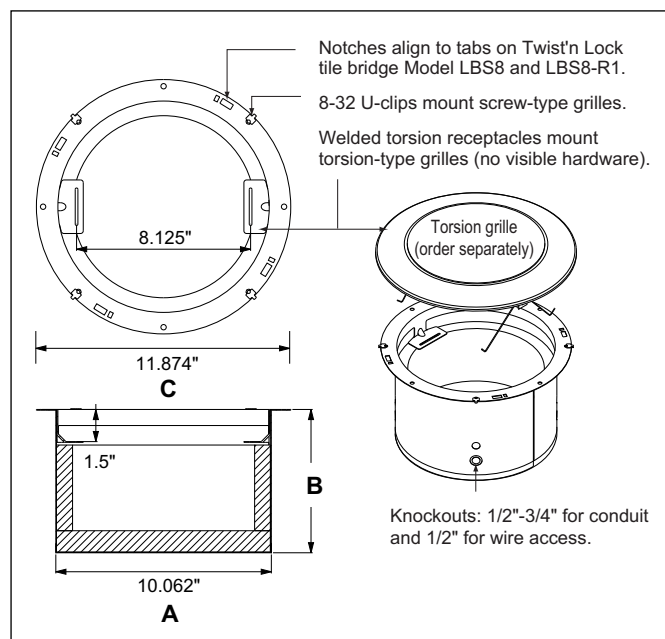
A & E Specifications

The recessed backbox for 8" speaker drivers shall be Lowell Model ____ (XCP84, XCP87, XCP810). Note: The UL Listed backbox for UL fire protective signaling (UL1480 5th edition) installations using Lowell UL speaker Series ULD and ULS with WB8 grille shall be Model ULXCP84S.

It shall be fabricated of 22 gauge steel and undercoated to eliminate acoustic and mechanical resonance. Model XCP87 and XCP810 shall be lined with 1-1/2" thick acoustic batting. The backbox shall measure ____ . It shall be furnished with four 1/2" - 3/4" knockouts for conduit and four 1/2" wire knockouts. It shall be finished in black powder epoxy and mount Lowell grille Model ____ . For suspended ceiling applications, tile bridge Model LBS8, LBS8-R1 or channel rail Model SS24 or SS30 may also be specified.



XCP8 Series
Protective Backboxes for 8" Speakers



Backbox Specifications and Companion Mounting Accessories

Model	Speaker Size*	Features	Volume cu.ft.	Dimensions			Mounts Grille
				A	B	C	(order separately - see p.2)
XCP84	8"	Flat flange for tile ceiling	0.187	10.062"	4.063"	11.874"	Screw styles: A8-AW, CS-8H, LO-8P,
XCP84S	8"	Flat flange for tile ceiling, welded anchor straps	0.187	10.062"	4.063"	11.874"	OM-8P, RS8-AW, WB-8, WB-8H, WB-8-6**
XCP87	8" (or 6.5" **)	Flat flange for tile ceiling + batting	0.308	10.062"	6.687"	11.874"	Torsion styles: CN-8M, CS-8W, WB-8T
XCP810	8" (or 6.5" **)	Flat flange for tile ceiling + batting	0.463	10.062"	10.063"	11.874"	
ULXCP84S	8" UL Fire Speakers	Flat flange for tile ceiling, welded anchor straps	0.187	10.062"	4.063"	11.874"	WB8 on UL Spkr Series ULD and ULS

*Lowell offers a wide selection of 8" speaker drivers with optional 70V or 25V transformer for distributed voice paging and music. Popular 8" drivers include Model 805 (12W dual cone), 810 (15W dual cone), 8C10MRA (15W moisture resistant), CT830 (20W coaxial) and CT8320 (25W coaxial). Model 8A50 (50W coaxial) may be used in 10"D Model CP810 only.

** Grille Model WB-8-6 will only mount 6.5" driver Model 6A40.



XCP8 Series

Cylindrical Recessed Backboxes with Flat Flange for 8" Speakers

Companion accessories for backbox Models XCP84, XCP87, XCP810 (order separately)

A U D I O

12"/10"
Speakers & Accessories

8"
Speakers & Accessories

6"
Speakers & Accessories

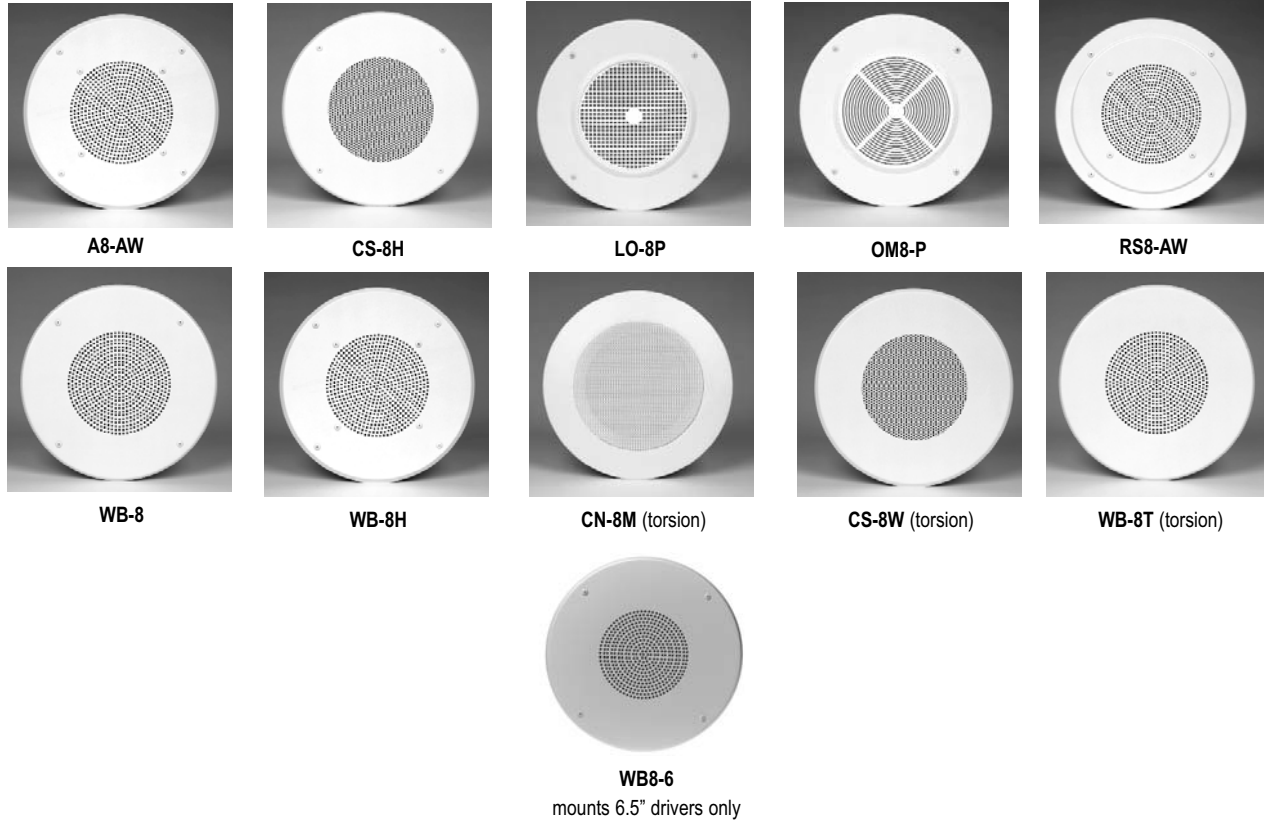
4"
Speakers & Accessories

Horn
Speakers & Accessories

Masking
Speakers & Generators

Control
Accessories & Electronics

Backboxes - Recessed



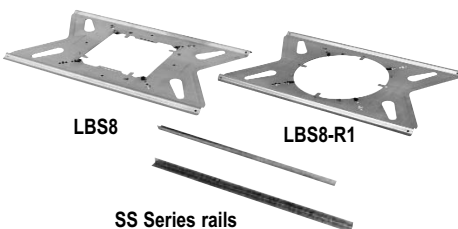
Grille Details

Grille Model	Speaker Size*	Grille Size	Mounting Provisions	Material	Color	Backbox	+	T-Bridge (if required for suspended ceilings)
A8-AW	8"	12.875" Dia.	8 Screws	Alum.	White			
CS-8H	8"	12.875" Dia.	4 screws, 4 studs	Steel	White			
CN-8M	8"	12.5" Dia.	Torsion***	Steel	White			
CS-8W	8"	12.875" Dia.	Torsion***	Steel	White			
LO8-P	8"	12.625" Dia.	4 screws, 4 bosses	Plastic	White	XCP84, XCP87, XCP810	LBS8, LBS8-R1 or SS rails
OM8-P	8"	12.625" Dia.	4 screws, 4 bosses	Plastic	White			
RS8-AW	8"	12.875" Dia.	8 screws	Alum.	White			
WB-8	8"	12.875" Dia.	4 Screws, 4 studs	Steel	White			
WB-8H	8"	12.875" Dia.	8 Screws	Steel	White			
WB-8T	8"	12.875" Dia.	Torsion***	Steel	White			
WB8-6	6.5" **	12.875" Dia.	4 screws, 4 studs	Steel	White	XCP87, XCP810	LBS8, LBS8-R1 or SS rails

*Lowell offers a wide selection of 8" speaker drivers with optional 70V or 25V transformer for distributed voice paging and music. Popular 8" drivers include Model 805 (12W dual cone), 810 (15W dual cone), 8C10MRA (15W moisture resistant), CT830 (20W coaxial) and CT8320 (25W coaxial). Model 8A50 (50W coaxial) may be used in 10"D Model CP810 only.

** Grille Model WB-8-6 will only mount 6.5" driver Model 6A40.

***Torsion grilles can accept a maximum driver/transformer weight of 3.5lbs. (typically drivers with a 10oz. magnet); Models CT8320 and 8A50 are too heavy to be supported by a torsion grille.



Tile Bridge & Rail Details

LBS8	23.75"L	Square opening with screw or Twist'n Lock backbox mounting.
LBS8-R1	23.75"L	Round opening with screw or Twist'n Lock backbox mounting.
SS-24	23.75"L	Channel rails (pair)
SS-30	30"L	Channel rails (pair)