

Features

- Formed construction is lightweight with rigid support.
- Mounts 6.5" speakers with noted Lowell grille and backbox combinations.
- Mounts backbox Models CP87, CP810, DX58 and DX108.

Description

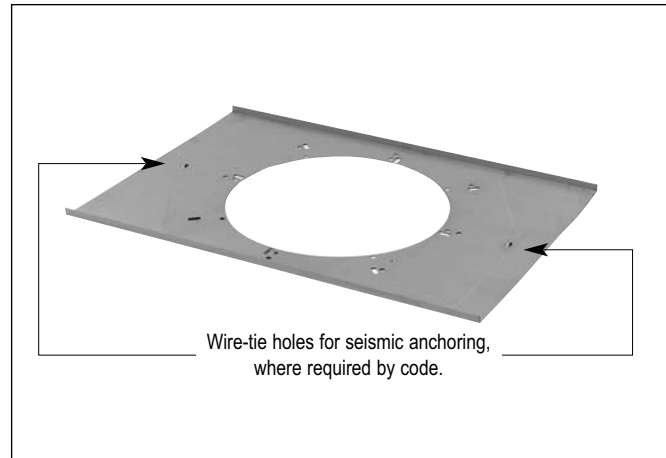
Lowell tile bridge Model LBS8-CP is engineered to distribute the speaker assembly weight to the ceiling support system in a suspended 2' x 2' or 2' x 4' tile ceiling system. Tile bridges are often required, for safety reasons, by local building codes, and for aesthetics to reduce the potential of unsightly ceiling tile sag.

Model LBS8-CP tile bridge is designed specifically to mount noted grille and backbox Series CP8 (available in 7" and 10" depths), 0.5 cu.ft. Model DX58 or 1 cu.ft. Model DX108. Unlike some of Lowell's other tile bridges, Model LBS8-CP must be installed using one of the recommended backboxes as a speaker-grille assembly will not mount directly to this tile bridge. This is the only tile bridge that will mount CP8 Series, DX58 and DX108 backboxes.

Model LBS8-CP is galvanized 20-gauge steel size 23.75"L x 16.25"W with a round center opening size 12" Dia. with two wire-tie points for seismic anchoring, where required by code.

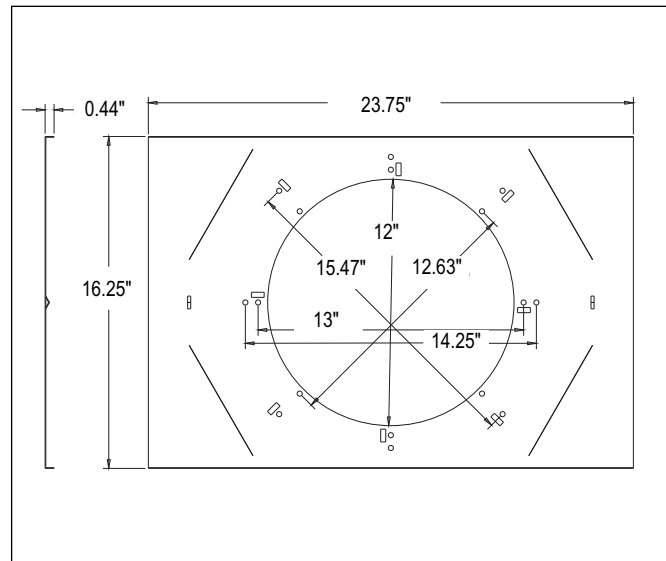
A & E Specifications

Tile bridge shall be Lowell Model LBS8-CP. It shall be formed from 20-gauge galvanized steel and be engineered to support and distribute the weight of a speaker assembly to the ceiling support system in a 2' x 2' or 2' x 4' suspended ceiling installation. It shall include provisions for seismic anchoring where required by code. Tile bridge shall mount Lowell grille Model WB8-6 with attached 6.5" Lowell speaker Model 6A40 and shall accept required Lowell backbox Model ____ (CP87, CP810, DX58, DX108).



Wire-tie holes for seismic anchoring, where required by code.

Tile bridge Model LBS8-CP



LBS8-CP dimensions

TILE BRIDGE SPECIFICATIONS

Model	Mounts Speaker*	Outside Dimensions	Opening Size	Mounts Backbox*** (required)	Mounts Grille
LBS8-CP	6.5" (8"*)	23.75"L x 16.25"W	12" Dia.	CP87, CP810, DX58, DX108	WB8-6

* Order Lowell's 6.5" speaker model 6A40 separately.

** Lowell also offers a wide selection of 8" speaker drivers that mount these backboxes when used with grille models A8AW, CN8M, CS8H, CS8W, LO8P, OM-8P, RS8AW, WB8, WB8H, and WB8T.

*** Note: Tile bridge Model LBS8-CP MUST be installed with the appropriate backbox as the grille will not mount directly to the tile bridge.



LBS8-CP

6" Speaker Tile Bridge

**A
U
D
I
O**

Companion Mounting Accessories for LBS8-CP (order separately)



12" / 10"
Speakers & Accessories

8"
Speakers & Accessories

6"
Speakers & Accessories

4"
Speakers & Accessories

Horn
Speakers & Accessories

Masking
Speakers & Generators

Control
Accessories & Electronics

T-Bridges / Rails

Backbox Details (Choose one backbox, plus tile bridge or rails if required)

Model	Size	Features
CP87	11.938" Dia. x 6.687"D	Extended lip for sheetrock + batting
CP810	11.938" Dia. x 10.063"D	Extended lip for sheetrock + batting
DX58	11.938" Dia. x 8"D	.5 cu.ft., Extended lip + batting
DX108	15" Dia x 10.125"D	1 cu.ft., Extended lip + batting

Grille Details

Grille Model	Speaker Size*	Grille Size	Mounting Provisions	Material	Color	Backbox Choices	+	T-Bridge
WB8-6	6.5" (or 8"**)	12.875" Dia.	4 screws	Steel	White	CP87, CP810, DX58, DX108		LBS8-CP

* Note: Tile bridge Model LBS8-CP MUST be installed with the appropriate backbox as the grille will not mount directly to the tile bridge.

**Order Lowell's 6.5" speaker model 6A40 separately. Lowell also offers a wide selection of 8" speaker drivers that mount these backboxes when used with grille models A8AW, CN8M, CS8H, CS8W, LO8P, OM-8P, RS8AW, WB8, WB8H, and WB8T.