

Description

Lowell retrofit backbox RF871 features adjustable tension brackets for roomside installation of a speaker assembly into ceilings of various depths. Companion architectural grille for this backbox when using a 6.5" speaker is Lowell screw mount grille Model WB8-6.

The RF871 backbox is fabricated of 22 gauge welded steel and is undercoated and lined with a foam deadener to eliminate acoustic and metallic resonance. Model RF871 is 6.688"D.

The unit is furnished with four tension brackets made from 20 gauge spring steel to allow for ceiling depth adjustment from 1/2" to 2". Tension brackets are secured from the inside using one screw each. The grille mounting flange includes 8-32 screw retaining U-clips to accept the Lowell grille model WB8-6. The backbox is finished in black powder epoxy and includes one combination 1/2" - 3/4" conduit knockout in the top.

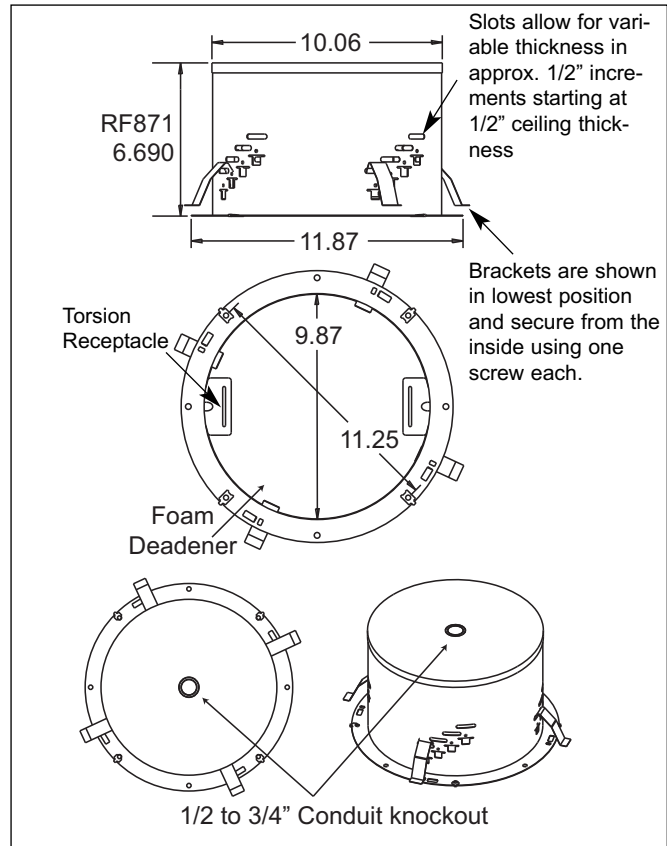
In non-retrofit suspended tile applications, the RF871 may be used with a tile bridge. It is equipped with screw holes or notches to mount Lowell's Twist'n Lock tile bridge Model LBS8 or LBS8-R1. *Note: Tile bridges or channel rails are recommended in suspended tile ceilings to transfer the speaker assembly weight to the ceiling grid (see page 2).*

A & E Specifications

The recessed backbox for 6.5" speaker drivers shall be Lowell Model RF871. It shall be fabricated of 22 gauge steel and undercoated and lined with a foam deadener to eliminate acoustic and mechanical resonance. The backbox shall measure 10.063" Dia. x 6.688"D. It shall be furnished with one 1/2" - 3/4" knockout for conduit. It shall be finished in black powder epoxy and mount Lowell grille Model WB8-6. For suspended ceiling applications, tile bridge Model LBS8, LBS8-R1 or channel rail Model SS24 or SS30 may also be specified.



RF871



RF871 Specifications

Backbox Specifications and Companion Mounting Accessories

Model	Speaker Size*	Features	Dimensions	Volume cu.ft.	Mounts Grille (order separately - see p.2)
RF871	6.5" (or 8"**)	Retrofit with Tension Bracket+Torsion	10.063"Dia x 6.688"D	0.308	WB8-6

*Order Lowell's 6.5" speaker Model 6A40 separately.

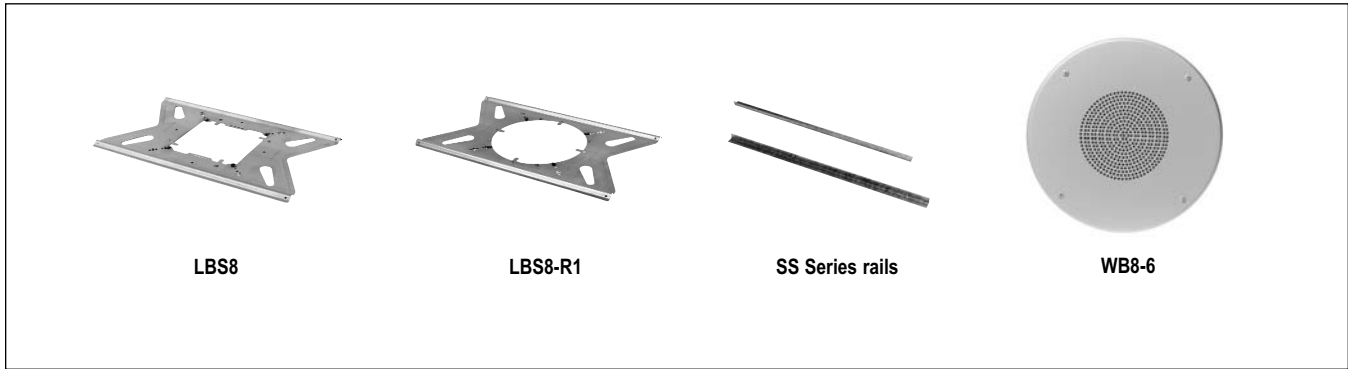
**Lowell also offers a wide selection of 8" speaker drivers that mount this backbox when used with Grille Models A8AW, CN8M, CS8H, CS8W, LO8P, OM-8P, RS8AW, WB8, WB8H and WB8T.



RF871

Recessed Backboxes for Retrofit Mounting of 6.5" Speakers

Companion accessories for backbox Model RF871 (order separately)



Tile Bridge & Rail Details

Model	Size	Description
LBS8	23.75"L	Square opening with screw or Twist'n Lock backbox mounting.
LBS8-R1	23.75"L	Round opening with screw or Twist'n Lock backbox mounting.
SS-24	23.75"L	Channel rails (pair)
SS-30	30"L	Channel rails (pair)

Grille Details

Grille Model	Speaker Size*	Grille Size	Mounting Provisions	Material	Color	Backbox	+	T-Bridge (if required for suspended ceilings)
WB8-6	6.5" **	12.875" Dia.	4 screws, 4 studs	Steel	White	RF871		LBS8, LBS8-R1 or SS rails

*Order Lowell's 6.5" speaker Model 6A40 separately.

**Lowell also offers a wide selection of 8" speaker drivers that mount this backbox when used with Grille Models A8AW, CN8M, CS8H, CS8W, LO8P, OM-8P, RS8AW, WB8, WB8H and WB8T.

AUDIO

12"/10"
Speakers & Accessories

8"
Speakers & Accessories


6"
Speakers & Accessories

4"
Speakers & Accessories

Horn
Speakers & Accessories

Masking
Speakers & Generators

Control
Accessories & Electronics

Backboxes