

Description

Lowell XCP Series protective backboxes with flat grille mounting flange are designed for installation of an 8" or 6.5" speaker/grille assembly in new or existing suspended tile ceilings. XCP Series is a popular backbox for 8" speakers and may also be used with 6.5" drivers when mounted to companion grille Model WB8-6 (order separately).

Series XCP backboxes are fabricated of welded, unitized heavy gauge steel and are sufficiently undercoated to eliminate acoustic and metallic resonance. Models XCP87 and XCP810 are 7"D and 10"D respectively with 1-1/2" thick premium acoustic lining to absorb undesirable resonance in the high frequency range. Large volume and acoustic lining allows the speaker to operate at an optimum loading level providing the system with improved low frequency response.

The grille mounting flange includes 8-32 screw retaining U-clips to accept grille Model WB8-6 for 6.5" speakers. Additionally, the backboxes will accept 8" speakers with companion screw or torsion style grilles (see 8" speaker section). Each backbox is finished in black powder epoxy and includes four combination 1/2" - 3/4" conduit knockouts and four 1/2" wire knockouts.

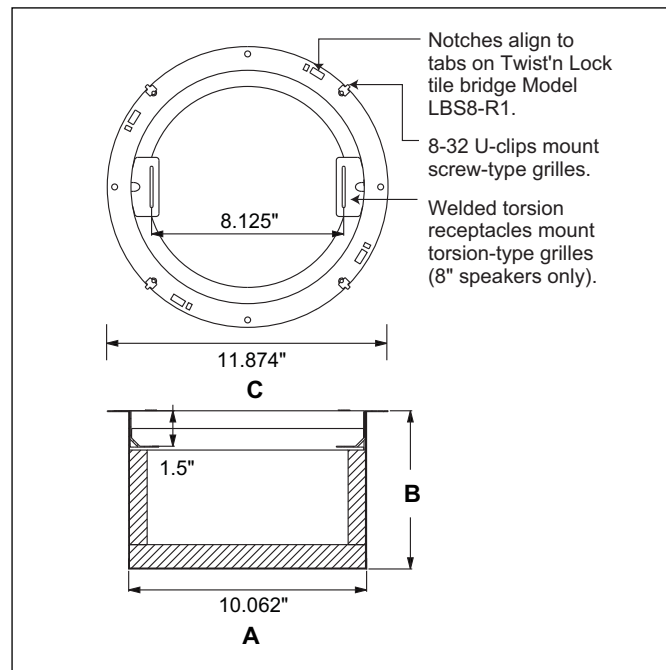
Another versatile and time-saving feature of the XCP Series is that the grille mounting flange is punched to accept the tabs on Lowell's Twist'n Lock tile bridge Model LBS8-R1. The flange also includes holes for traditional screw installation of the backbox to the tile bridge. Note: Tile bridges or channel rails are recommended in suspended tile ceilings to transfer the speaker assembly weight to the ceiling grid (see page 2).

A & E Specifications

The recessed backbox for 6.5" speaker drivers shall be Lowell Model ____ (XCP87, XCP810). It shall be fabricated of 22 gauge steel and undercoated to eliminate acoustic and mechanical resonance. Backbox shall be lined with 1-1/2" thick acoustic batting and shall measure ____ . It shall be furnished with four 1/2" - 3/4" knockouts for conduit and four 1/2" wire knockouts. It shall be finished in black powder epoxy and mount Lowell grille Model WB8-6. For suspended ceiling applications, tile bridge Model LBS8-R1 or channel rail Model SS24 or SS30 may also be specified.



XCP Series
Protective Backboxes for 6.5" Speakers



Backbox Specifications and Companion Mounting Accessories

Model	Speaker Size*	Features	Dimensions			Volume cu.ft.	Mounts Grille (order separately - see p.2)
			A	B	C		
XCP87	6.5" (or 8" **)	Flat flange for tile ceiling + batting	10.062"	6.687"	11.874"	0.308	WB-8-6**
XCP810	6.5" (or 8" **)	Flat flange for tile ceiling + batting	10.062"	10.063"	11.874"	0.463	WB-8-6**

* Order Lowell 6.5" driver Model 6A40 separately.

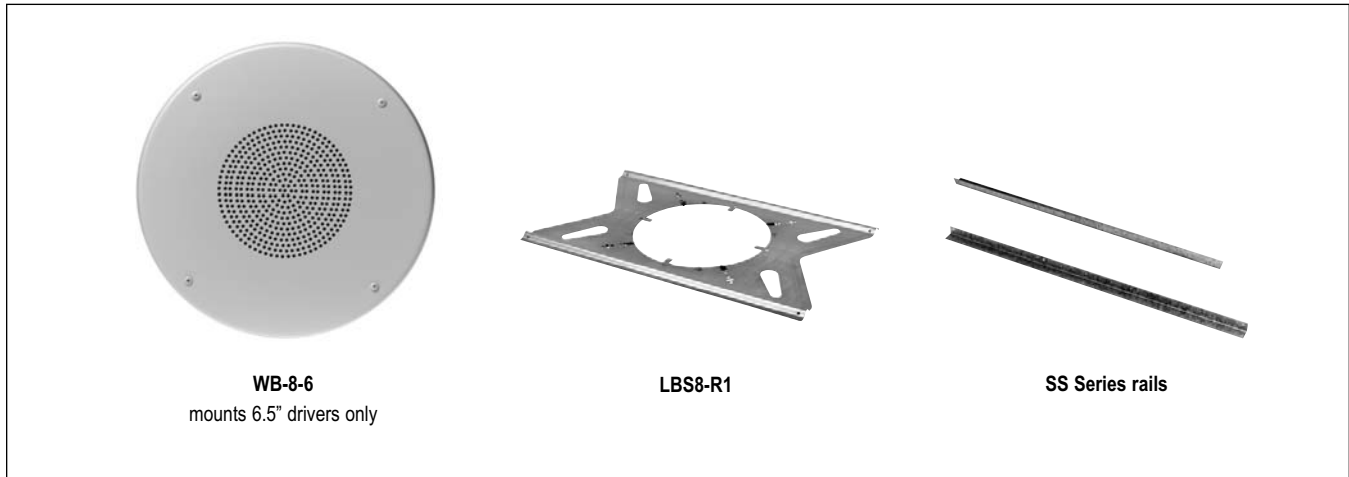
**Lowell also offers a wide selection of 8" speaker drivers and grilles that mount these backboxes when used with grille Models A8AW, CS8H, LO8P, OM8P, RS8AW, WB8, WB8H, CN-8M, CS-8W and WB-8T.



XCP Series

Cylindrical Recessed Backboxes for 6.5" Speakers

Companion accessories for backbox Models XCP87, XCP810 (order separately)



WB-8-6
mounts 6.5" drivers only

LBS8-R1

SS Series rails

**A
U
D
I
O**

12"/10"
Speakers &
Accessories

8"
Speakers &
Accessories

6"
Speakers &
Accessories

4"
Speakers &
Accessories

Horn
Speakers &
Accessories

Masking
Speakers &
Generators

Control
Accessories
& Electronics

Backboxes

Grille Details

Grille Model	Speaker Size*	Grille Size	Mounting Provisions	Material	Color	Backbox	+	T-Bridge (if required for suspended ceilings)
WB8-6	6.5"	12.875" Dia.	4 screws, 4 studs	Steel	White	XCP87,XCP810	LBS-8R1 or SS rails

* Order Lowell 6.5" driver Model 6A40 separately.

**Lowell also offers a wide selection of 8" speaker drivers and grilles that mount these backboxes when used with grille Models A8AW, CS8H, LO8P, OM8P, RS8AW, WB8, WB8H, CN-8M, CS-8W and WB-8T .

Tile Bridge & Rail Details

LBS8-R1	23.75"L	Round opening with screw or Twist'n Lock backbox mounting.
SS-24	23.75"L	Channel rails (pair)
SS-30	30"L	Channel rails (pair)