

Description

Lowell CP Series protective backboxes with extended grille mounting flange are designed for recessed installation of distributed speaker systems. Extended flange makes them ideal for use in new construction where the flange protects the opening from plaster, poured concrete, or sheetrock. The series may also be used in new or existing construction when installed into suspended tile ceilings. CP Series is a popular backbox for 8" speakers and may also be used with 6.5" drivers when mounted to companion grille Model WB8-6 (order separately). Backbox Model CP87 is 7"D and CP810 is 10"D.

Series CP backboxes are fabricated of welded, unitized heavy gauge steel and are sufficiently undercoated to eliminate acoustic and metallic resonance. Models CP87 and CP810 are lined with 1-1/2" thick premium acoustic lining having a density rating of 1-1/2 pounds to absorb undesirable resonance in the high frequency range. Additional cubic volume of these models also allows the speaker to operate at a more optimum loading level providing the system with improved low frequency response.

Each unit is furnished with four combination 1/2" - 3/4" conduit knockouts and four 1/2" wire knockouts. The grille mounting flange projects 0.437" for efficient installation in plaster, poured concrete, sheetrock, or suspended tile ceilings. The flange includes 8-32 screw retaining U-clips to accept a wide variety of Lowell speaker grilles - see chart below (order separately). When installed in a suspended tile ceiling, tile bridge Model LBS8-CP or SS Series rails are recommended to transfer the assembly weight to the ceiling grid. The backbox is finished in Lowell's durable black powder epoxy.

A & E Specifications

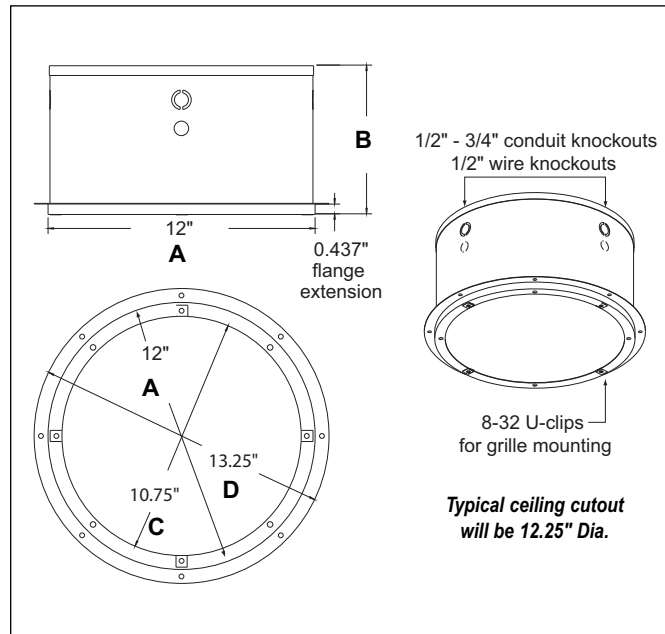
The recessed backbox for 6.5" speaker drivers shall be Lowell Model ____ (CP87, CP810). It shall be fabricated of 22 gauge steel and undercoated to eliminate acoustic and mechanical resonance. The backbox shall be lined with 1-1/2" thick acoustic batting. It shall measure ____ . It shall be furnished with four 1/2" - 3/4" compound knockouts for conduit and four 1/2" wire knockouts. It shall be finished in black powder epoxy and have an extended flange to mount Lowell grille Model ____ . It shall mount driver Model ____ . For suspended ceiling applications, tile bridge Model LBS8-CP or channel rail Model SS24 or SS30 may also be specified.



CP87
(includes batting)

CP810
(includes batting)

CP8 Series
Protective Backboxes for 6.5" Speakers



Backbox Specifications and Companion Mounting Accessories

Model	Speaker Size*	Features	Dimensions				Volume cu.ft.	Mounts Grille (order separately - see p.2)
			A	B	C	D		
CP87	6.5" (or 8" **)	Extended lip for sheetrock + batting	12"	6.687"	10.75"	13.25"	0.438	WB-8-6
CP810	6.5" (or 8" **)	Extended lip for sheetrock + batting	12"	10.063"	10.75"	13.25"	0.659	

* Order Lowell 6.5" driver Model 6A40 separately.

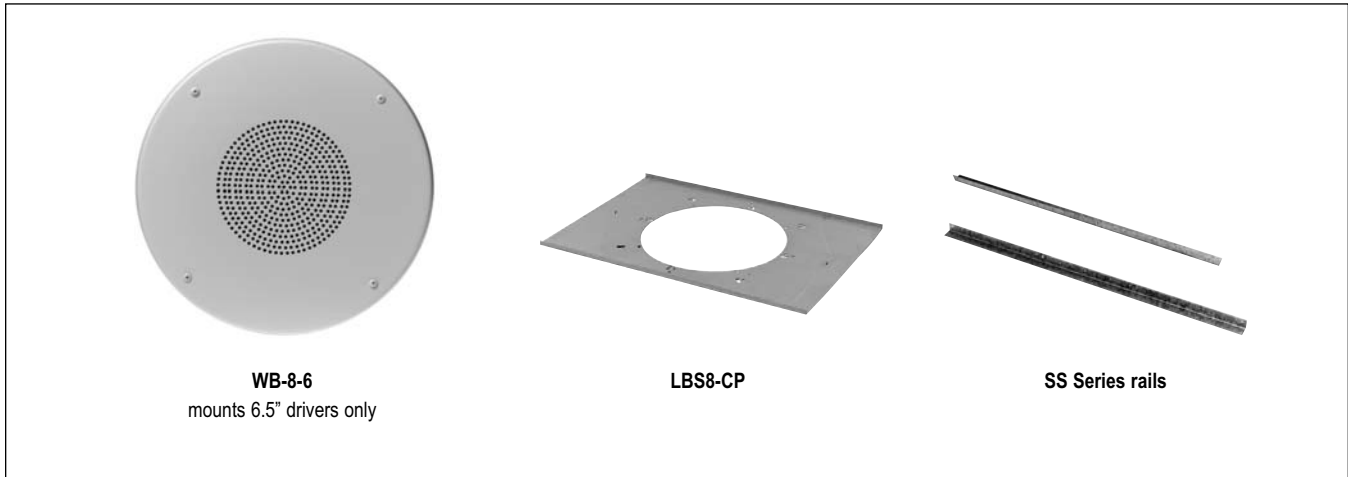
**Lowell also offers a wide selection of 8" speaker drivers that mount these backboxes when used with grille Models A8AW, CS8H, LO8P, OM8P, RS8AW, WB8 or WB8H.



CP Series

Cylindrical Recessed Backboxes for 6.5" Speakers

Companion accessories for backbox Models CP87, CP810 (order separately)



WB-8-6
mounts 6.5" drivers only



LBS8-CP



SS Series rails

**A
U
D
I
O**

12"/10"
Speakers & Accessories

8"
Speakers & Accessories


6"
Speakers & Accessories

4"
Speakers & Accessories

Horn
Speakers & Accessories

Masking
Speakers & Generators

Control
Accessories & Electronics

Backboxes

Grille Details

Grille Model	Speaker Size*	Grille Size	Mounting Provisions	Material	Color	Backbox	+	T-Bridge (if required for suspended ceilings)
WB8-6	6.5"	12.875" Dia.	4 screws, 4 studs	Steel	White	CP87, CP810	LBS8-CP or SS rails

* Order Lowell 6.5" driver Model 6A40 separately.

**Lowell also offers a wide selection of 8" speaker drivers that mount these backboxes when used with grille Models A8AW, CS8H, LO8P, OM8P, RS8AW, WB8 or WB8H.

Tile Bridge & Rail Details

LBS8-CP	23.75"L	Round opening - designed specifically to accept flange on CP8 Series.
SS-24	23.75"L	Channel rails (pair)
SS-30	30"L	Channel rails (pair)