

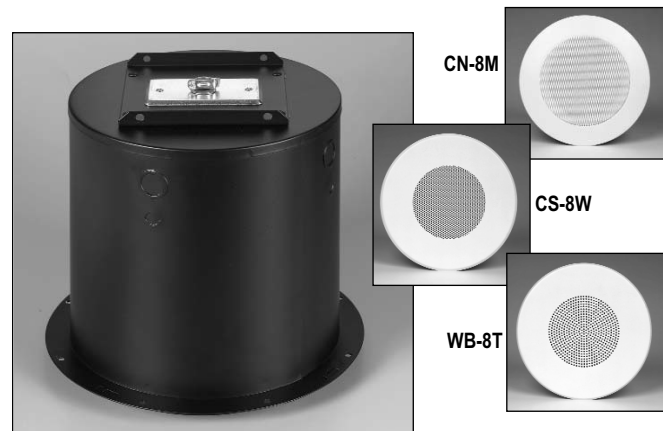
Description

Lowell Model IX610-EL acoustic backbox with recessed speaker flange, torsion receptacles, and extended grille mounting flange is designed for new drywall construction or tile ceiling applications where the backbox is installed ahead of the driver. The recessed speaker flange is specifically engineered to screw mount and support Lowell's coaxial 6.5" driver while the torsion receptacles mount the non-load bearing torsion grille for a hardware-free finished appearance. The generous 10" backbox depth with acoustic treatment accepts E.I.A. 6.5-inch drivers (typically coaxial) and a recessed lighting style torsion grille making it ideal for new construction projects in upscale commercial, institutional, retail, religious and residential applications.

The IX610-EL backbox has two unique features: first, it has a recessed speaker flange for direct mounting the driver; second, it has an internal transformer bracket (for field mounting the transformer if desired) accessible through a rear mounted plate with a separate 1-gang wire access panel and metal cable clamp. The speaker flange is recessed 1.25" allowing the selected 6.5" driver (order separately) to screw mount directly to the flange. This direct mount speaker-to-backbox method removes the traditional 3.5 pound weight limit for a torsion grille (order separately) allowing a heavier, more powerful 6.5" driver to be used with a visually hardware-free grille. The IX610-EL direct mount backbox is ideal for installing Lowell's high fidelity 6.5" coaxial driver Model 6A40 (40W) which is available with factory-wired or separately ordered TLM Series transformers.

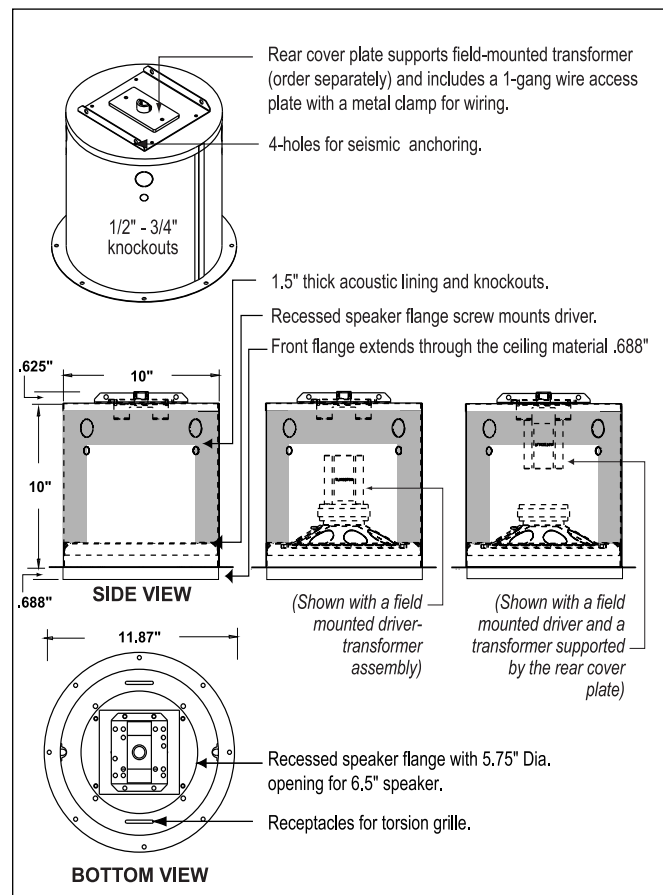
Note: Lowell also offers a packaged speaker system (shipped ready to install) utilizing the components noted above. Order the CN6A-EL Series speaker systems which include the IX610-EL backbox with a mounted 6A40 driver, choice of 8W or 16W transformer and the CN8A grille.

Model IX610-EL backbox measures 10"D and is fabricated of welded, unitized heavy gauge steel that is undercoated and lined with 1-1/2" thick premium acoustic lining. The larger than average volume combined with the acoustic treatment allow the 6.5-inch driver to operate at optimum loading levels for improved low frequency system response. Knockouts size 1/2" - 3/4" and 1/2" are provided on all four sides for wire/conduit access. Additionally, the backbox includes an internal transformer bracket accessible through a rear mounted plate with a separate 1-gang wire access panel and metal cable clamp. The recessed speaker flange features two integral torsion receptacles to accept selected torsion grille. The backbox is finished in black powder epoxy. Optional channel mounting rails are recommended (order separately) for tile ceiling applications.



IX610-EL Backbox
Screw mounts a heavy coaxial 6.5" driver and then accepts a visually hardware free torsion grille

Companion grilles
(order separately)



Backbox Specifications and Companion Mounting Accessories

Model	Mounts Speaker Size*	Features	Dimensions			Volume cu.ft.	Mounts Grille (order separately - see p.2)	Mounts Rails (order separately)
			Height**	Can Dia.	Lip Dia.			
IX610-EL	6.5"	Direct mounts driver, batting, T-receptacles	10.688"	10.062"	11.874"	0.398	CN-8M, CS-8W, WB-8T	SS Series

*Backbox Model IX610-EL will mount Lowell's Model 6A40 or other EIA 6.5" drivers. Transformers may be driver mounted or supported by the rear cover plate as shown.

** Transformer bracket extends an additional .625"



IX610-EL

10"D Backbox for Mounting a Heavy 6.5" Speaker and a Torsion Grille

A & E Specifications

The recessed backbox for 6.5" speaker drivers shall be Lowell Model IX610-EL. It shall be fabricated of 22 gauge steel, under-coated and lined with 1-1/2" thick acoustic batting to eliminate acoustic and mechanical resonance. Backbox shall have an overall depth of 10.688" with a recessed flange for direct mounting the specified driver. It shall be furnished with four 1/2" - 3/4" knockouts for conduit and four 1/2" wire knockouts. It shall have an internal transformer bracket accessible through a rear

mounted plate with a separate 1-gang wire access panel and metal cable clamp. It shall be finished in black powder epoxy. Backbox Model IX610-EL shall mount Lowell 6.5-inch driver Model _____, 70V transformer Model _____, 10.875" diameter torsion grille Model _____ and channel rail Model _____ (required for suspended tile ceiling applications).

Companion accessories for backbox Model IX610-EL (order separately)



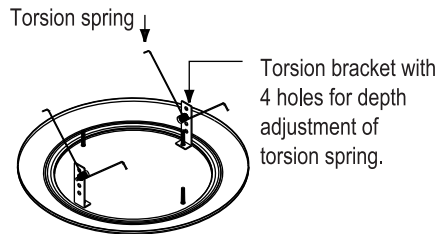
CN-8M (torsion)



CS-8W (torsion)



WB-8T (torsion)



Torsion grille (order separately) mounts without visible hardware using field installed torsion brackets..

AUDIO

12"10"
Speakers & Accessories

8"
Speakers & Accessories

6"
Speakers & Accessories

4"
Speakers & Accessories

Horn
Speakers & Accessories

Masking
Speakers & Generators

Control
Accessories & Electronics

Backboxes

Grille Details

Grille Model	Speaker Size*	Grille Size	Mounting Provisions	Material	Color	Mounts Backbox	+	Mounts Rails (required for suspended ceilings)
CN-8M	6.5"	12.5" Dia.	Torsion hardware	Steel	White			
CS-8W	6.5"	12.875" Dia.	Torsion hardware	Steel	White	IX610-EL		SS Series
WB-8T	6.5"	12.875" Dia.	Torsion hardware	Steel	White			

* Recommended drivers include 6A40(40W) with optional transformer Model TLM870(8W), TLM1670(16W).
Note: Grilles will also mount standard 8" drivers and 8" backboxes (see 8" speakers and accessories section).



SS Series rails

Channel Rail Details

SS-24	23.75"L	Channel rails (pair)
SS-30	30"L	Channel rails (pair)