

Quality Features

- Mounts 4" speakers with selection of torsion grilles.
- Economical alternative to using a recessed backbox.
- Features a .50" rim extension for easy drywall or panel finishing prior to speaker-grille installation.

Description

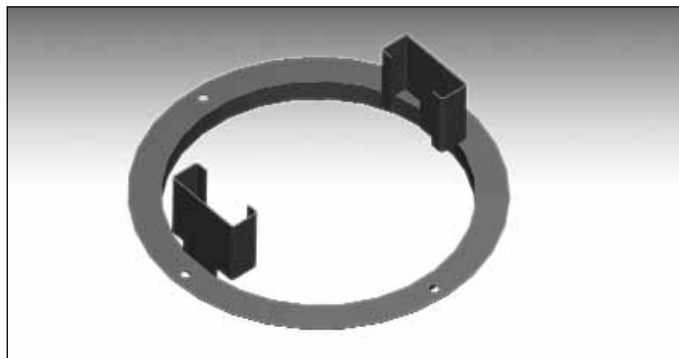
Lowell mounting ring Model XPR-4T is engineered for recessed installation of a 4" speaker with torsion grille into a ceiling or wall. Cost effective and light weight mounting accessories are ideal for applications where ceiling or wall depth does not permit the use of a protective backbox or where a backbox is not required. Model XPR-4T mounting ring is 22-gauge US steel construction with torsion receptacles to mount torsion grille Models CN-4, CN-4M or WB-4T. Additionally, it includes a .50" rim that extends out from the rough-in ceiling or wall for flush drywall or panel finishing.

Please note the recommended load limit for a torsion grille is 3.5 pounds. Lowell offers a selection of 4" speaker drivers with optional 70V or 25V transformer for distributed music and voice paging. Popular 4" drivers include Model 4A30 (30W coaxial - 1.75 lbs w/o xfmr) and JR410 (15W high compliance cone - 1.7 lbs w/o xfmr).

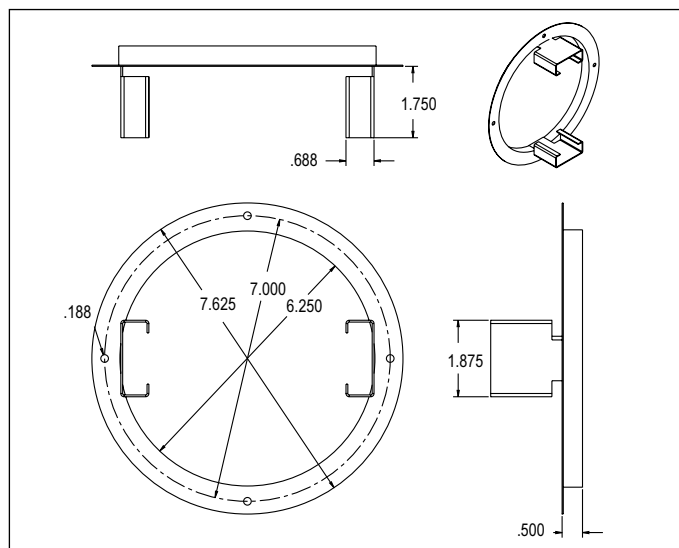
As with all projects, speaker installation should be performed per local building codes and regulations; many of which require a backbox for speaker installation.

A & E Specifications

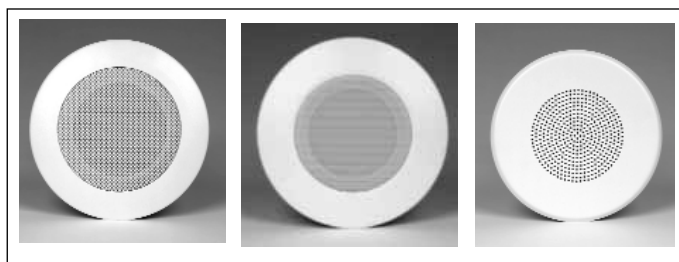
The mounting ring for 4" speaker installation with torsion grille shall be Lowell Model XPR-4T. The specified mounting ring shall torsion mount 4" speakers with Lowell torsion grille Model _____. The ring shall be 22 gauge steel construction with a .50" rim and shall have two welded torsion receptacles. Finish shall be black powder epoxy.



XPR-4T



Dimensions for XPR-4T



CN-4

CN-4M

WB-4T

Companion Grilles (order separately)

Backbox Specifications

Mounting Ring Model	Mounts Speaker Size	Mounting Ring Size	Features	Material / Color	Mounts Grille (order separately)
XPR-4T	4"	7.625" O.D., 6.25" I.D.	Economical when a backbox isn't required	Steel / Black	CN-4, CN-4M, WB-4T

Companion Grille (order separately)

Grille Model	Mounts Speaker Size	Grille Size	Mounting Style	Material	Color	Mounting Ring (use when a backbox is not required)
CN-4	4"	7.625" Dia.	Torsion*	Steel	White	XPR-4T
CN-4M	4"	8.562" Dia.	Torsion*	Steel	White	
WB-4T	4"	7.25" Dia.	Torsion*	Steel	White	

* Maximum speaker weight is 5 lbs. Lowell offers a selection of 4" speakers with factory wired 70V or 25V transformers - see list in the Description paragraph or get specifications on the website.



XPR-4T

Mounting Ring for 4" Speakers and Torsion Grilles CN-4, CN-4M & WB-4T

Companion Accessories for Mounting Ring Model XPR-4T (order separately)

A
U
D
I
O

12"/10"
Speakers &
Accessories

8"
Speakers &
Accessories

6"
Speakers &
Accessories

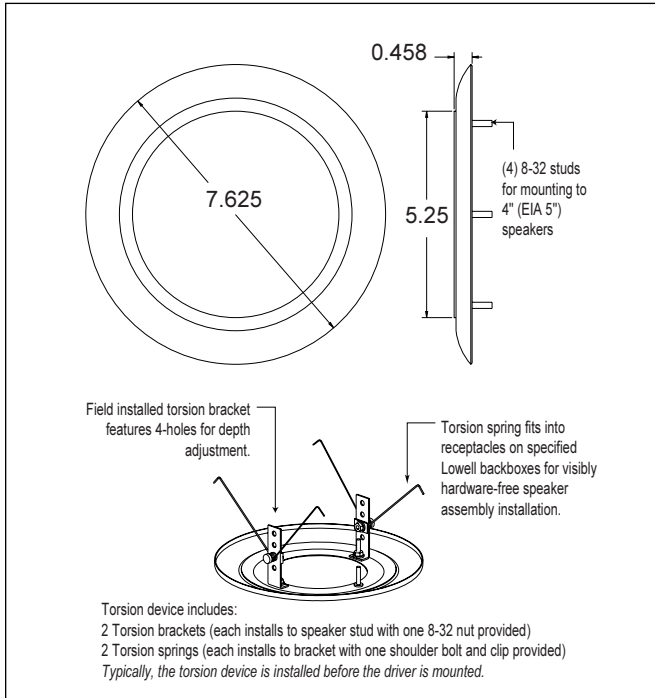
4"
Speakers &
Accessories

Horn
Speakers &
Accessories

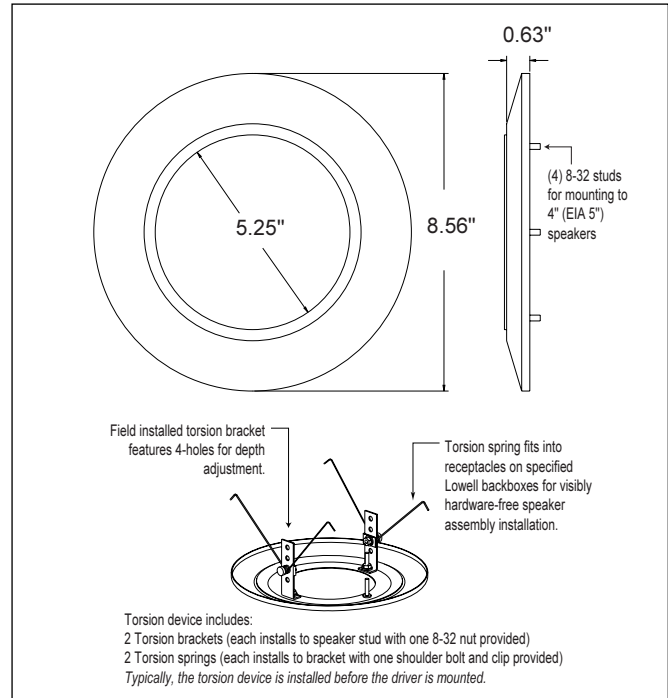
Masking
Speakers &
Generators

Control
Accessories
& Electronics

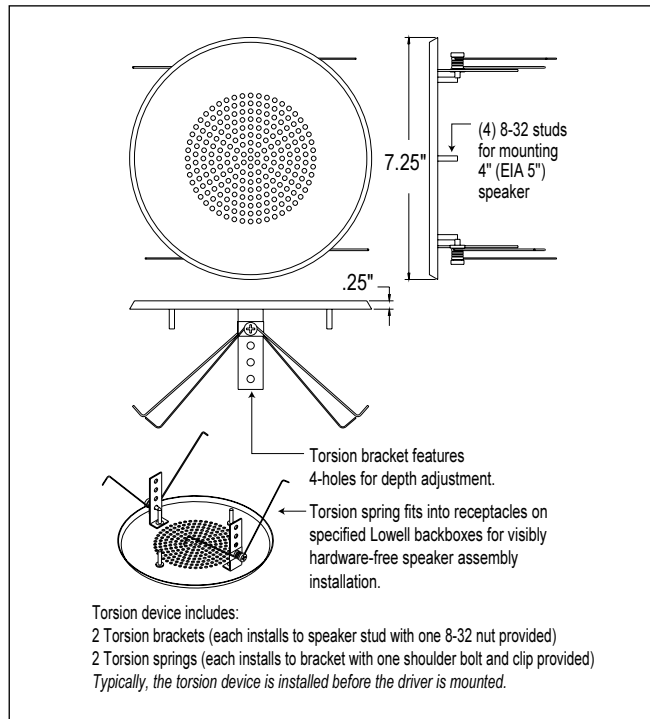
T-Bridges / Rails / Rings



CN-4 Dimensions



CN-4M Dimensions



WB4T Dimensions