

Quality Features

- Dual speaker and masking systems install quickly into suspended tile ceilings.
- Choose 1' x 2' tile systems with integral patented T-bar or 2' x 2' tile replacement systems.
- Backbox is chambered and lined with fiberglass for optimum performance and separation of each driver.
- Ready-to-mount systems include separate paging and masking drivers mounted within the backbox/grille assembly.
- Fine perforated grilles blend with ceiling tiles and provide excellent acoustic transparency.

Description

LT Paging / Masking Systems (U.S.A. Patent #6,950,526, and #7,120,269 and #D467,579) offer true labor savings and architectural advantages above and below a suspended tile ceiling. Ready-to-install 1' x 2' and 2' x 2' tile systems feature a separate 15W paging driver firing down through the grille and a separate 15W masking driver firing up through a perforated area on the backbox. The mounted backbox measures 23.75"L x 10.5"W x 6"H, is lined with 1-1/2" thick acoustic fiberglass and is partitioned to provide 700 cu.in. volume for the paging driver and 700 cu.in. volume for the masking driver. Speaker connections are externally accessible through metal clamps. Factory wired options a rotary switch (RS) or a volume control potentiometer (VL).

LT 1' x 2' Paging / Masking systems include items noted mounted to a 1' x 2' subplate and a fine perforated grille with patented *Integral T-bar* to support the adjacent cut ceiling tile. Systems are supported by the T-bar grid and replace half of a 2' x 2' tile or one quarter of a 2' x 4' tile.

LT 2' x 2' Paging / Masking systems include items noted mounted to a subplate and 2' x 2' perforated grille. The speaker/backbox assembly is offset to one side of the grille allowing the system to be rotated in the field to easily accommodate and "install around" plenum obstructions.

System Drivers for paging and masking are Lowell's 8" 15W dual-cone Model 810. Driver is designed and manufactured to assure consistent performance with clear intelligibility and wide dispersion making it suitable for either paging or masking. *General specifications are shown on page 2; detailed specifications are outlined on the driver's specification sheet.*

Architectural Grilles feature a fine perforated pattern for a clean unobtrusive appearance. Grilles are engineered to provide maximum free-air space for excellent speaker sound transmission while achieving virtually invisible presentation of the speaker in new or existing tile ceilings. 1' x 2' grilles include an integral two-foot T-bar to support neighboring tile; 2' x 2' grilles simply replace a 2' x 2' tile. All are formed from perforated steel and finished in white powder epoxy for long lasting appearance.

Optional Controls include a rotary switch (RS) transformer tap selector with knob-adjust control wired to the masking speaker or a volume control (VL) potentiometer (50ohm) with shaft-adjust volume level control to the masking speaker which provides for fine adjustment of levels near bleed through areas such as light fixtures, air returns, etc.



Series LTSM Paging/Masking Systems

Dual Purpose 1' x 2' and 2' x 2' Tile Speaker/Masking Systems

A & E Specifications

The speaker paging/masking system for suspended tile ceilings shall be Lowell dual purpose Model _____ with grille size _____ (1' x 2', 2' x 2'). 1' x 2' systems shall replace half of a 2' x 2' tile or one quarter of a 2' x 4' tile and shall include an integral T-Bar to support the adjacent ceiling tile. 2' x 2' systems shall directly replace a 2' x 2' tile. Each system shall include two drivers; one for paging and one for masking. Both drivers shall include a factory wired transformer. Paging driver shall be mounted for downward sound projection through the grille; the masking driver shall be mounted for upward sound projection through welded perf in the top of the backbox. Both shall be mounted to a sub-plate with a fine perforated steel grille finished in

white powder epoxy. System shall also include a factory mounted steel backbox that is partitioned into two sections of 700cu.in. each and lined with 1-1/2 inch thick fiberglass and finished in black powder epoxy. The paging driver shall be Model 810 with a power rating of 15W. It shall have a frequency response of 47Hz - 20kHz \pm 6dB and an Avg sensitivity of 95dB measured 1W/1M. The masking driver shall be Model 810 with a power rating of 15W. It shall have a frequency response of 47Hz - 20kHz \pm 6dB and Avg sensitivity of 95dB measured 1W/1M. Wired to the 8 ohm voice coil of each driver shall be a 70V transformer with primary taps at 0.25, 0.5, 1, 2, 5W. Speaker connections shall be externally accessible and secured through metal clamps. System shall include an optional _____ (rotary tap selector, volume level potentiometer).

LT SERIES PAGING/MASKING SYSTEMS

1' x 2' System Model (Integral T-bar)	2' x 2' System Model (Tile Replacement)	Paging Driver (Down)	Masking Driver (Up)	Xfmr Model (ea. driver)	Xfmr Taps (ea. driver)	Backbox Volume (cu.in.) (paging / masking)	Optional Controls (factory mounted)
Paging 15W + Masking 15W							
LT810-SM810	LT2810-SM810	810	810	TLM572	.25, .5, 1, 2, 5W	700 / 700	---
LT810-SM810RS	LT2810-SM810RS	810	810	TLM572	.25, .5, 1, 2, 5W	700 / 700	Rotary tap select
LT810-SM810VL	LT2810-SM810VL	810	810	TLM572	.25, .5, 1, 2, 5W	700 / 700	Volume level pot

DRIVER SPECIFICATIONS (measured half space)

Driver* Model	Size	Power Rating	Type	Ceramic Magnet	Frequency Response	Dispersion	Voice Coil Diameter	Sensitivity 1W / 1M	Weight (w/o xfmr)
810	8"	15W	Dual cone	10 oz.	47Hz - 20kHz \pm 6dB	120° @ 2000Hz -6dB	1"	95dB Avg 100dB Peak	2.0 lbs.

*Complete driver information including frequency and polar data is available on the driver specification sheet.



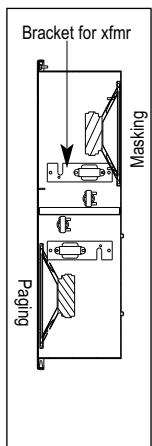
12"10"
Speakers & Accessories

8"
Speakers & Accessories

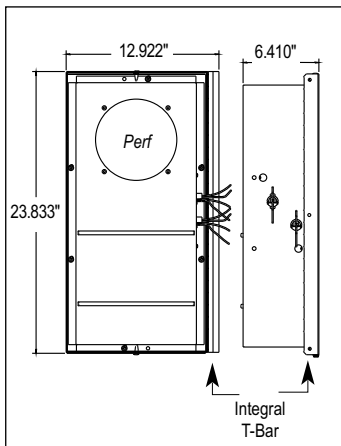
6"
Speakers & Accessories

4"
Speakers & Accessories

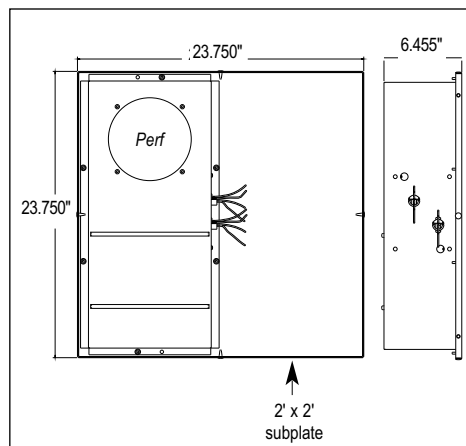
Horn
Speakers & Accessories



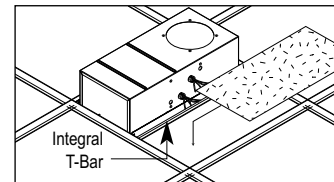
Side View
Speaker orientation



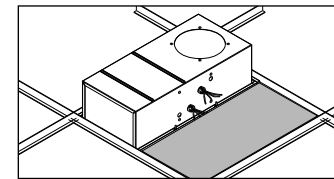
Dimensions
LT Series 1' x 2' Systems
with 1400 cu.in. divided backbox.



Dimensions
LT Series 2' x 2' Systems
with 1400 cu.in. divided backbox.



1' x 2' installation
Replaces 1/2 of a 2' x 2' or 1/4 of a 2' x 4' tile. Integral T-Bar supports tile that was cut.



2' x 2' installation
Replaces a 2' x 2' tile. Backbox is mounted to one side for versatile placement around plenum obstructions.

Masking
Speakers & Generators

Control
Accessories & Electronics

Masking
Speakers