

Quality Features

- Compact speaker assembly with 15W power rating features a 4" woofer and a 2" tweeter.
- Plastic housing is white or black with a matching aluminum grille finished in durable powder epoxy paint.
- Adjustable bracket provides easy surface installation.
- Suitable for 8ohm or 70V operation.

long-lasting quality appearance. Each assembly mounts easily using a removeable U-shaped bracket that allows for on-site adjustment to achieve directional sound coverage. Each speaker assembly is packaged separately (not in pairs). Choose black Model FMS-15TBA or white Model FMS-15TWA.

Description

Lowell foreground music speaker Series FMS-15T is easily surface mounted, indoors or out, to provide quality music reproduction in 8 ohm or distributed foreground/background music installations where frequency response with clear vocal and music reproduction are desired.

Series FMS-15T features a 4" (8oz.) paper cone woofer with a 2" (1oz.) paper cone tweeter. It has a 15W power rating and may be used in 8-ohm applications or in distributed 70V systems using the multi-tap selector switch on the rear of the unit. Taps are available at 1, 2, 4, 8 and 15W. The attractive and weather-resistant housing is plastic with an aluminum grille finished in white (W) or black (B) powder epoxy for

A & E Specifications

The speaker for indoor / outdoor foreground music application shall be Lowell Model ____ (FMS-15TBA, FMS-15TWA). The speaker shall have a 4" paper cone woofer with a 2" paper cone tweeter. It shall have a 15W power rating with a screwdriver adjustable switch for direct 8-ohm or 70 volt distributed application. It shall have a frequency response of 140Hz - 14kHz ± 4dB and a sensitivity of 82dB measured 1W/1M. The housing shall be plastic with an aluminum grille finished in ____ (black, white) powder epoxy paint. The assembly shall include an adjustable bracket for surface mount installation. The assembly shall weigh 4.75 lbs. (including bracket) and shall be packaged one per carton.

Assembly Model	Power Rating	Assembly Color	Speaker Type (2-way)	Frequency Response	Input	SPL 1W / 1M	Weight	Housing H x W x D	Material Housing/Grille
FMS-15TBA	15W	Black	LF: 4" Paper, HF: 2" Paper	140Hz - 14kHz± 4dB	8ohms or 70V*	82dB	4.75 lbs.	7.5" x 4.5" x 4.2"	Plastic/Aluminum
FMS-15TWA	15W	White	LF: 4" Paper, HF: 2" Paper	140Hz - 14kHz± 4dB	8ohms or 70V*	82dB	4.75 lbs.	7.5" x 4.5" x 4.2"	Plastic/Aluminum

*Screwdriver selector switch allows for direct 8-ohm connection or distributed with 70V transformer having taps at 1, 2, 4, 8 and 15 watts.



FMS-15T Series

15W Indoor/Outdoor Foreground Music Speaker

A
U
D
I
O

12"/10"
Speakers &
Accessories

8"
Speakers &
Accessories

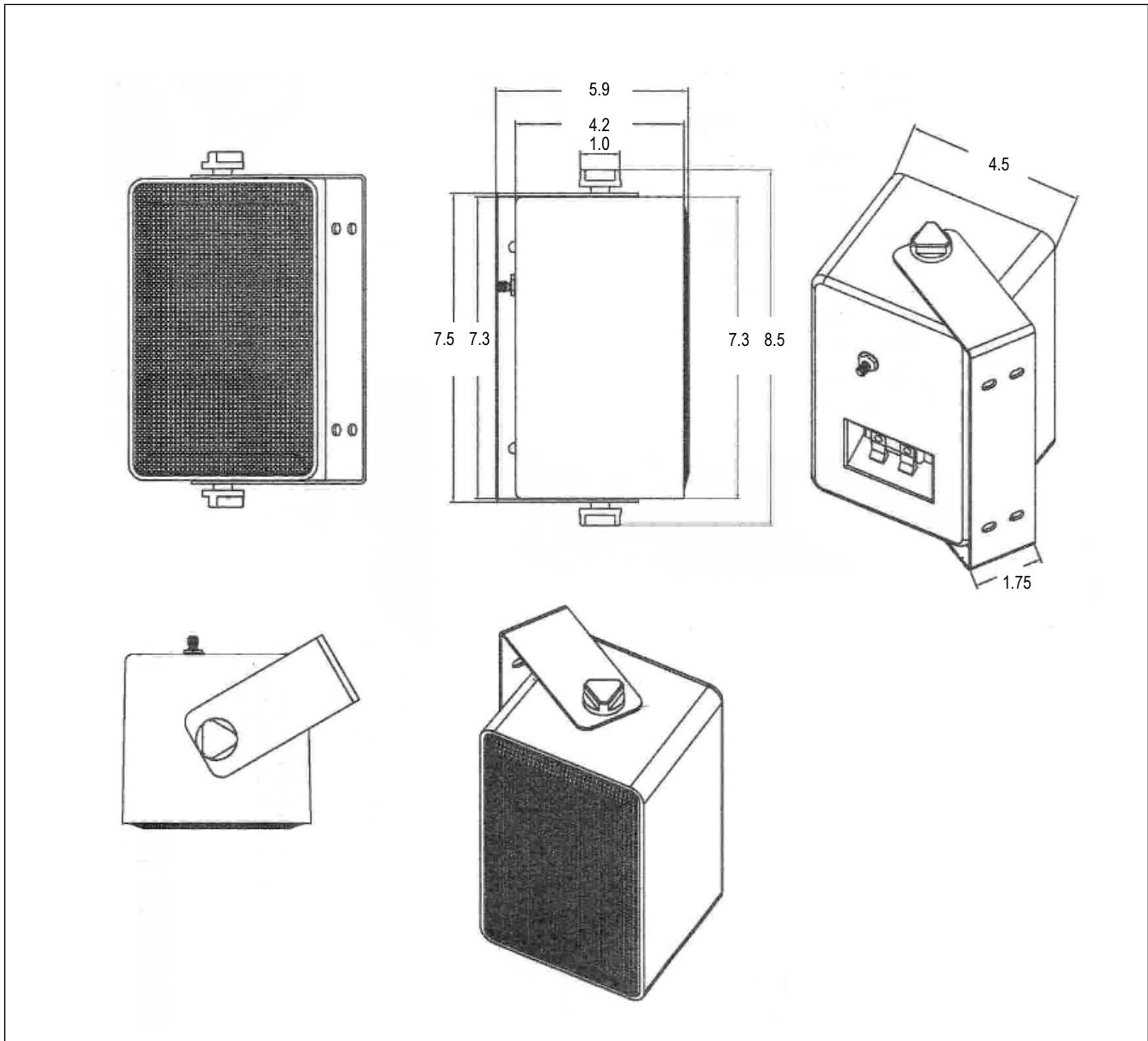
6"
Speakers &
Accessories


4"
Speakers &
Accessories

Horn
Speakers &
Accessories

Masking
Speakers &
Generators

Control
Accessories
& Electronics



FMS-15T Series Dimensions

Systems