

Model: SMTGM

Sound-masking Tile Grid-mount Speaker Assembly

Description:

A sound-masking system helps to provide greater conversational privacy and productivity in an open-office environment by adding noise and shaping the signal to mask speech. The noise signal is fed from a noise generator with a built-in or separate amplifier to sound masking speakers that are positioned out-of-view above ceiling tiles. SMTGM-series speakers are ideal for applications where suspended ceiling-to-deck space is limited. The 700 cu.in. backbox is 6"H and is mounted to a tray that 'hooks-over / hangs-on' to the 24" centers of the T-bar grid. This allows the system to be installed out-of-sight, above the ceiling tile. Models are shipped assembled for fast installation in T-bar style 2' x 2' or 2' x 4' ceiling applications. Selection includes a choice of two drivers with factory-wired 70V-5W transformer mounted within an acoustic-lined 700 cu.in. backbox with a perforated grille secured to a tray that's equipped with formed flanges engineered to connect over the T-bar grid. The SMTGM-810 series includes an 8" 15W dual-cone driver (model 810); the SMTGM-410 series includes a 4" 15W high-compliance driver (model JR410). Both are economical, installer-friendly systems with externally accessible color-coded speaker leads exiting the backbox through a strain relief clamp. The backbox/tray assembly is finished in black powder epoxy. The unique Grid Mount™ tray assembly allows for fast and trouble-free installation of a masking speaker above a T-bar supported ceiling tile for upward sound dispersion. The tray assembly may be secured, if required, to the grid using set screws (not included).

Features:

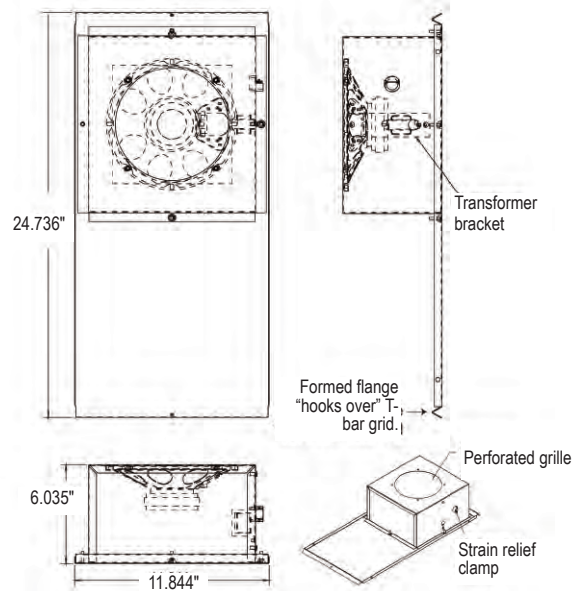
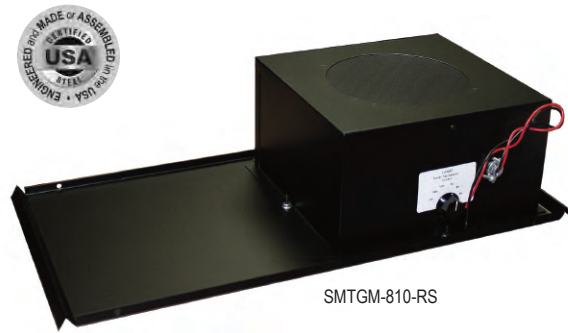
- Ships completely assembled and ready to install.
- Includes 1 speaker, either an 8" (810) or 4" (JR410) with 15W power rating in an acoustic-lined 700 cu.in. backbox with perforated grille and externally accessible leads mounted to a tray with formed flanges that hook-over the T-bar grid. Plus transformer 70V @ 5, 2, 1, .5, .25W

Options:

- Rotary Switch: factory-installed, externally accessible, six position rotary switch with knob adjustment provides a convenient way to change transformer taps.
- Volume Level Control: factory-installed 50-ohm shaft-adjust potentiometer for volume level adjustment to the masking speaker. The control is to fine-tune speaker levels near bleed through areas such as light fixtures or air returns.

A&E Specifications:

The sound-masking speaker assembly for suspended ceiling installations shall be Lowell Model _____. The assembly shall include a driver with factory wired transformer mounted within a 700 cu.in. acoustic backbox with perforated grille, externally accessible speaker leads, attached to a tray with formed flanges that connect to the T-bar grid. The assembly driver shall be _____ (8" dual cone, 4" high compliance) with a power rating of 15W. The wired transformer shall be 70V with primary taps at 5, 2, 1, .5, and .25 watts. Speaker leads shall exit the backbox through a strain relief clamp. The backbox shall be welded steel with undercoating to eliminate acoustic and metallic resonance. Additionally, the backbox shall be lined with 1-1/2" acoustical batting to



further eliminate internal reflections. Installation to the T-bar grid ABOVE a ceiling tile shall be accomplished using the formed flanges on the tray. If required, the tray shall be secured to the T-bar grid using screws. Sound projection of the speaker assembly shall be upward. Options: Assembly shall include a factory mounted, six-position rotary switch with a knob on the outside of the backbox for selection of transformer taps. (or) Assembly shall include a factory mounted 50-ohm potentiometer wired to the masking speaker for level adjustment.

Model No.	Description	Former No.	Speaker No.	Type	Backbox Volume	Dispersion Angle	Installed Options
SMTGM-810	Sound-masking speaker	SMLT810	810	8" dual cone (10oz.)	700 cu.in.	Up	-----
SMTGM-810-RS	Sound-masking speaker with rotary switch	SMLT810RS	810	8" dual cone (10oz.)	700 cu.in.	Up	Rotary switch
SMTGM-810-VL	Sound-masking speaker with vol control	SMLT810VL	810	8" dual cone (10oz.)	700 cu.in.	Up	Vol control
SMTGM-410	Sound-masking speaker	SMLT410	JR410	4" high comp (10oz.)	700 cu.in.	Up	-----
SMTGM-410-RS	Sound-masking speaker with rotary switch	SMLT410RS	JR410	4" high comp (10oz.)	700 cu.in.	Up	Rotary switch
SMTGM-410-VL	Sound-masking speaker with vol control	SMLT410VL	JR410	4" high comp (10oz.)	700 cu.in.	Up	Vol control

Spec. No. 1001
(rev. 12.08.10)
pg. 1 of 1

©2010 Lowell Manufacturing Company, 100 Integram Dr., Pacific MO 63069. Phone-800.325.9660 Fax-636.257.6606. Lowell makes every effort to provide accurate information while reserving the right to change specifications and/or improve manufacturing methods without notification. (lowellmfg.com)

