

## Features

- Handy 19"W x 9"D storage boxes with locking hinged door are offered in 3, 4 and 6RU heights.
- Fully welded 16-gauge US steel construction.
- Mounts on the front rails of 19"W EIA racks.
- Finished in durable black powder epoxy.

## Description

Lowell's locking storage box Series L20 is designed to house and protect loose equipment, tools, controls and accessories when not in use. Sturdy storage boxes are fully welded 16 gauge US steel with a locking door that is hinged along the bottom and secured with chain stops. The stops are a safety precaution alleviating the potential of the door swinging down into equipment mounted below. The door is also equipped with a keylock and a recessed handle.

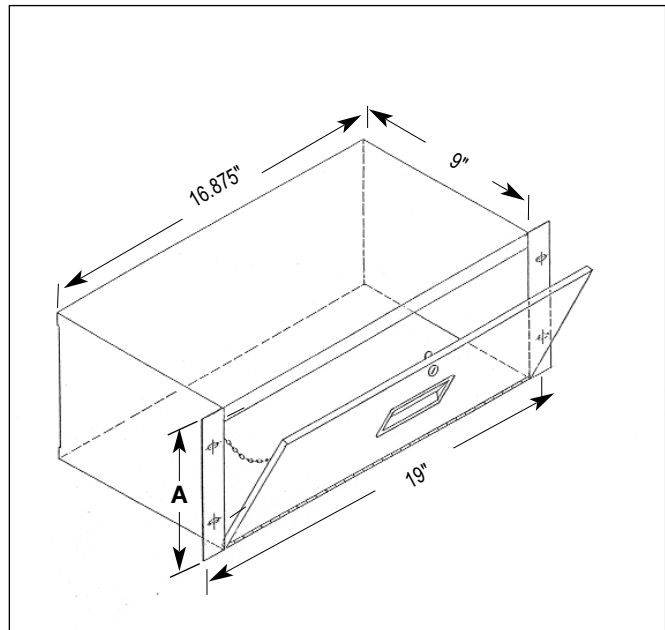
Series L20 storage boxes are 19"W x 9"D and are offered in panel space heights of 3, 4 and 6 RU. The boxes have a conservative load rating of 50 pounds and mount easily to the front mounting rails on EIA 19"W racks using 10-32 hardware (order panel mounting screws separately - see page 2). Assemblies are finished in smooth black powder epoxy.

## A & E Specifications

The locking storage box for 19"W rackmount use shall be Lowell Model \_\_\_\_\_ (L20-195, L20-197, L20-1910). The storage box shall have a panel space height of \_\_\_\_ (3RU, 4RU, 6RU). Construction shall be fully welded 16 gauge steel with a front door hinged along the bottom. It shall include a recessed drawer pull, lock and two keys. The load rating shall be 50 lbs. Finish shall be black powder epoxy.



L20 Series

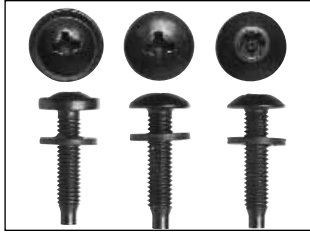


L20 Series Dimensions

### 19"W L20 SERIES STORAGE BOX SPECIFICATIONS

Model	Description	Overall Depth	(A) Panel Space (Inches)	(A) Panel Space (Rack Units)	Inside Height	Inside Depth	Inside Width	Weight	Load Rating
L20-195	Storage box with locking door	9"	5.25"	3 RU	4.125"	8.375"	16.75"	10 lbs.	50 lbs.
L20-197	Storage box with locking door	9"	7"	4 RU	5.875"	8.375"	16.75"	12 lbs.	50 lbs.
L20-1910	Storage box with locking door	9"	10.5"	6 RU	9.375"	8.375"	16.75"	18 lbs.	50 lbs.

**Panel Mounting Screws** (order separately)



**RSP** Phillips Finish Head  
**RS** Phillips Truss Head  
**RSV** Torx® Star Post Head



**RSP-500 / RS-500 Jars**

**ALL screws have 5.1 hardness and include PilotPoint™ tip and captive washer!**

Model	Description	Quantity
RSP-25	Hdwr phillips finish head pilot pt w washers Blk 10-32x.875	25 pc bag
RSP-100	Hdwr phillips finish head pilot pt w washers Blk 10-32x.875	100 pc bag
RSP-500	Hdwr phillips finish head pilot pt w washers Blk 10-32x.875	500 pc jar
RS-25	Hdwr phillips truss head pilot pt w washers Blk 10-32x.875	25 pc bag
RS-100	Hdwr phillips truss head pilot pt w washers Blk 10-32x.875	100 pc bag
RS-500	Hdwr phillips truss head pilot pt w washers Blk 10-32x.875	500 pc jar
RSR-50	Hdwr robertson SQ- head pilot pt w washers Blk 10-32x.875	50 pc bag
RSR-BIT	Hdwr torx pin drive bit for RSR Series screws	1 Qty
RSV-50	Hdwr torx star post security pilot pt w washers Blk 10-32x.875	50 pc bag
RSV-BIT	Hdwr torx pin drive bit for RSV Series screws	1 Qty

**NEW RSR** Robertson square head available!

**Panel Space Reference Guide per EIA Standards**

Accessory Panel Space Height - Nominal (Inches) (Rack Units - RU)		Cabinet Panel Space Opening - Actual (Inches)	EIA Holes Used / Covered per Mounting Rail (Spaced .625" - .625" - .5")
1.75	1	1.875	3
3.50	2	3.625	6
5.25	3	5.375	9
7.00	4	7.125	12
8.75	5	8.875	15
10.50	6	10.625	18
12.25	7	12.375	21
14.00	8	14.125	24
15.75	9	15.875	27
17.50	10	17.625	30
19.25	11	19.375	33
21.00	12	21.125	36
22.75	13	22.875	39
24.50	14	24.625	42
26.25	15	26.375	45
28.00	16	28.125	48
29.75	17	29.875	51
31.50	18	31.625	54
33.25	19	33.375	57
35.00	20	35.125	60
36.75	21	36.875	63
38.50	22	38.625	66
40.25	23	40.375	69
42.00	24	42.125	72
43.75	25	43.875	75
45.50	26	45.625	78
47.25	27	47.375	81
49.00	28	49.125	84
50.75	29	50.875	87
52.50	30	52.625	90
54.25	31	54.375	93
56.00	32	56.125	96
57.75	33	57.875	99
59.50	34	59.625	102
61.25	35	61.375	105
63.00	36	63.125	108
64.75	37	64.875	111
66.50	38	66.625	114
68.25	39	68.375	117
70.00	40	70.125	120
71.75	41	71.625	123
73.50	42	73.625	126
75.25	43	75.375	129
77.00	44	77.125	132

Open Frame  
Floor

Solid Side  
Floor &  
Desk

Wallmount  
Surface &  
Recessed

Panels &  
Accessories

Thermal &  
Wire Mngmt