

## Features

- Reinforced shelf mounts an extended keyboard and supports a full size computer monitor in 19"W racks that are a minimum of 27"D.
- Includes a rotating tray that provides innovative pull and swivel access/storage of an extended keyboard (by others) which is typically too wide for slide-out use in 19"W racks.
- Adjustable rear rails provide solid support.
- Ball-bearing slides assure smooth and full-extension accessibility to keyboard.
- Full length wrist pad and a right/left adjustable mouse pad extension surface provides user comfort and flexibility.
- Hinged front panel secures keyboard with two snap closures and optional keylock.
- Finished in durable black powder epoxy.

## Description

Lowell's Model L29K and L29KL (with lock) are reinforced keyboard/monitor shelves that are engineered to mount an extended keyboard and support a full-size computer monitor or other equipment. Heavy-duty assembly features a slide out shelf with a rotating tray to accept a typical extended keyboard (18"W - by others). Simply mount the keyboard to the tray and swivel into user or storage position. When the shelf is closed, two snap closures secure the hinged front panel. A standard keylock is also available for applications where security is specified; suffix -L.

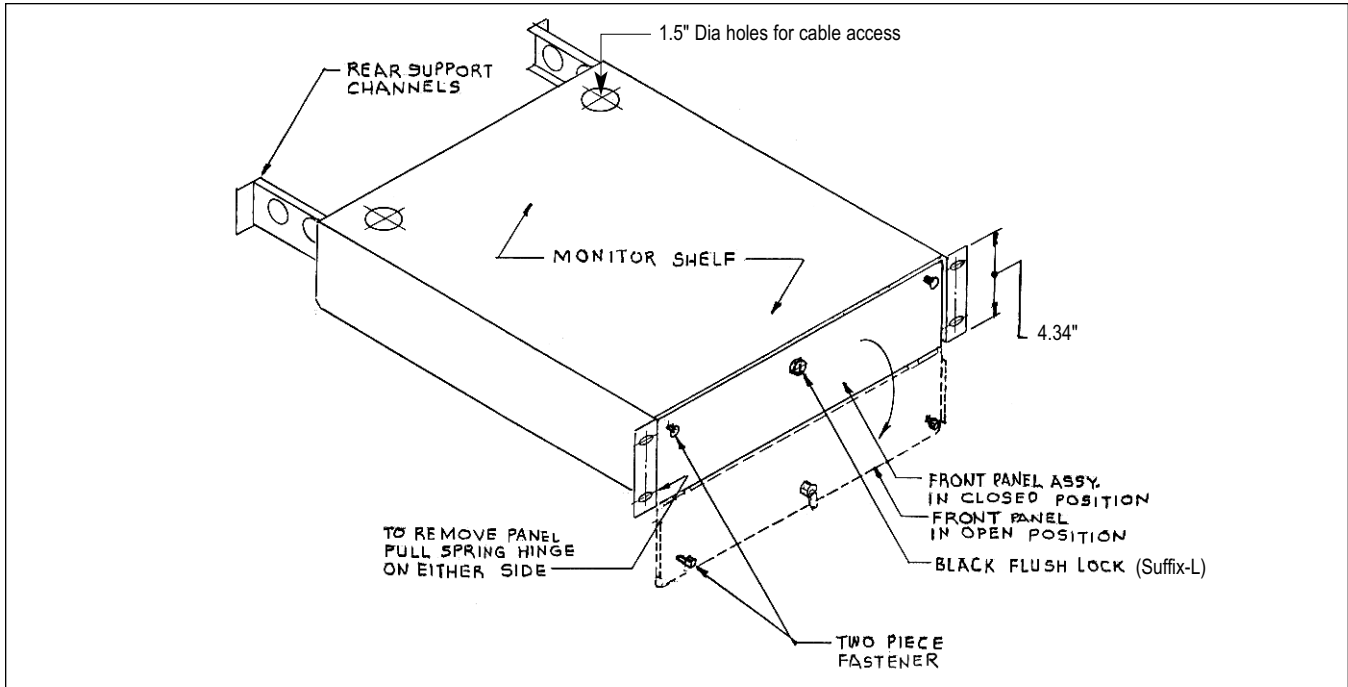
For user comfort and flexibility, each keyboard shelf also includes a full-length wrist pad and a mouse pad extension that slides for right- or left-hand use. Two drawer cavities under the keyboard area provide storage for accessories and most styles of computer mice. Assembly is 19"W x 20"D with 16" forward extension. It mounts on front and rear rails and is reinforced on the top for supporting heavy equipment. Panel space is slightly larger than 2RU (4.34"H) yet shouldn't pose a space problem as the top shelf is designed to support monitors of varying heights. Finish is black powder epoxy.

## A & E Specifications

The keyboard/monitor shelf for 19"W rackmount use shall be Lowell Model L29K with hinged snap closure panel or L29KL with hinged snap closure panel and lock. The shelf shall mount a typical extended keyboard (18"W) and be capable of supporting a full-size computer monitor. The shelf shall be 20D with 16" front extension and a panel space height of 4.34" (2+RU). The assembly shall include a full length wrist pad, right/left adjustable mouse platform. Construction shall be welded 16 gauge steel with ball bearing slides

### L29 SERIES KEYBOARD DRAWER SPECIFICATIONS

| Model | KeyLock | Description                                     | Overall Width | Overall Depth | Panel Space (Inches) | Panel Space (Rack Units) | Forward Extension | Rear Rail Extension | Weight | Load Rating |
|-------|---------|---|---------------|---------------|----------------------|--------------------------|-------------------|---------------------|--------|-------------|
| L29K  | No      | Keyboard drawer-shelf w armrest+ mouse platform | 19"           | 20"           | 4.34"                | 2+ RU                    | 16"               | 6"                  | 28 lbs | 70 lbs.     |
| L29KL | Yes     | Keyboard drawer-shelf w armrest+ mouse platform | 19"           | 20"           | 4.34"                | 2+ RU                    | 16"               | 6"                  | 28 lbs | 70 lbs      |



L29K Series keyboard/monitor shelf shown closed with hinged front panel, snap closures and optional keylock

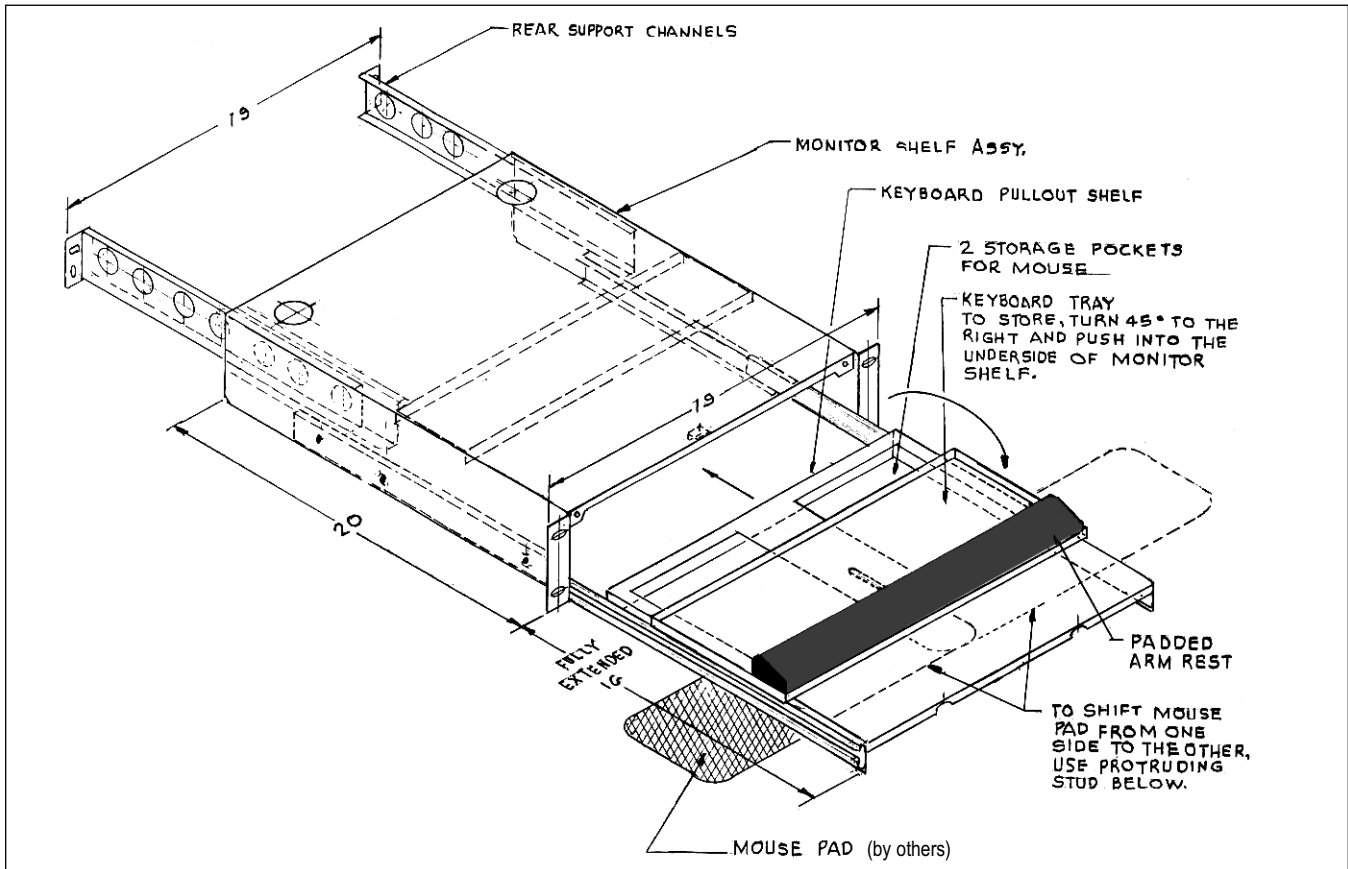
Open Frame Floor

Solid Side Floor & Desk

Wallmount Surface & Recessed

Panels & Accessories

Thermal & Wire Mngmt



L29K Series keyboard monitor shelf shown fully extended

19W Shelves - Keyboard